



PROPELLER

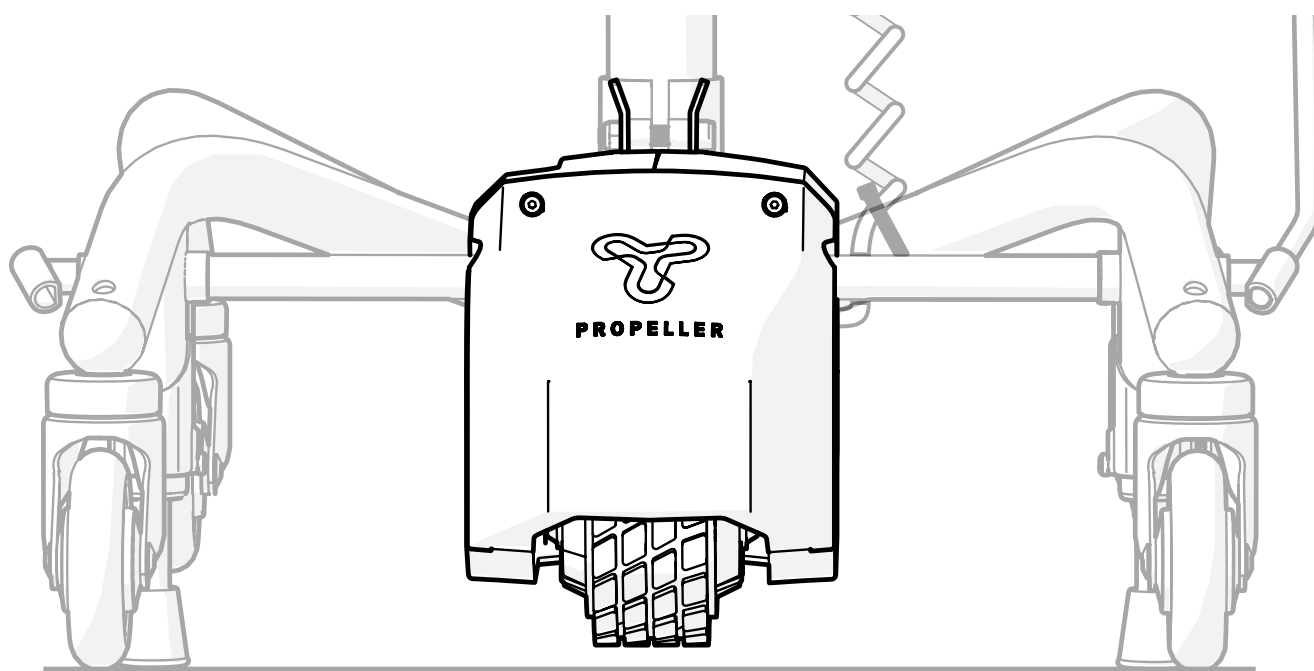
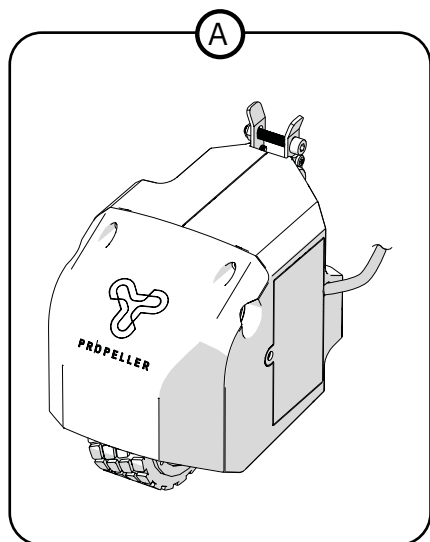


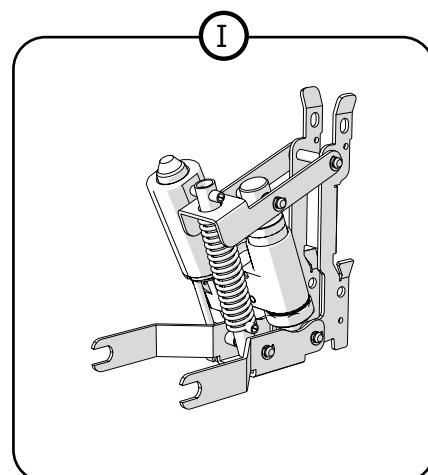
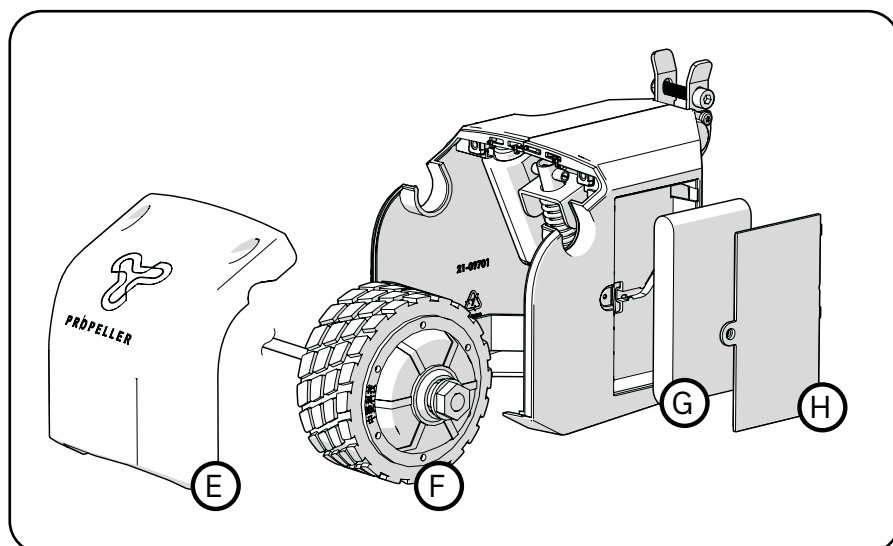
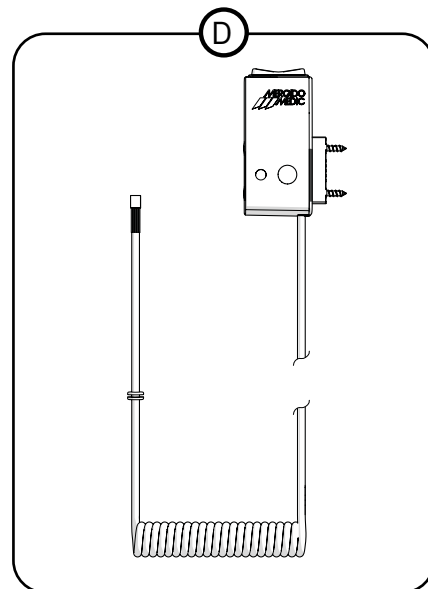
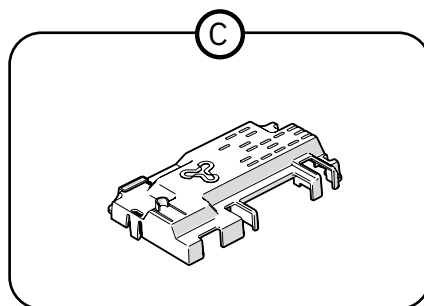
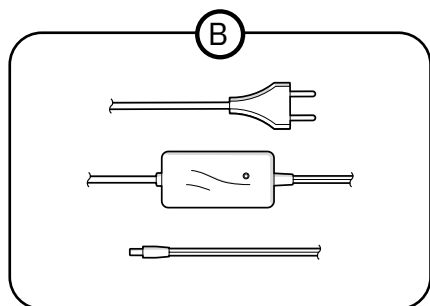
Table of content

1. Item list	3
2. Assembly instructions	4
2.1. Preparation of the chair	4
2.2. Necessary tools.....	4
2.3. Placement of Propeller.....	5
2.4. Secure the Propeller.....	6
2.5. Attach the upper cover.....	7
2.6. Mount the control box	8
2.7. Guidelines for Cable Management	9
3. Battery Replacement	10
3.1. Replace the battery	11
4. Replacement of Drive Wheel	12
5. Chassis Replacement	15
6. Destruction and recycling	16

1. Item list



- (A) PA1010 Battery Li-Ion 25,9V 2600mAh 7S1P w contact
- (B) 805404 Battery charger 29,4V DC 0,56A 7-cell Li-Ion (EU)
- (C) 805453 Propeller Chassis cpl
- (D) 805431 Propeller Housing, Rear Cover
- (E) 805421 Propeller drive wheel w hub motor cpl
- (F) 805429 Propeller Battery Lid cpl
- (G) 805397 Control box f Propeller w cable cpl
- (H) 805430 Circuit board for Propeller
- (I) 805414 Power assist for base 9000 Plus 48



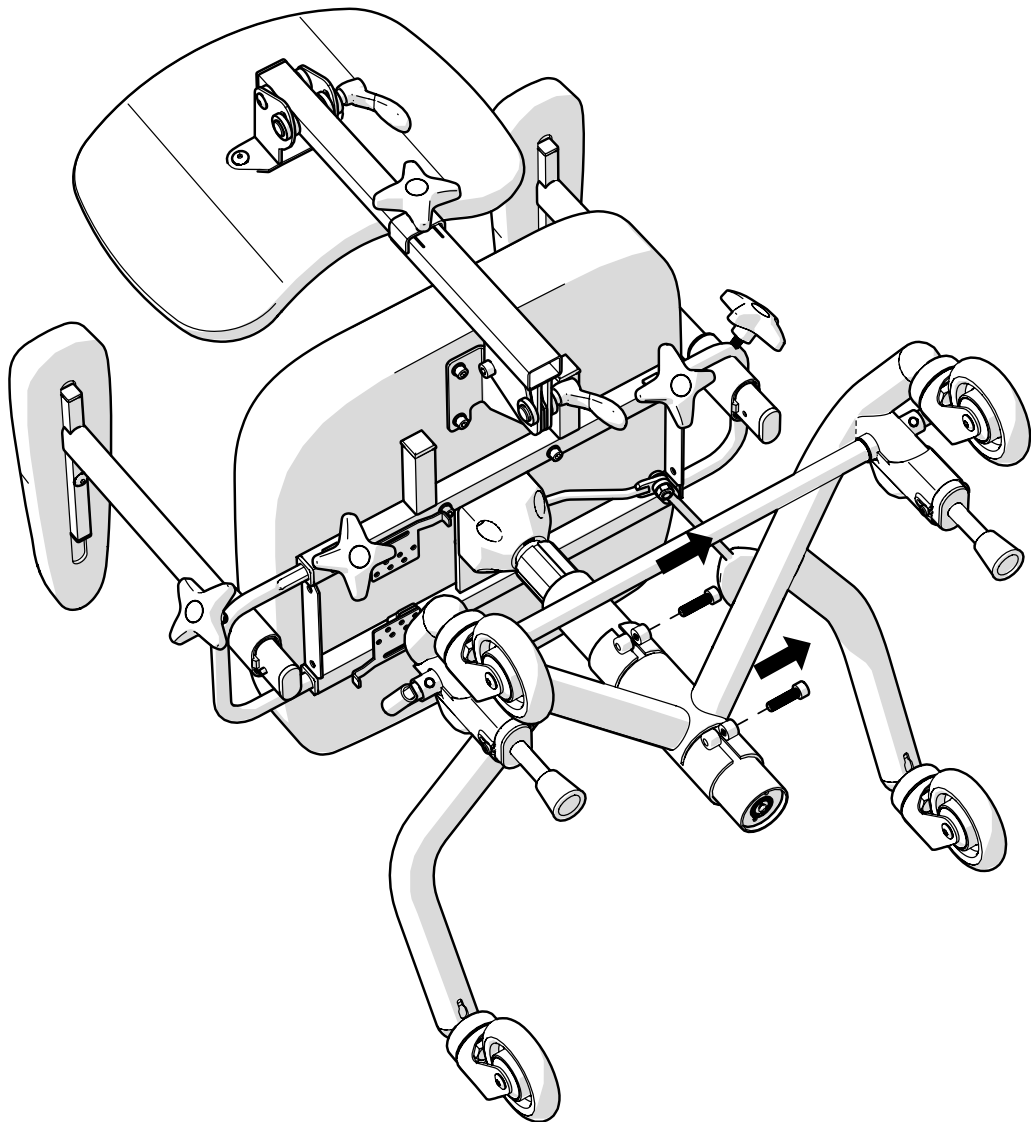
2. Assembly instructions

2.1. Preparation of the chair

Tilt the chair forward so that it rests on the front edge of the frame and the seat. Unscrew the screws in the clamp connections on the central tube of the frame (Allen key and ring spanner).

2.2. Necessary tools

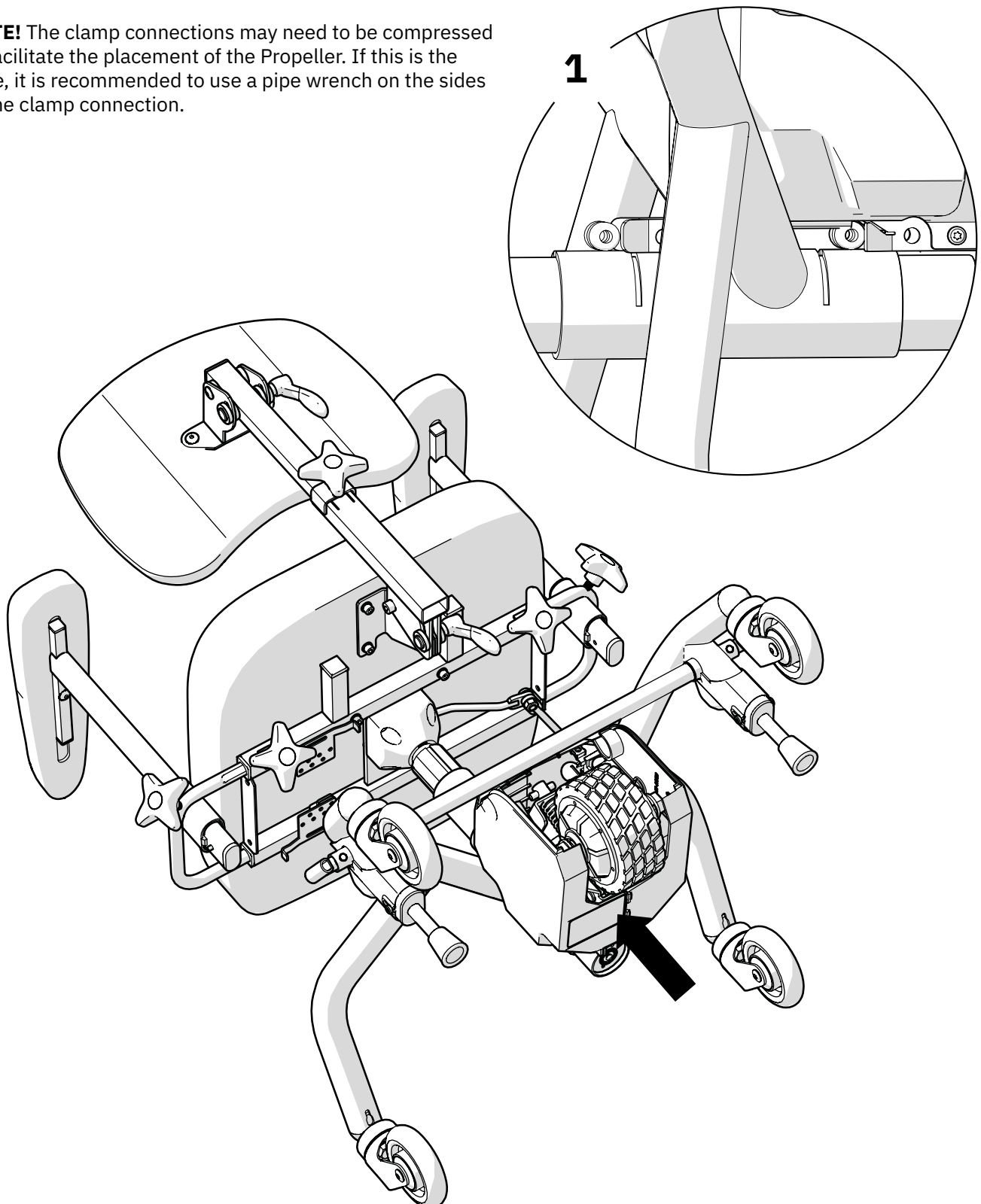
- 3mm and 6mm Allen keys
- TX10 Torx key
- 13mm and 22mm ring spanners
- Diagonal cutting pliers



2.3. Placement of Propeller

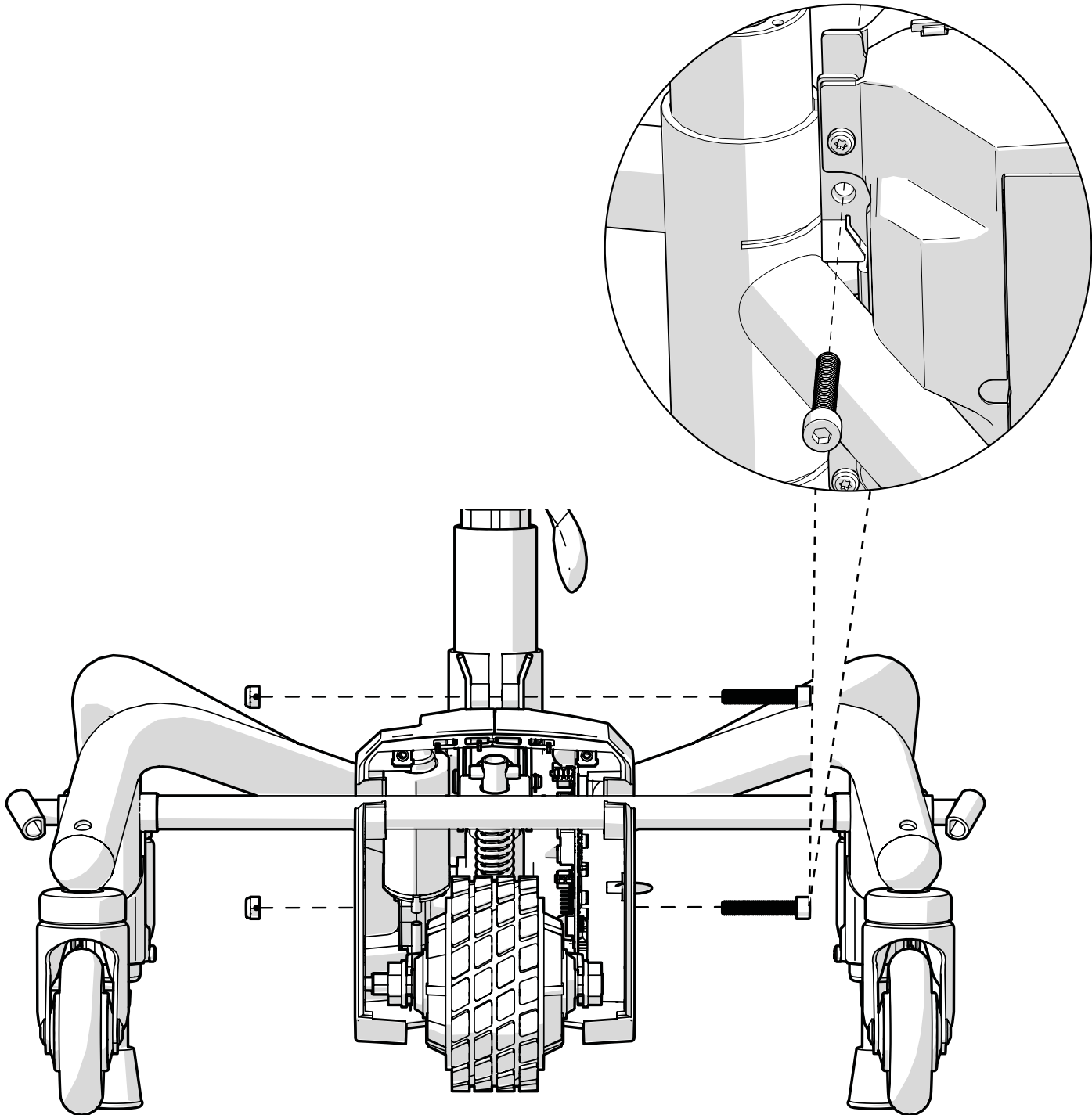
Remove the upper cover of the Propeller. Then, position the Propeller's mounts against the central tube of the frame as shown in image (1). Slide the Propeller unit forward so that the holes on the Propeller's mounts align with the holes on the frame's clamp connections..

NOTE! The clamp connections may need to be compressed to facilitate the placement of the Propeller. If this is the case, it is recommended to use a pipe wrench on the sides of the clamp connection.



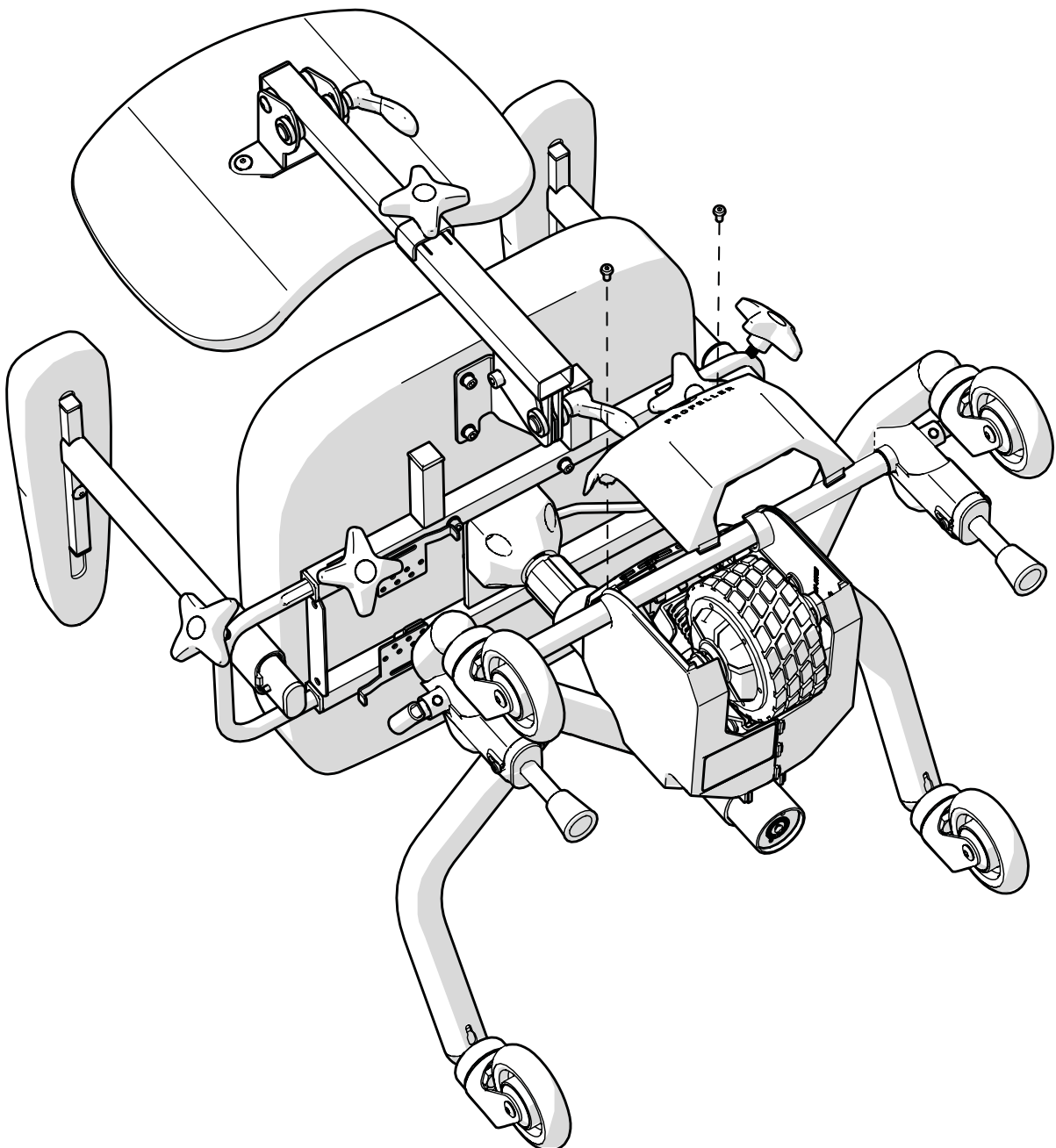
2.4. Secure the Propeller

- Fasten the Propeller and tighten the clamp connections using the supplied screws and nuts (6mm Allen key and 13mm ring spanner).



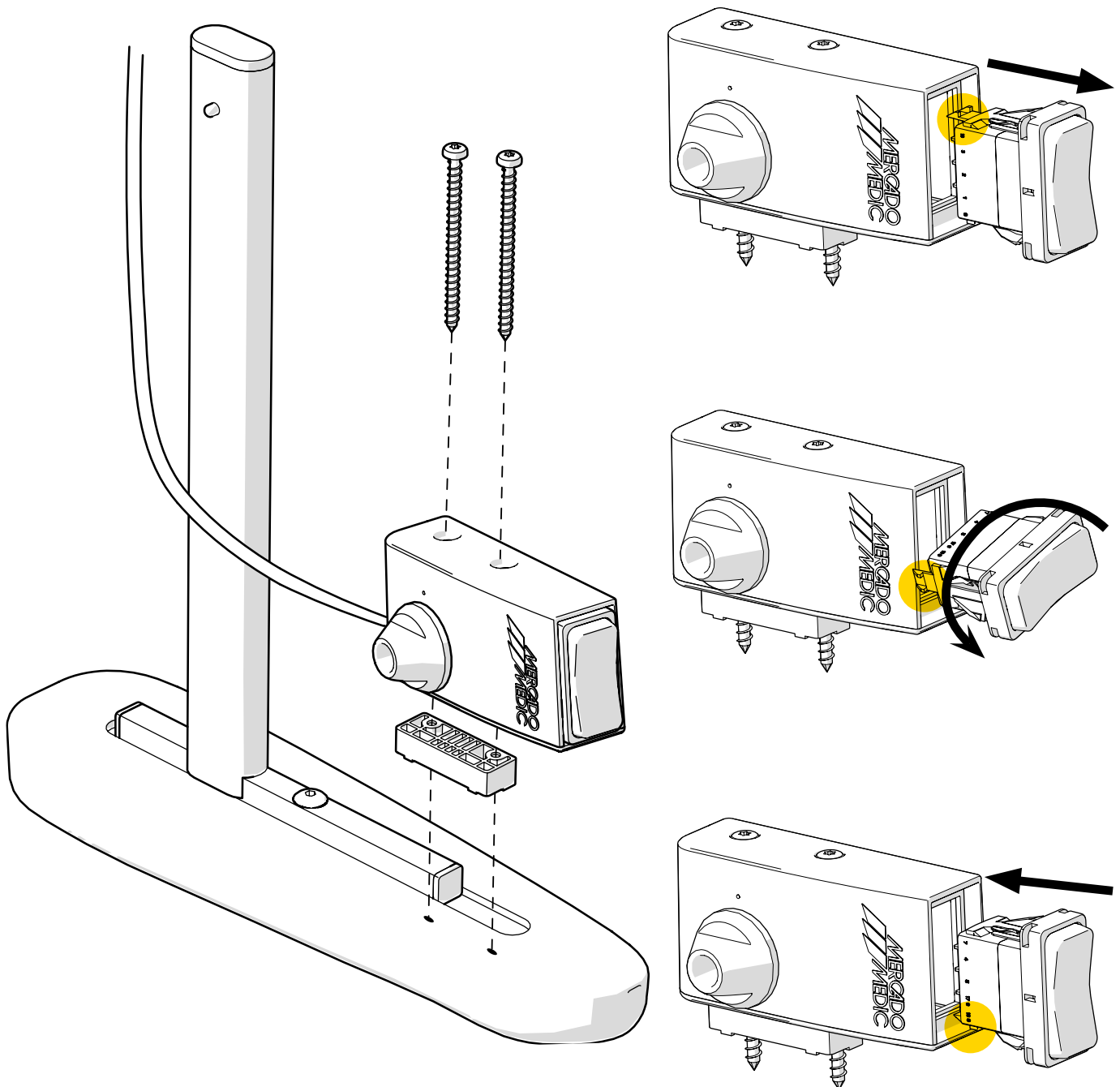
2.5. Attach the upper cover

- Attach the upper cover using the snap fasteners at the bottom edge of the cover and secure it with the supplied screw at the top edge of the cover.



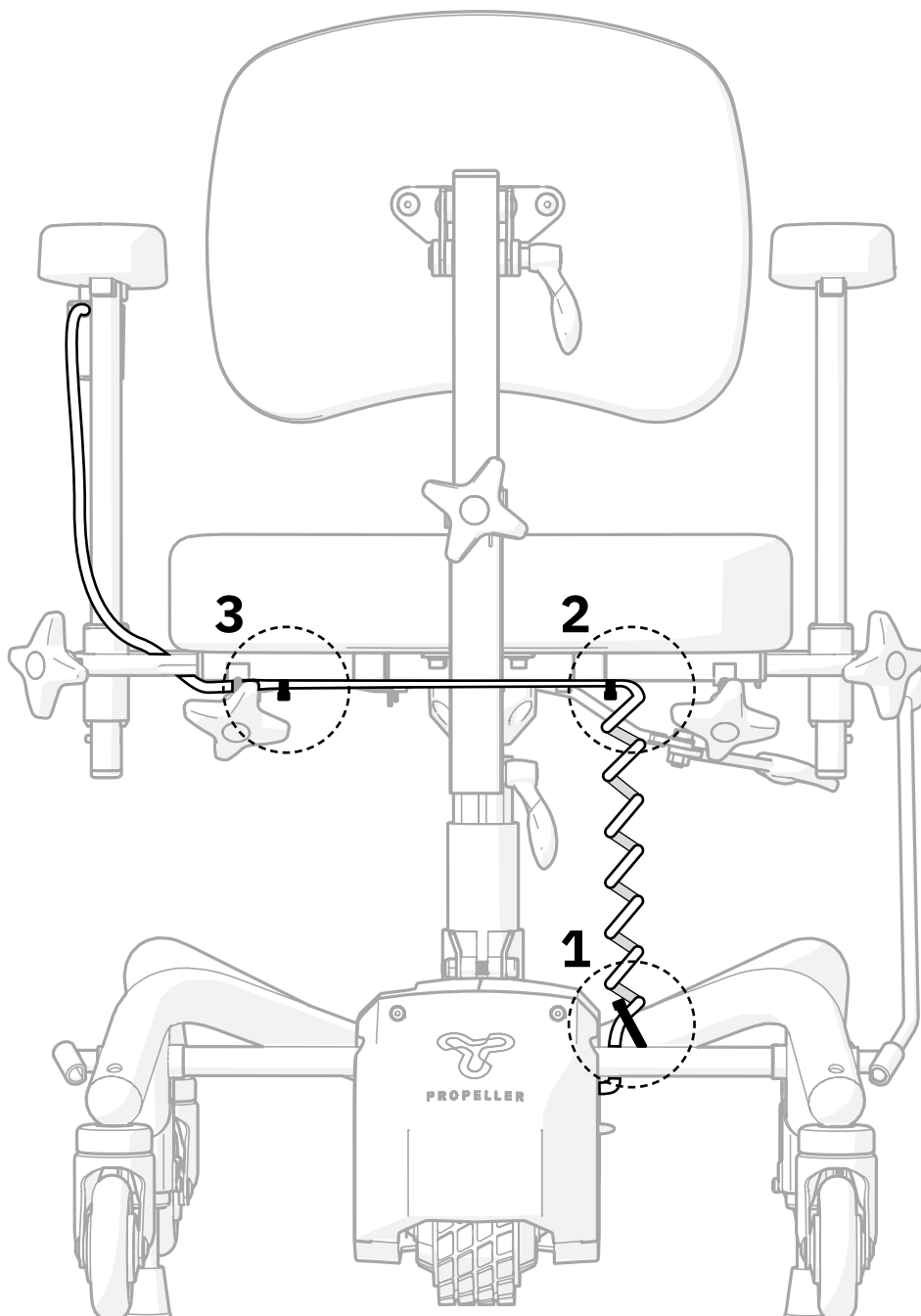
2.6. Mount the control box

Place the control box so that the button is just inside the front edge of the armrest. If the chair has armrests with the PLUS design, mount the control box with a spacer against the armrest (see image). For the MOBILE armrest plate, the spacer is not needed. Secure the control box with the supplied screws. If mounting the control box under the other armrest plate, the button must be reversed for the functions to work correctly.



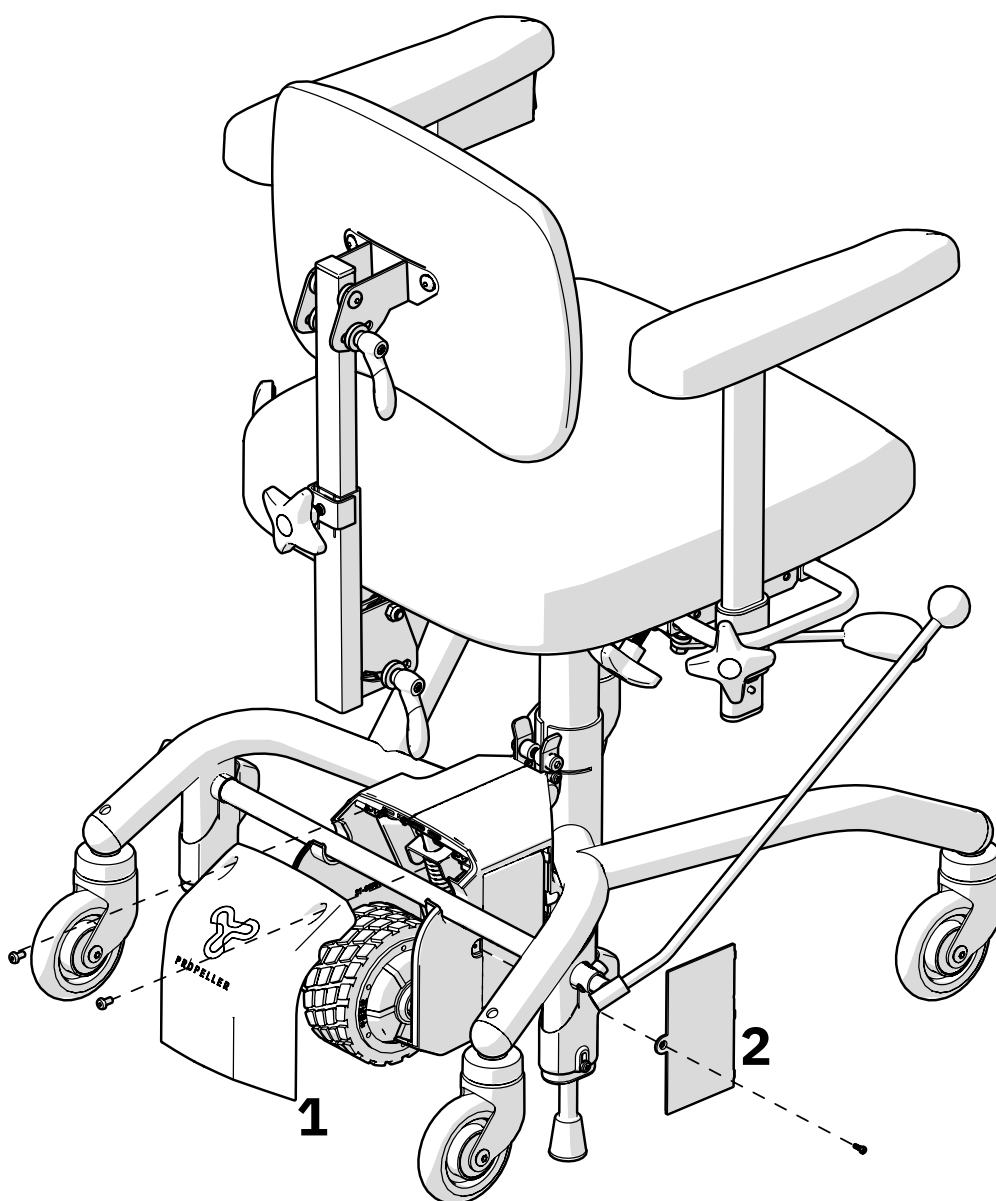
2.7. Guidelines for Cable Management

1. Attach the cable from the control box to the rear leg of the frame, below the cable's spiral section.
2. Secure the cable to the seat cross of the chair. If the chair is equipped with a tilt seat cross, ensure the cable is not exposed to pinch points.
3. Attach the cable to the seat cross on the side where the control box will be mounted. Any excess cable length can be gathered and secured here.



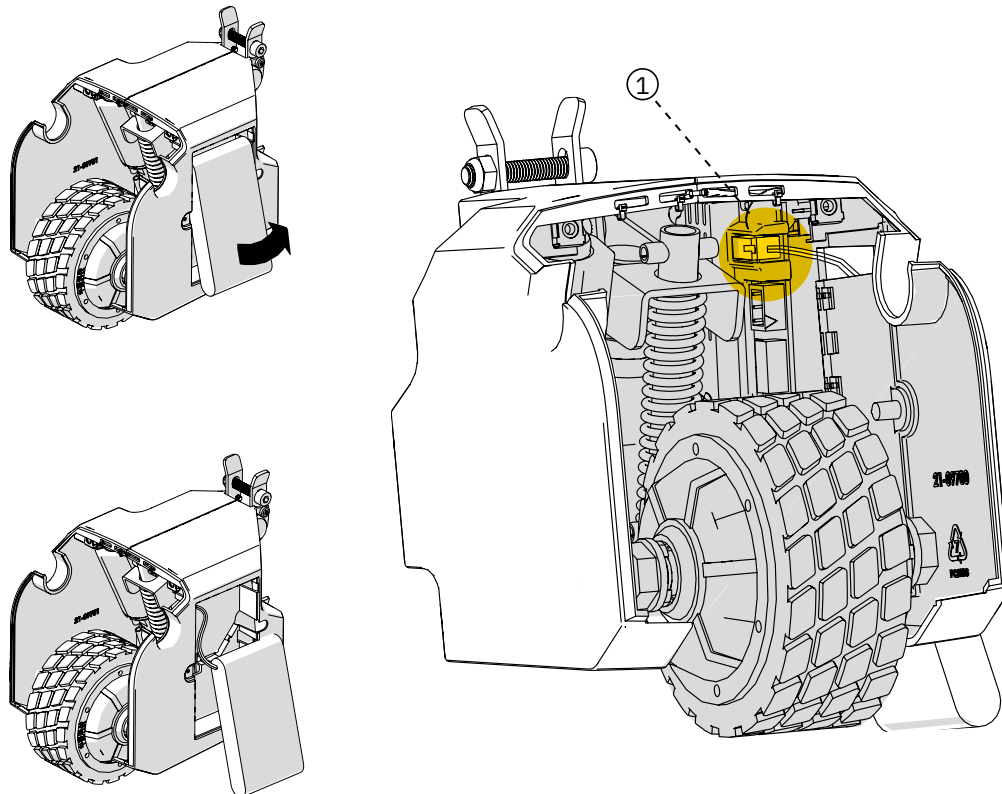
3. Battery Replacement

- Remove the rear cover (1) using a 3mm Allen key, and the battery cover (2) using a Torx key by loosening the screws.



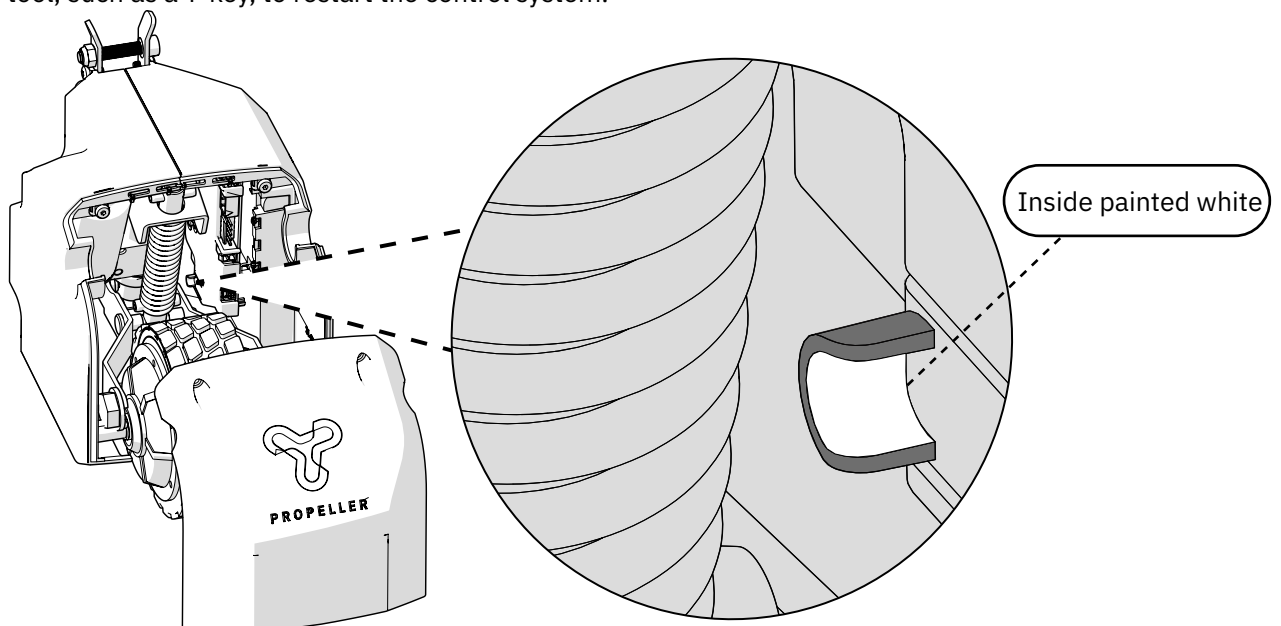
3.1. Replace the battery

1. Disconnect the connector (1) and then remove the battery.
2. Take the new battery and insert the connector (1), place the battery as shown in the image below, and reattach the covers.



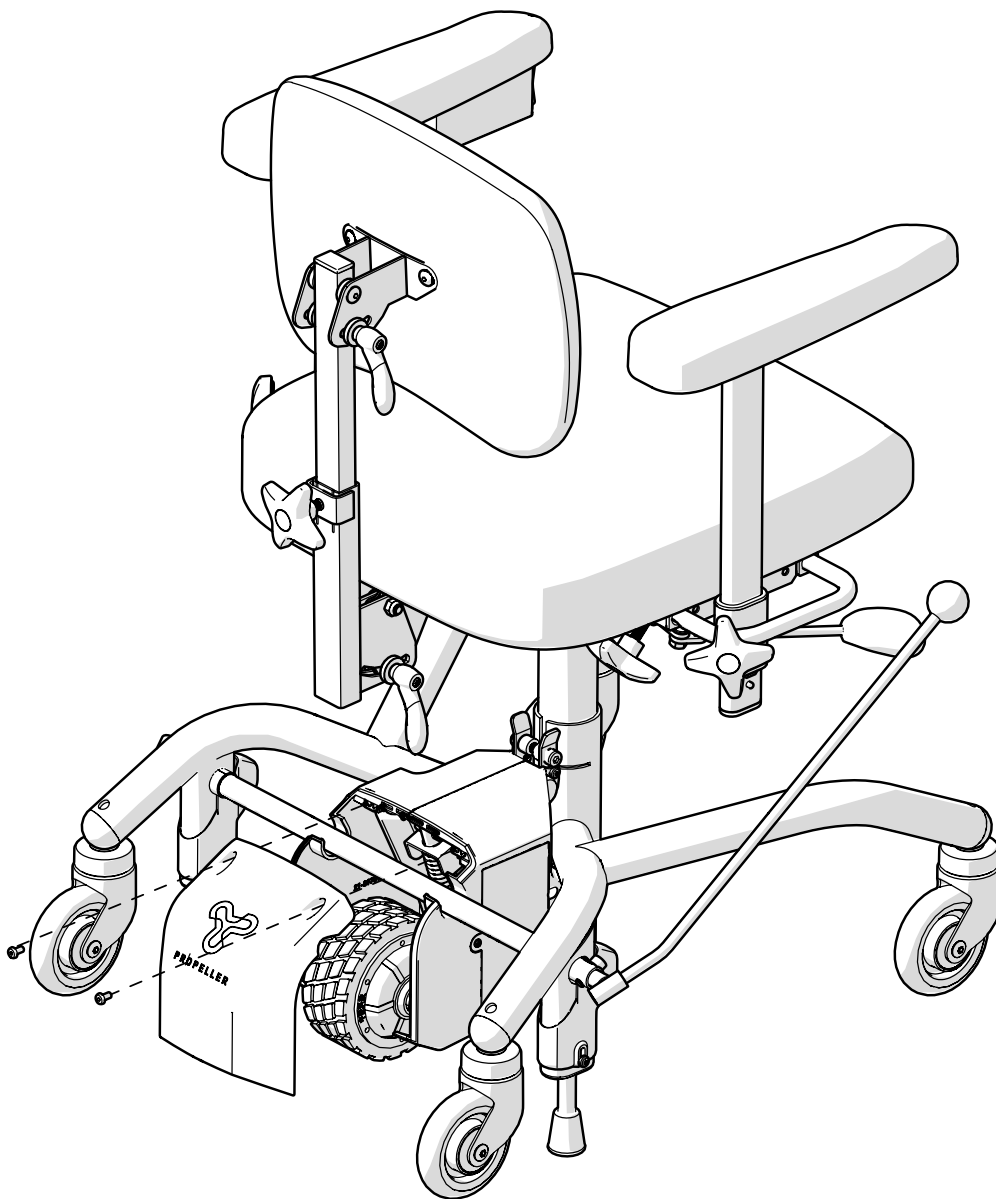
3.2. Reset

- If the Propeller does not function after, for example, a battery replacement, press the reset button with a long, narrow tool, such as a T-key, to restart the control system.

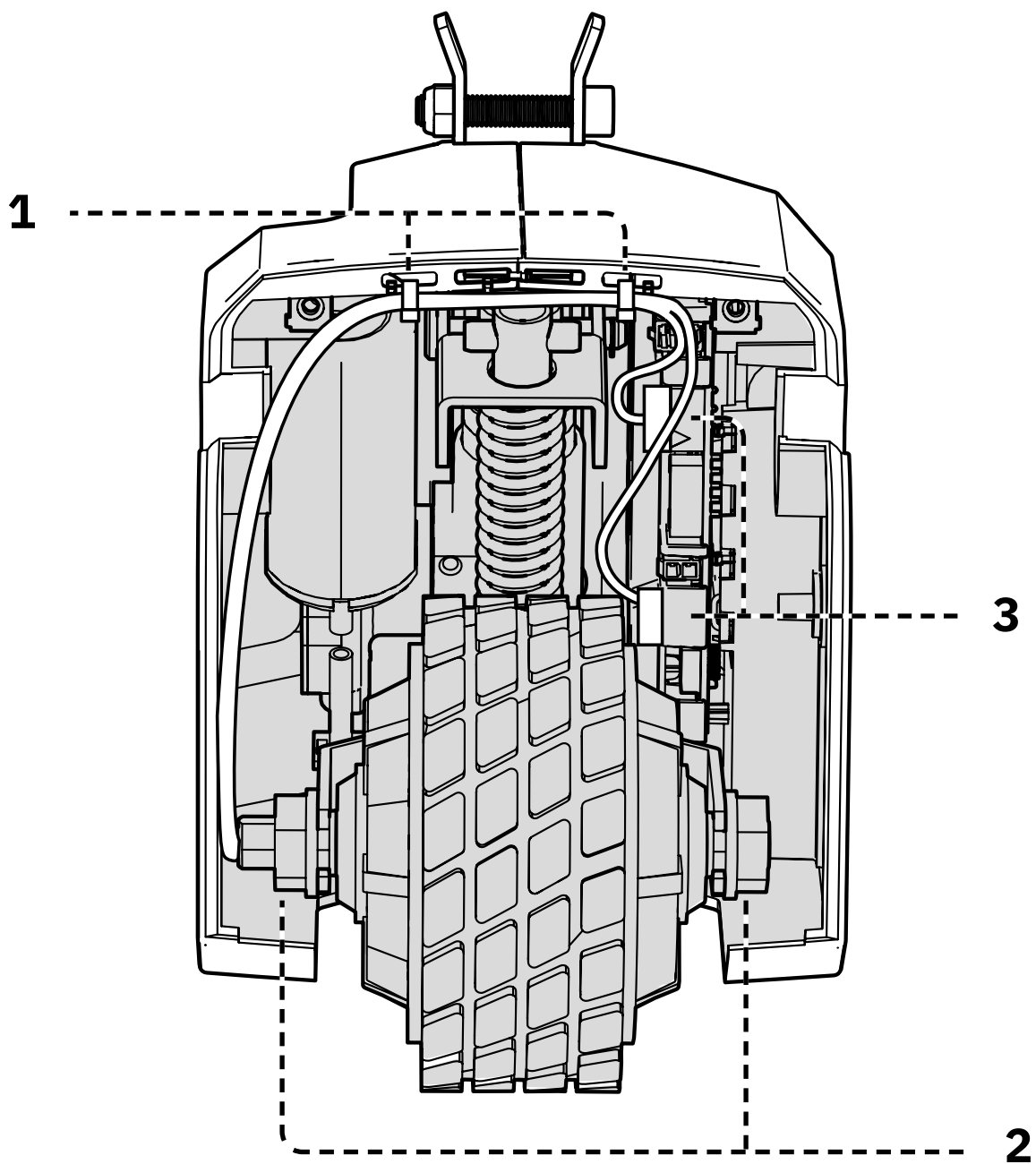


4. Replacement of driving Wheel

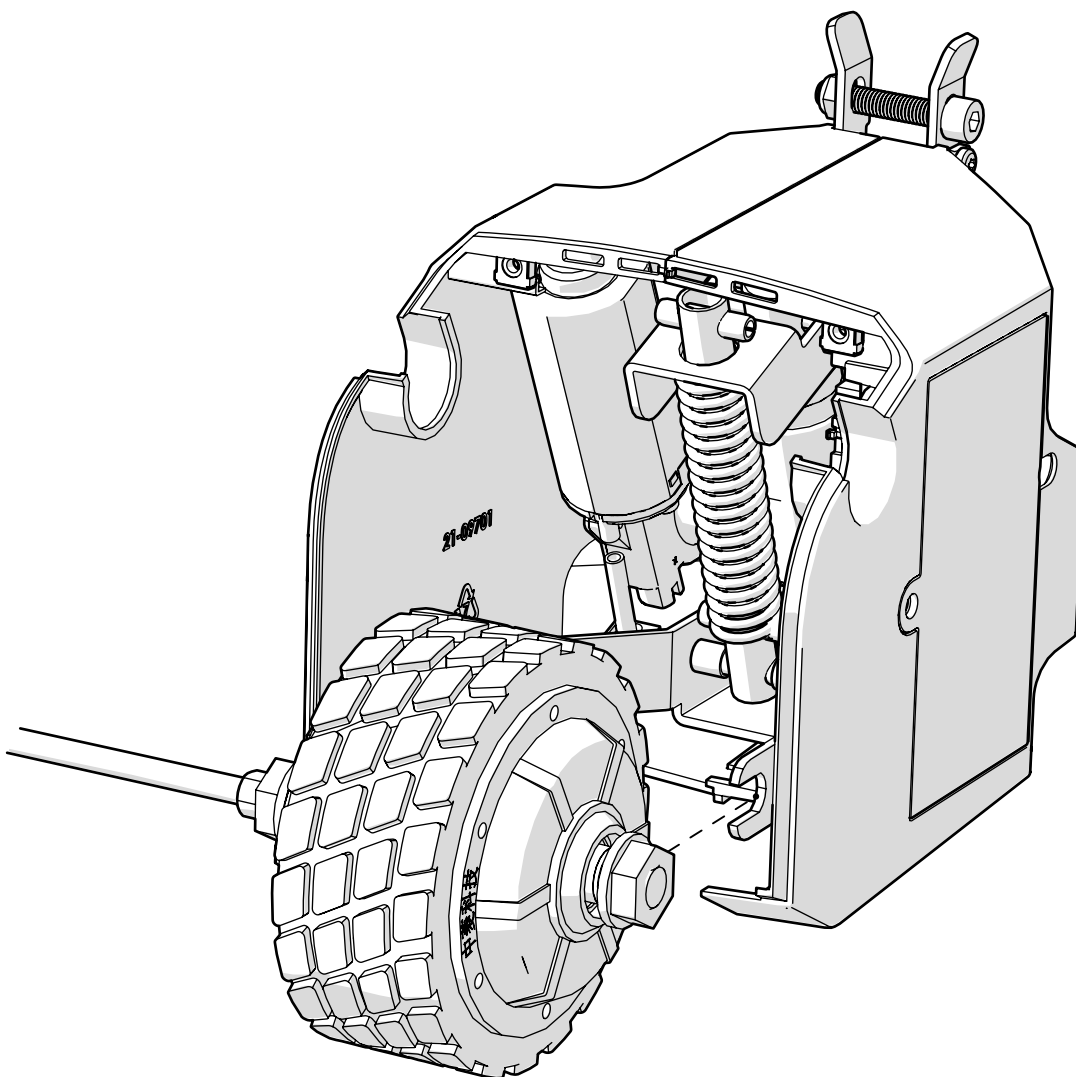
- Remove the rear cover using a 3mm Allen key by loosening the screws.



1. Cut the cable ties.
2. Loosen the wheel nuts using a 22mm ring spanner.
3. Disconnect the two connectors.

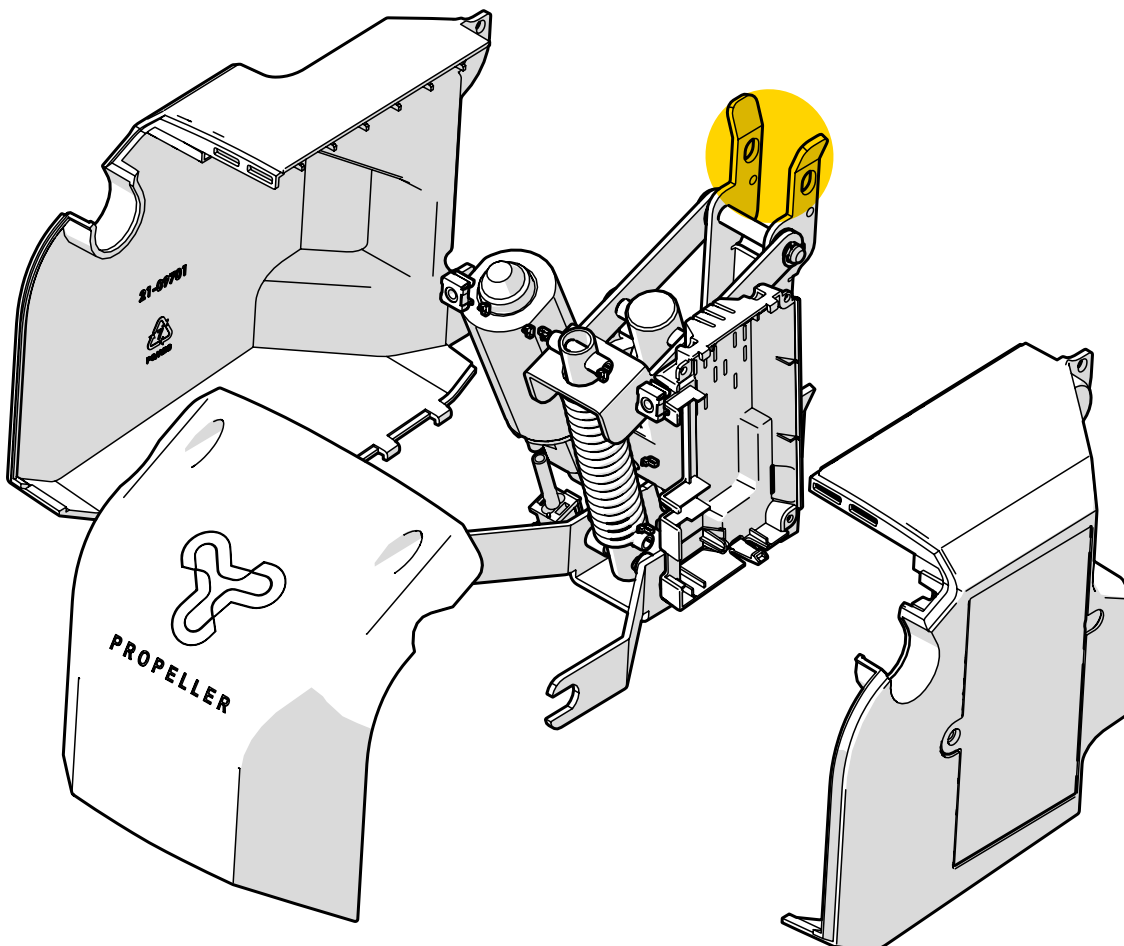


4. Pull the drive wheel backward to remove it.
5. Reconnect the connectors, tighten the nuts, and secure the cables with cable ties.
6. Install the new drive wheel.
7. Note: Ensure that the wiring is clear of the drive wheel.

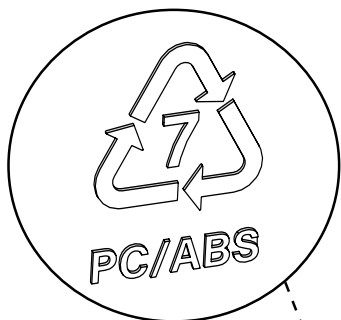


5. Chassis Replacement

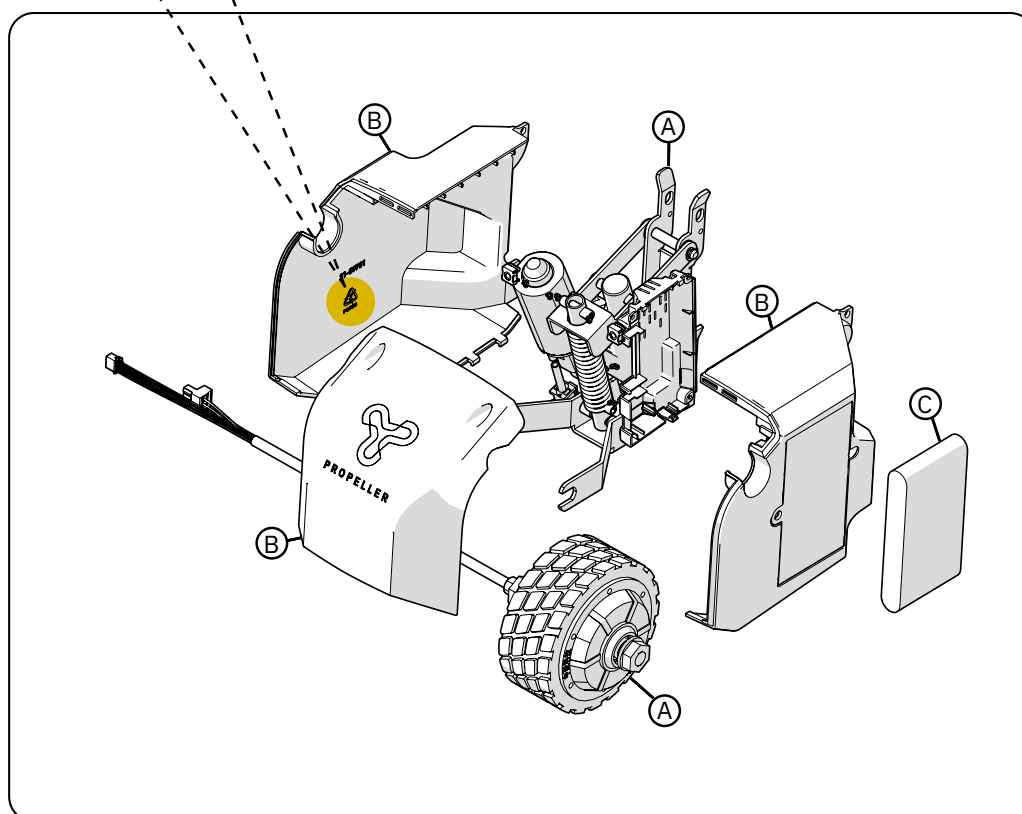
1. Remove the Propeller by loosening the clamp connection screws and nuts (6mm Allen key and 13mm ring spanner).
2. Remove the rear cover using a 3mm Allen key by loosening the screws.
3. Remove the drive wheel, see section 4. Replacement of Drive Wheel (p. 12).
4. Remove the side covers (3mm Allen key) and disconnect the cable from the battery.
5. Disconnect the actuator cable from the circuit board.
6. Replace with the new chassis and reassemble the Propeller in reverse order.



6. Destruction and recycling



- (A) Sorted as electronic waste
- (B) Sorted as plastic
- (C) Sorted as lithium battery



**MERCADO
MEDIC**

