



ENG

SCRIBA

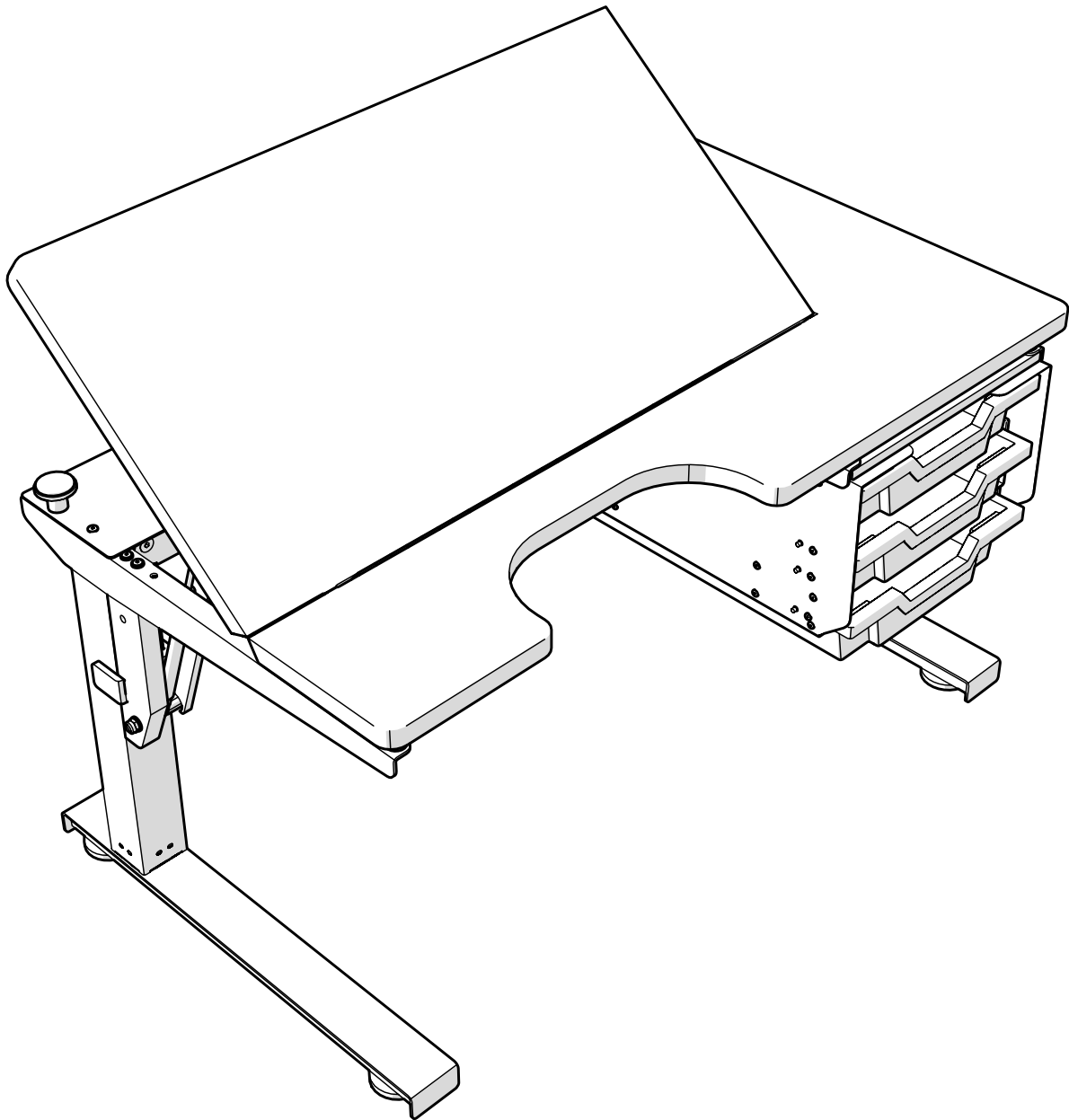


Table of contents

- 1. Important information 4
 - 1.1. Regarding use and environment 4
 - 1.2. Warnings 4
 - 1.3. Declaration of Conformity 4
- 2. Symbols on the product 5
- 3. Model list 6
- 4. Before use 8
 - 4.1. Leveling the table 8
- 5. Tabletop tilt 9
- 6. Height adjustment 10
- 7. Cleaning and maintenance 11
- 8. Destruction and recycling 11
 - 8.1. Combustible 11
 - 8.2. Metal 11



If you have any questions about your product or if something unexpected has happened, please contact your dealer first, otherwise you are welcome to contact Mercado Medic.

PDF versions of our operating and maintenance instructions with magnification options can be found on our website www.mercado.se.

We reserve the right to make changes to this manual and its contents.

1. Important information

1.1. Regarding use and environment

The table is intended for indoor use only and must not be used outdoors. The table must not be exposed to extreme cold or heat, prolonged sunlight or other radiation. The table must not be exposed to water, other fluids or chemicals. Warning: Metal surfaces can become very hot if they have been exposed to sunlight. The table must not be equipped with accessories or components other than the ones approved by Mercado Medic. To maintain the CE marking, modifications or changes must not be carried out without Mercado Medic's approval.

- Sufficient competence to use this product safely is obtained by carefully reading these instructions for use and care before using the table.
- Repairs and other technical measures may only be carried out by personnel authorised by Mercado Medic.
- Warranty period is two (2) years unless otherwise agreed. For warranty cases, please contact Mercado Medic.
- Expected service life is ten (10) years.
- Loose parts must be secured prior to transportation.
- Depending on configuration, the table weighs 25-45 kg.
- The table does not generate noise levels above 70 db (A)
- The table is intended for use between +5 and +40°C and 15% to 90% non-condensing humidity.

1.2. Warnings

Some configurations have split table tops. Risk of crushing may occur when the tiltable part is lowered.

1.3. Declaration of Conformity

Mercado Medic hereby declare under our sole responsibility as a manufacturer that the product identified below,

Product name: SCRIBA

General Description: A height-adjustable desk with configuration possibilities providing drawers, different tabletop designs and a tilt mechanism for the tabletop. The product is designed, however not exclusively, for use by children in school environments.

conform to the provisions of the following EC directive and regulation:

Directive 2006/42/EC Machinery

The following relevant harmonised standards were applied in the design and development of the product:

- **SS-EN ISO 13857:2008**
- **EN 349 + A1:2008**
- **SS-EN ISO 14971:2012***
- **EN 614-1:2006 + A1:2009**

* The standard for risk assessment is harmonised with Directive 93/42/EC Medical Devices. Although the SCRIBA is not a medical device, Mercado Medic AB is a manufacturer of medical devices and consider the standard to be appropriate and applicable.

2. Symbols on the product

In the list below, all symbols used on the product are presented and explained.



1. Follow instructions for use



3. Manufacturer



2. The product is part of a recycling process

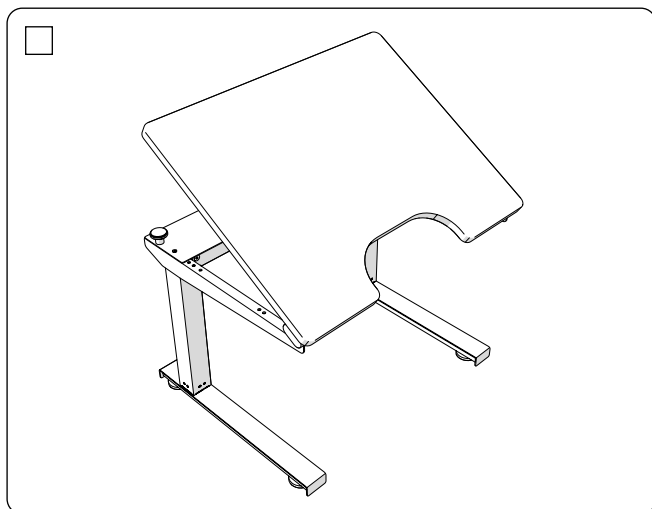


4. Risk of crushing. Any risks marked

3. Model list

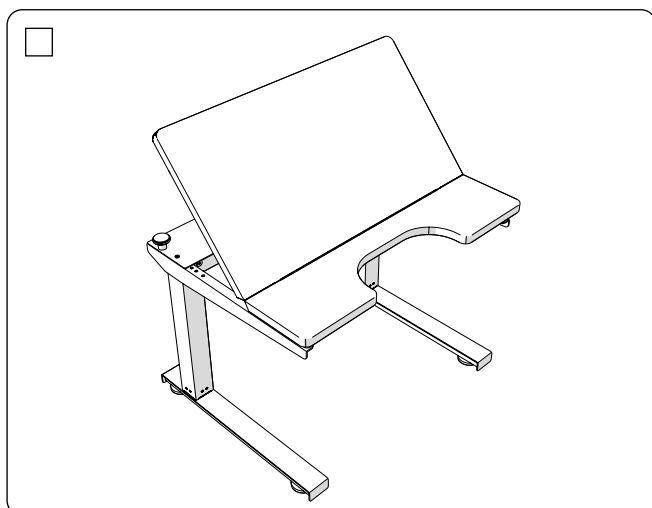
The delivered table model is marked below, along with optional design features.

- = Optional feature
- = Standard feature
- = Feature not available



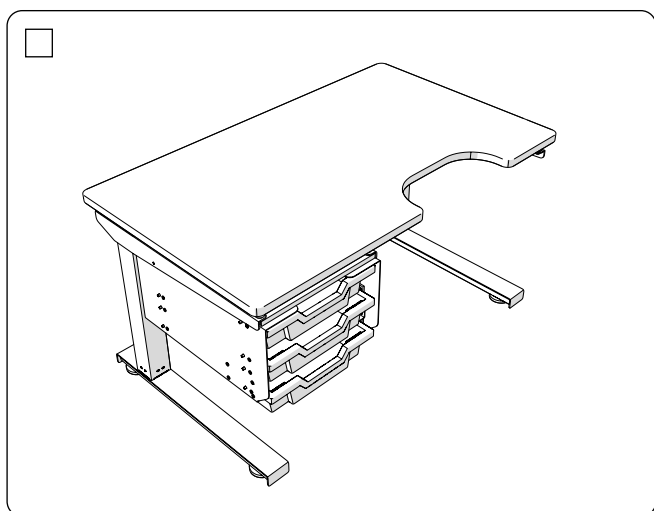
Scriba – 750x600mm

- Tilt:
- Cut-out offset: -
- Drawers: -
- Tabletop: Standard Magnetic



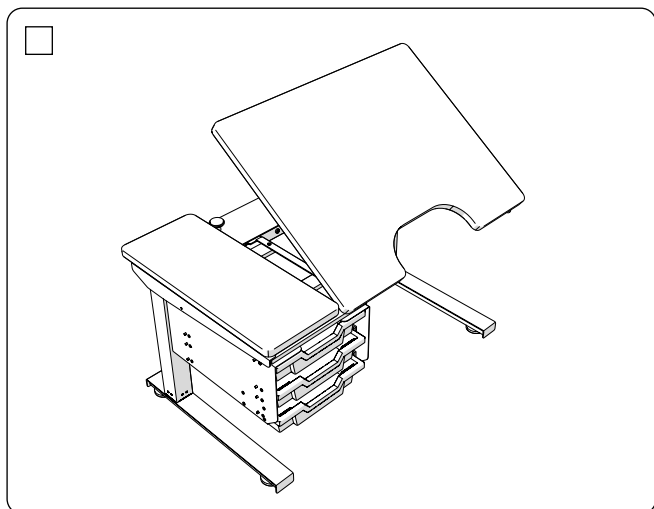
Scriba – 750x600mm

- Tilt:
- Cut-out offset: -
- Drawers: -
- Tabletop: - Standard Magnetic



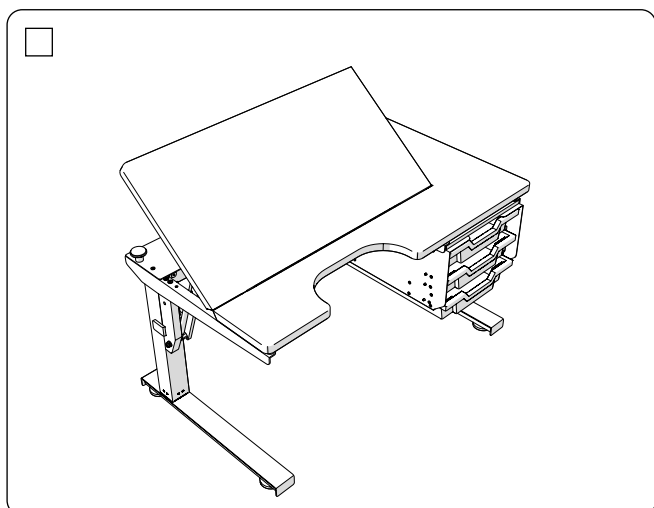
Scriba – 1000x600mm

- Tilt: -
- Cut-out offset: Left Right
- Drawers: Left Right
- Tabletop: Standard Magnetic



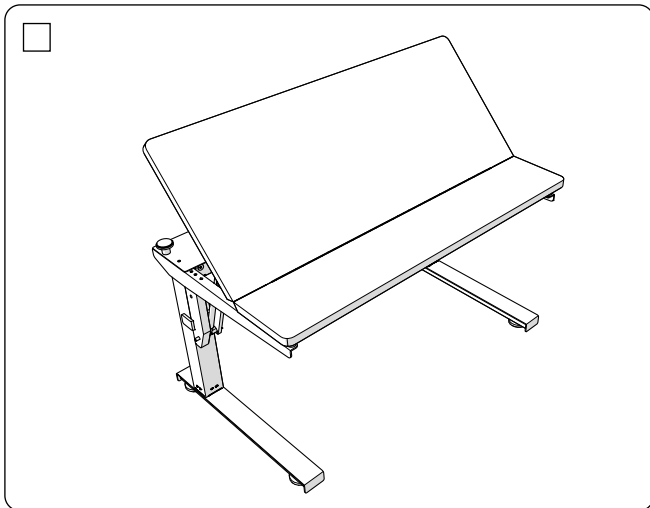
Scriba – 1000x600mm

- Tilt:
- Cut-out offset: Left Right
- Drawers: Left Right
- Tabletop: - Standard Magnetic



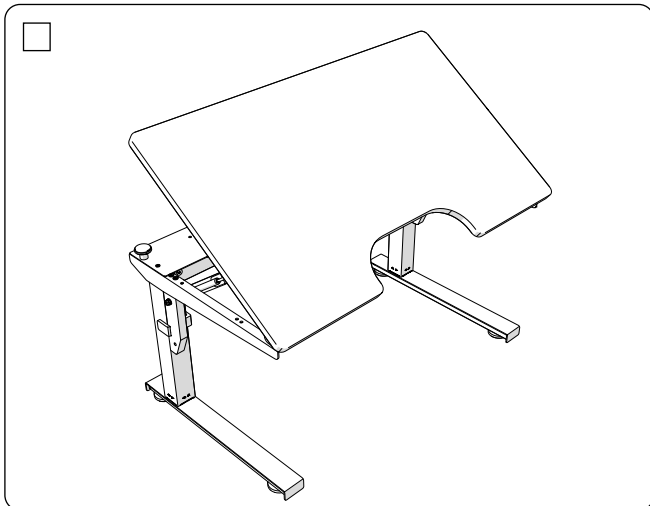
Scriba – 1000x600mm

- Tilt:
- Cut-out offset: Left Right
- Drawers: Left Right
- Tabletop: - Standard Magnetic



Scriba – 1000x600mm

- Tilt:
- Indent: -
- Drawer: -
- Material: - Standard Magnetic



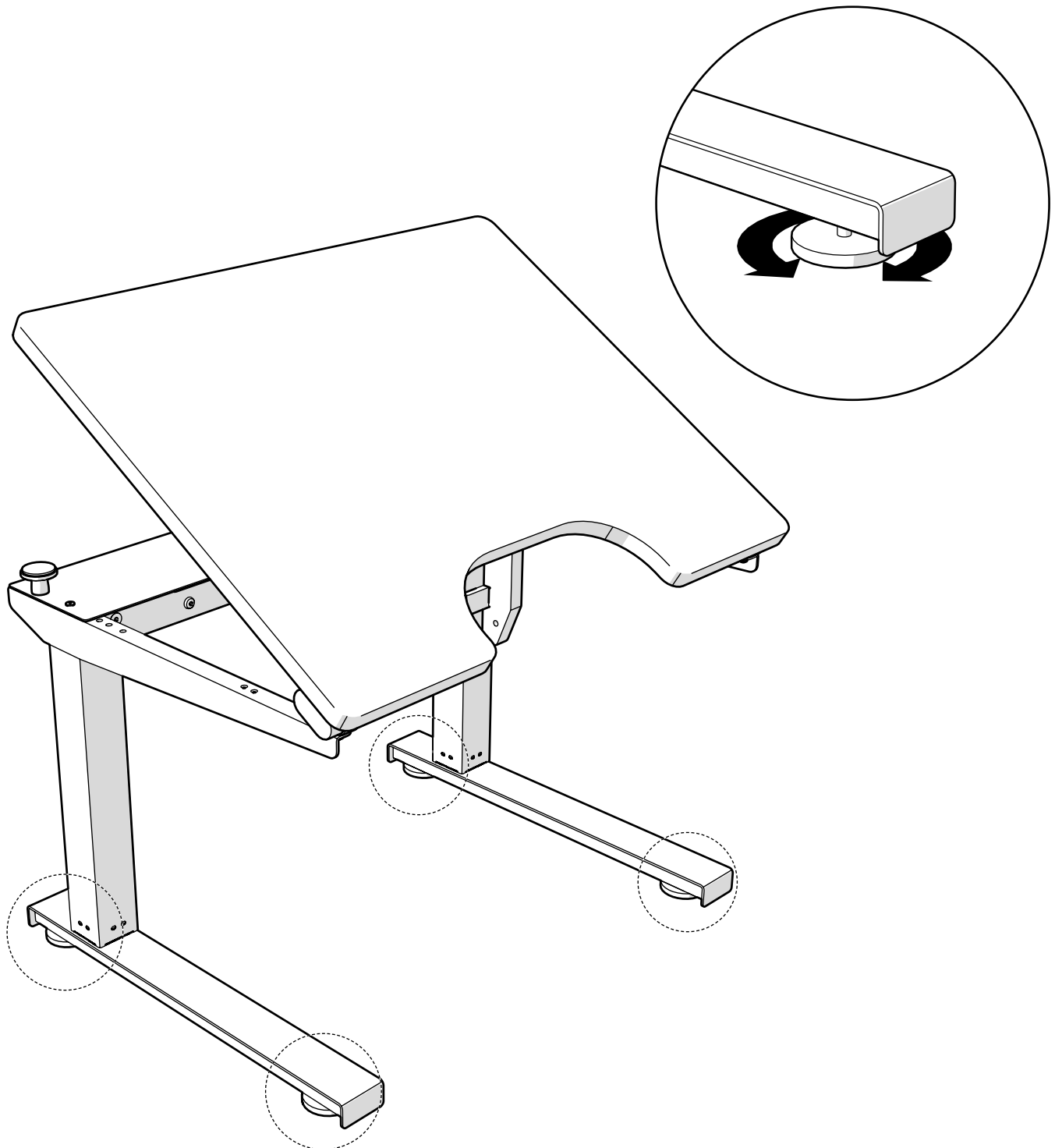
Scriba – 1000x600mm

- Tilt:
- Indent: 35x12 cm 30x12 cm
- Drawer: -
- Material: Standard Magnetic

4. Before use

4.1. Leveling the table

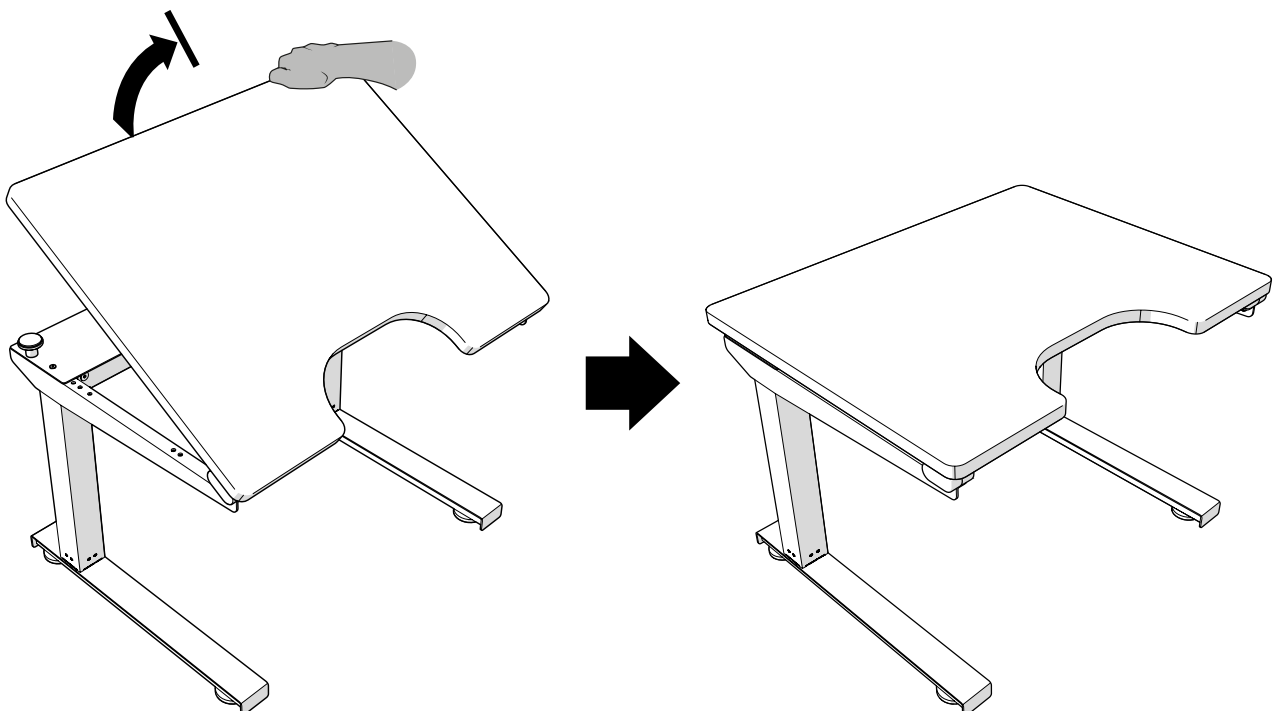
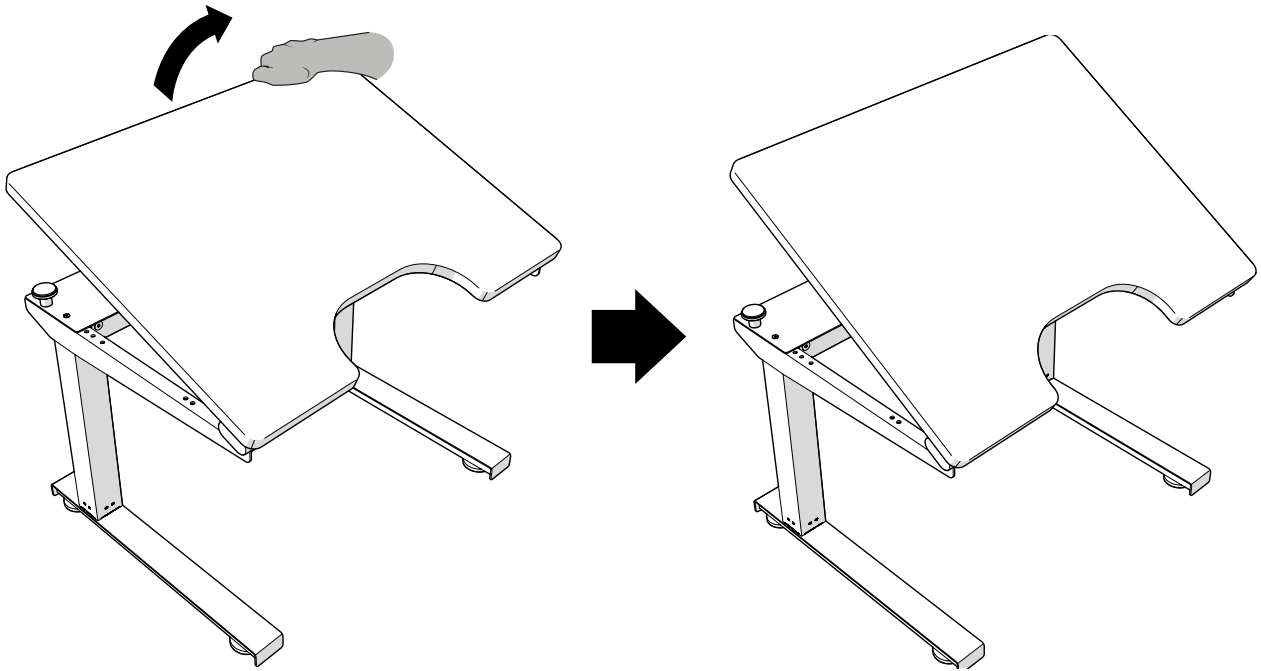
Level the table and ensure even weight distribution by adjusting the four supporting feet.



5. Tabletop tilt

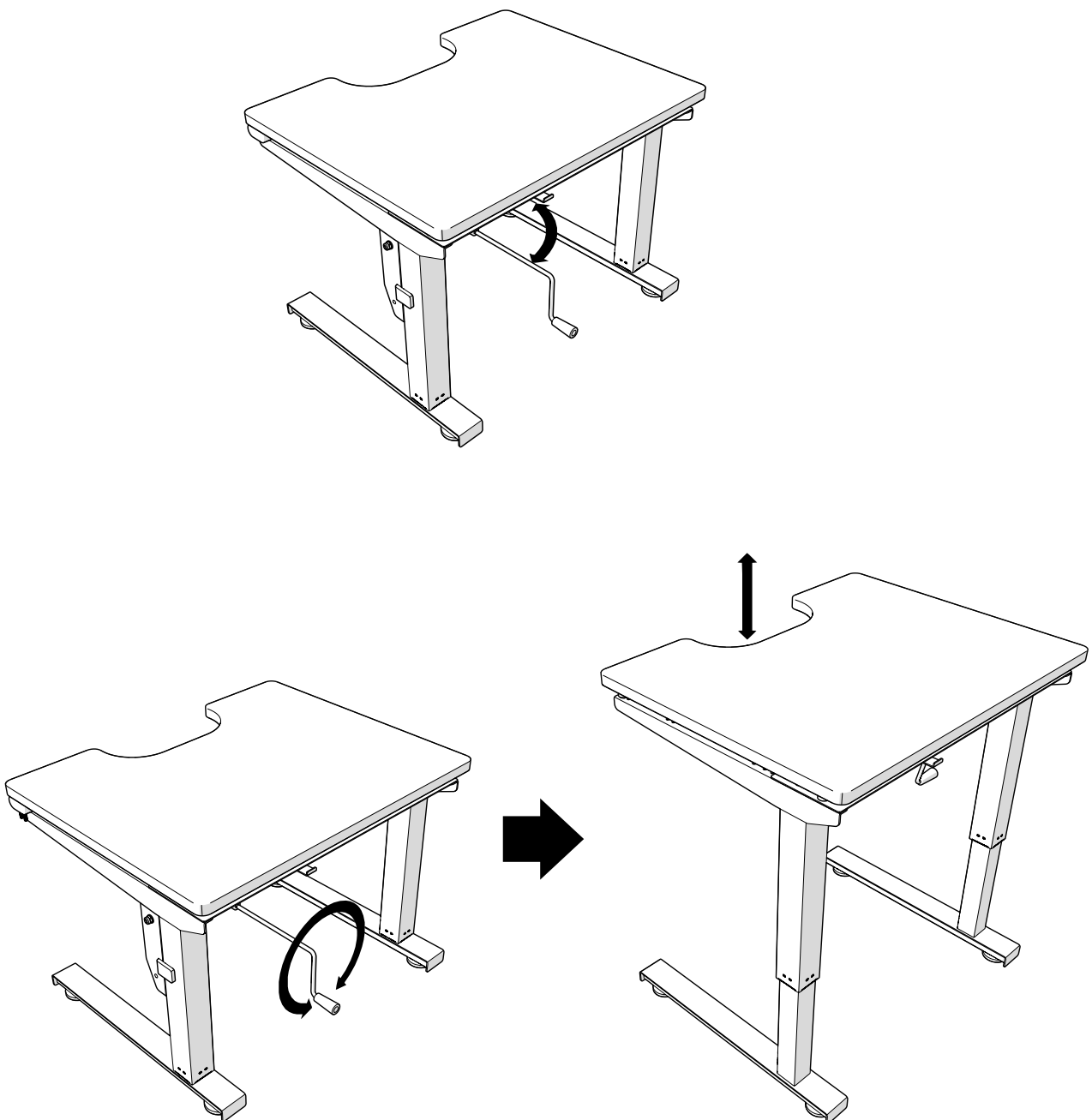
The tabletop tilt is adjustable in steps. To raise it, simply pull the tabletop to the desired angle and let it go.

To lower the tabletop, pull it to its maximum tilt and let go. The locking mechanism will be disengaged and the tabletop should slowly descend.



6. Height adjustment

The table is equipped with a crank. Rotating the crank clockwise raises the table. Rotating the crank counter-clockwise lowers the table.



7. Cleaning and maintenance

- The table should be wiped down and kept clean from dust and dirt.
- The table should be washed using a disinfectant with PH 7–12 (concentrated).
- No preventative maintenance is needed.

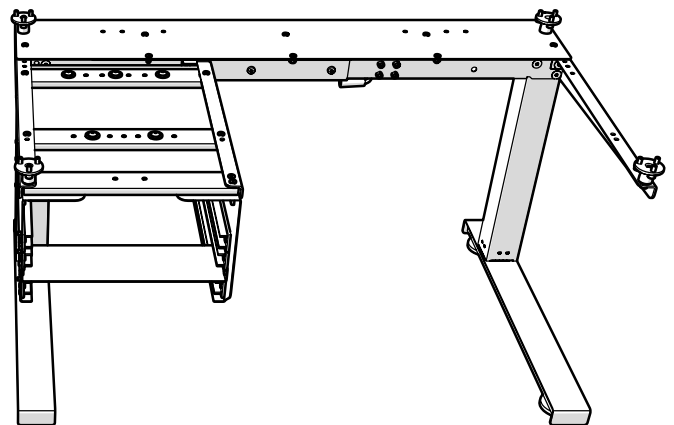
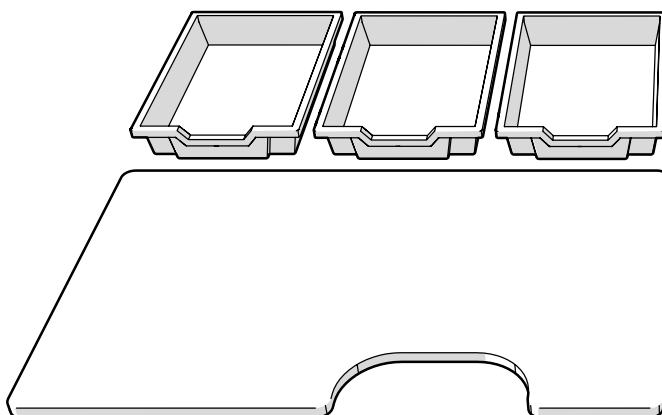
8. Destruction and recycling

8.1. Combustible

- Tabletop
- Drawers

8.2. Metal

- Frame
- Gas spring
- Other metal parts in products sold by Mercado Medic



Contact information

Mercado Medic Nederland BV



Mercado Medic Nederland BV

Nobelweg 22

3899 BN Zeewolde



Phone: +31 36 521 99 95

Fax: +31 36 521 99 90



www.mercado-medic.nl

admin@mercado-medic.nl

Room for product label
with serial number.



Mercado Medic AB
Tryffelslingan 14
SE-181 57 Lidingö
SWEDEN

Phone: +46 8 555 143 00
E-mail: info@mercado.se