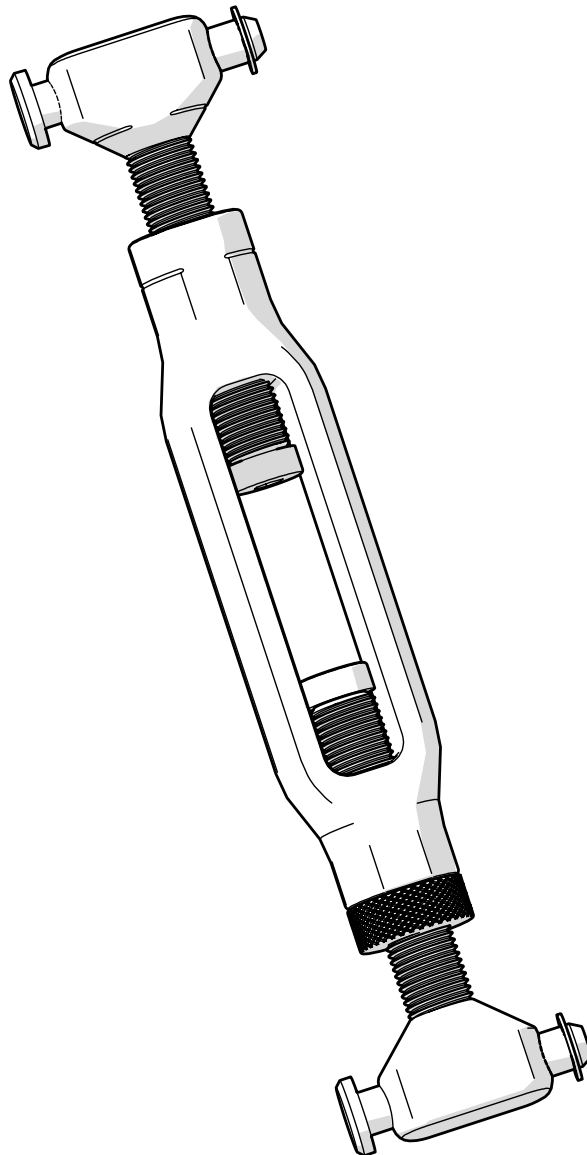




ENG

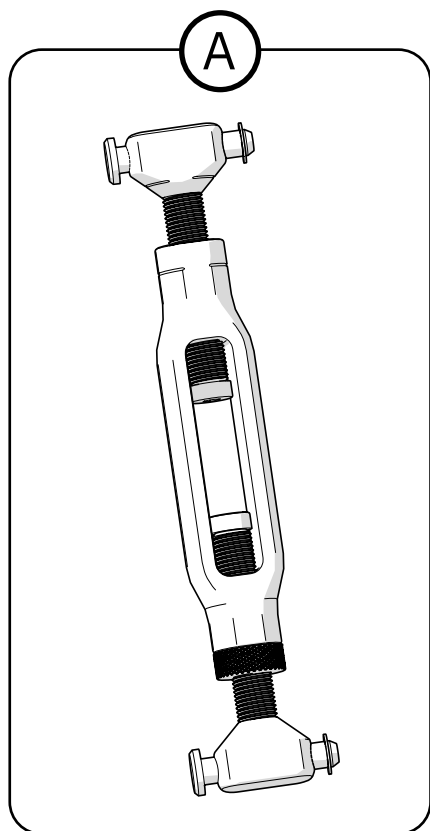
MANUAL CRANK ADJUSTMENT UNDER SEAT



Innehållsförteckning

1. Artikellista	3
2. Monteringsinstruktion	4
2.1. Positionering av vev	4
2.2. Säkring av vev	5
2.3. Resultat – Monterad vev på sittkryss.....	6
3. Användning & anpassning	7
3.1. Justering	7
4. Destruktion & Återvinning	8

1. Item list



Ⓐ SAR60 Manually adjusted seat tilt by seat

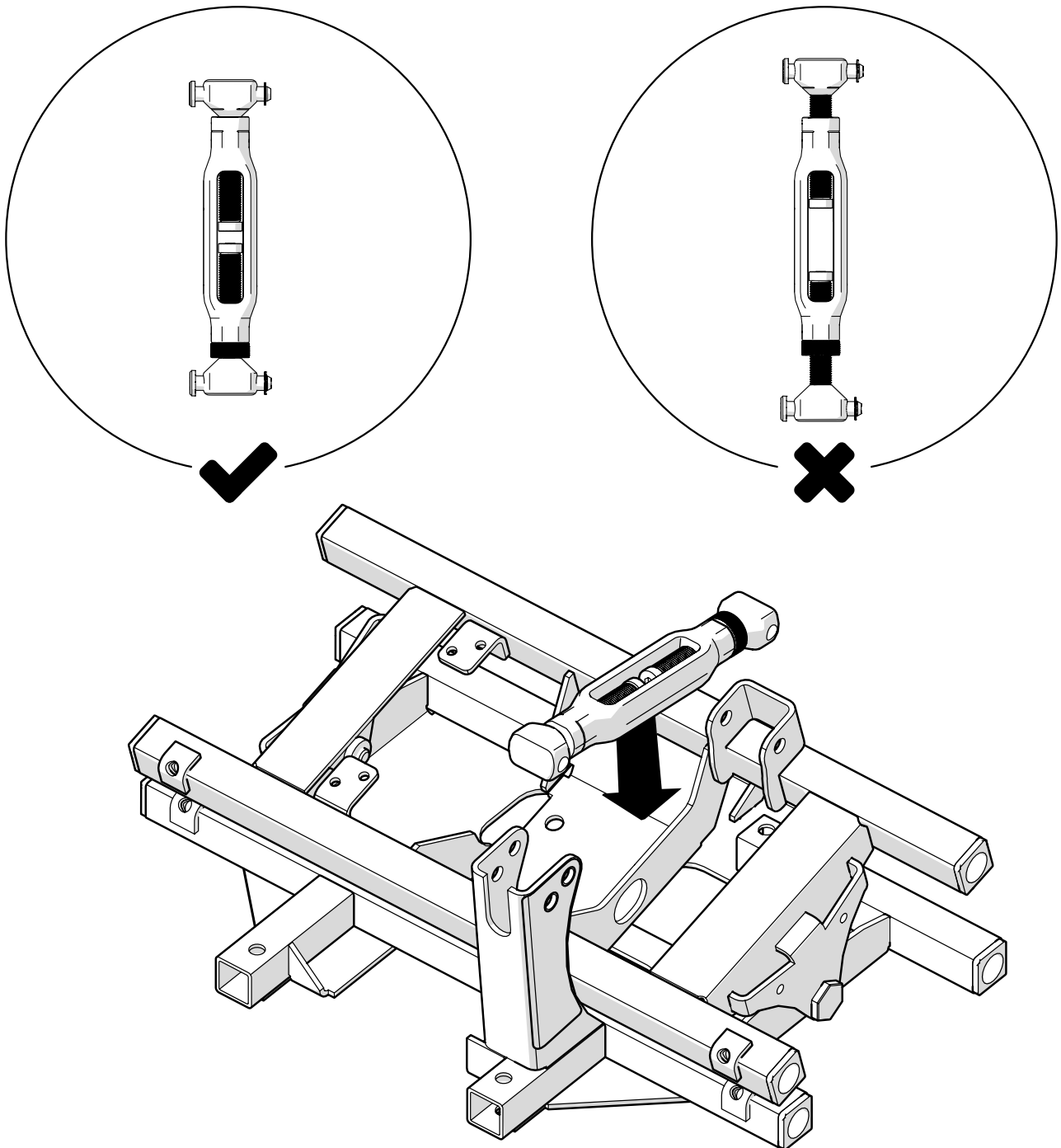
2. Necessary tools

- Tools for dismantling track riders - e.g. a small slotted screwdriver (Ø3 mm or less).
- Tools for mounting track riders - e.g. pliers.

3. Assembly instructions

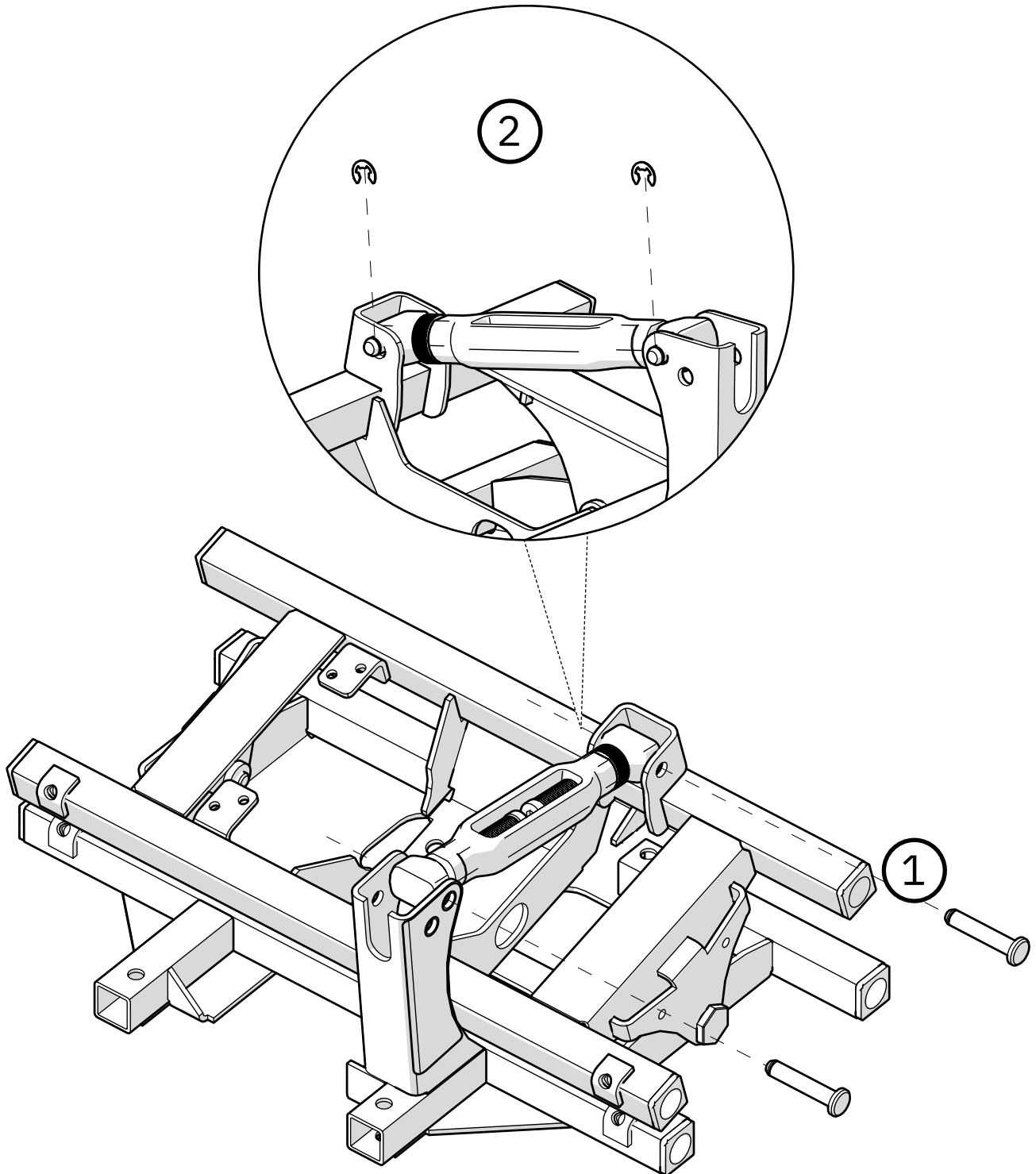
3.1. Positioning the crank

Crank assembly is the same on all compatible seat frames. The following illustrations show mounting on seat frame $-15/+15^\circ$. For mounting on other compatible seat frames, see step 3.3.

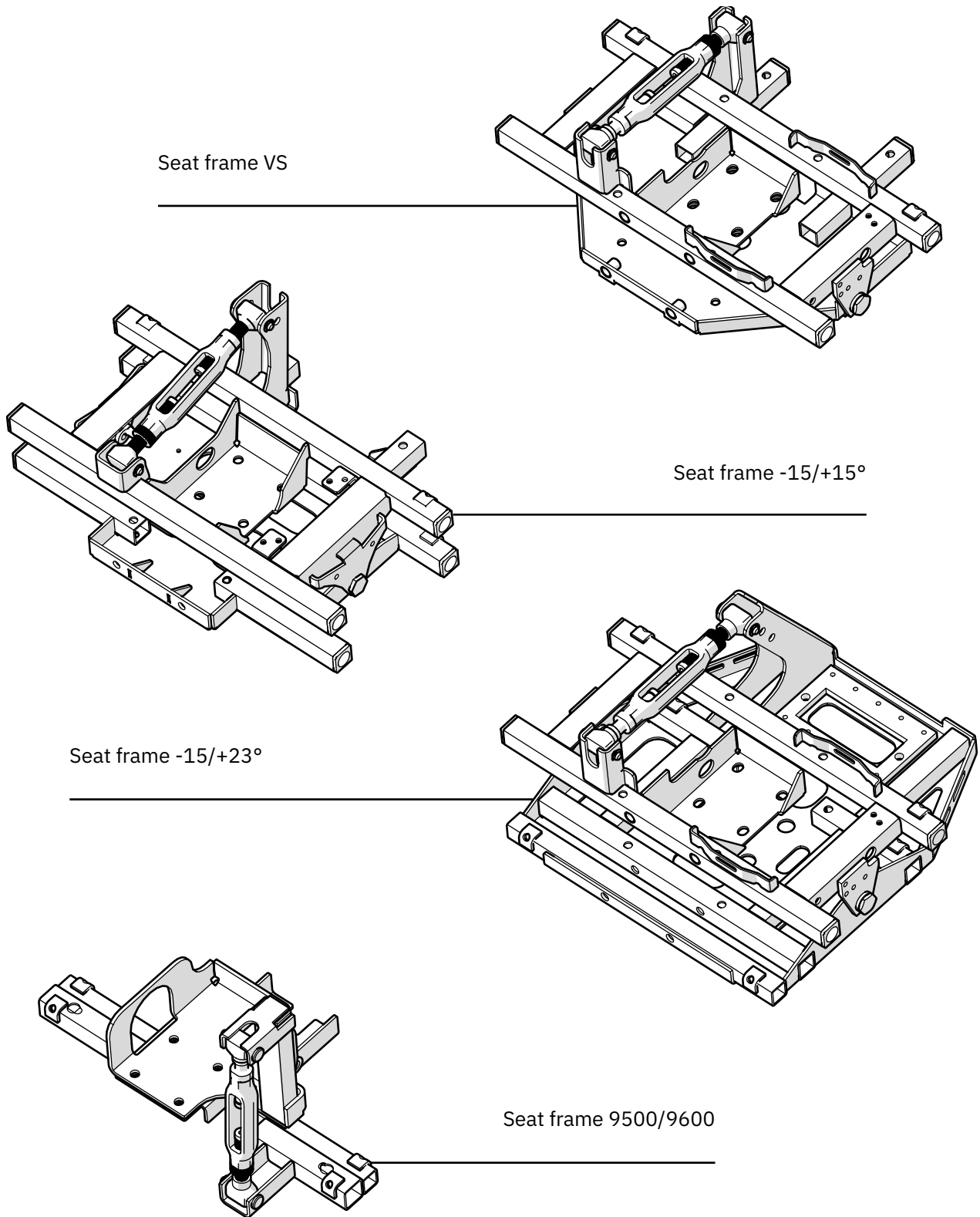


3.2. Lock the crank

Push the cylindrical bolts through to fix the crank (1). Lock the cylindrical bolts using the track riders (2).



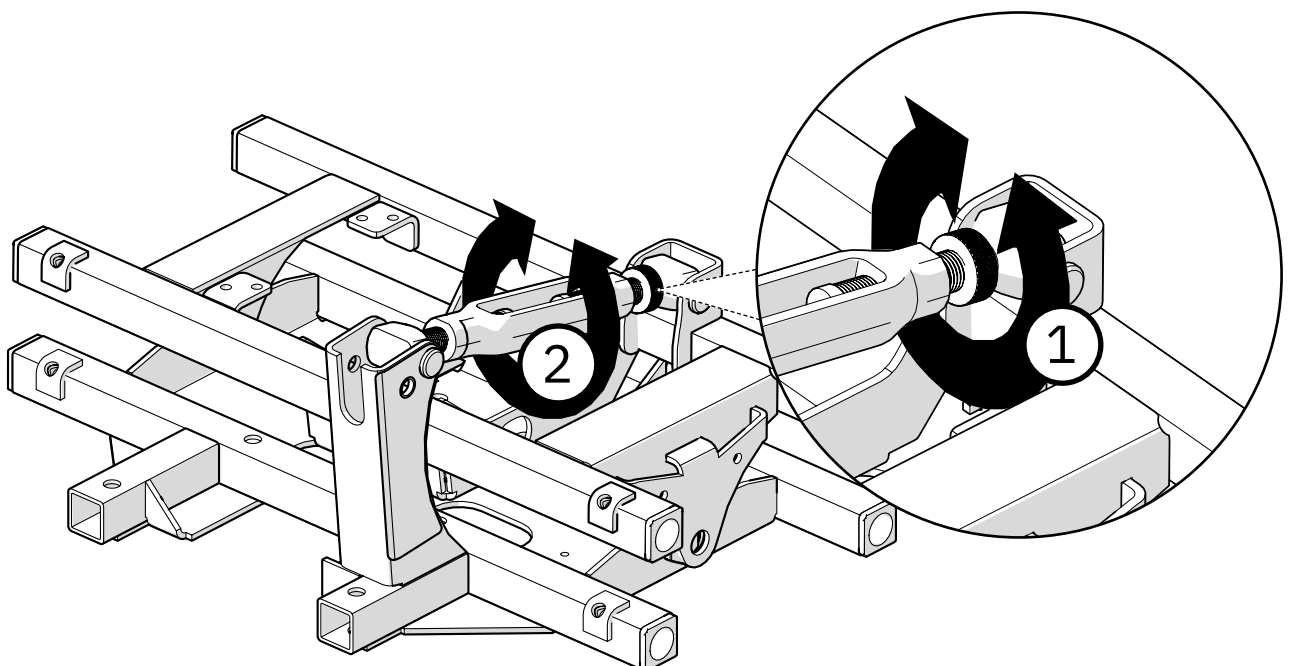
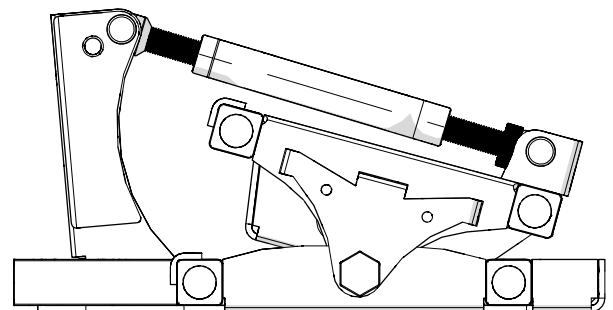
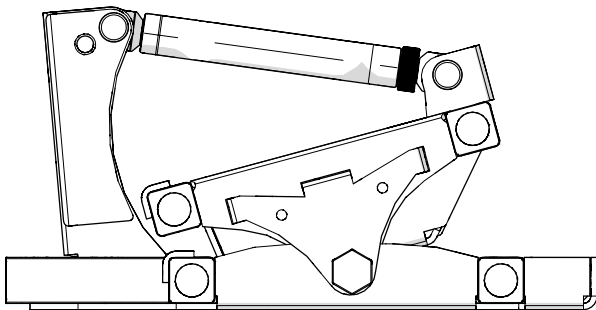
3.3. Result – Mounted crank on seat frame



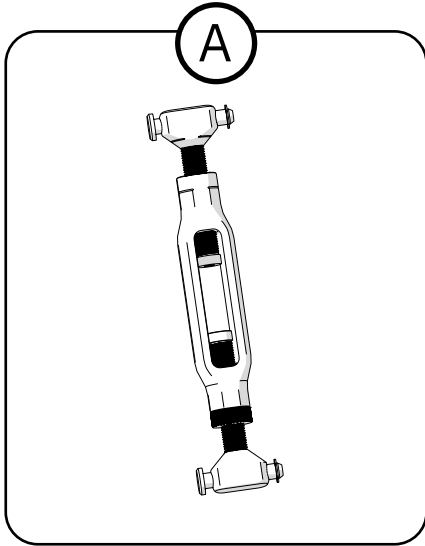
4. Use and customisation

4.1. Adjustment

Loosen the locking nut (1) and adjust the angle of the seat frame by turning the centre section of the crank (2). When the angle is adjusted to the desired position, secure the crank by tightening the locking nut (1).



5. Destruction and recycling



Ⓐ Sort as metal

Contact information

Mercado Medic AB



Mercado Medic AB
Tryffelslingan 14
SE-181 57 Lidingö



+46 (0)8-555 143 00
Mon-Fri 08.00-16.30 (CET/CEST)



www.mercado.se
info@mercado.se