



UK

HAND-HELD CONTROLLER 24V 1G REAL 9000 PLUS

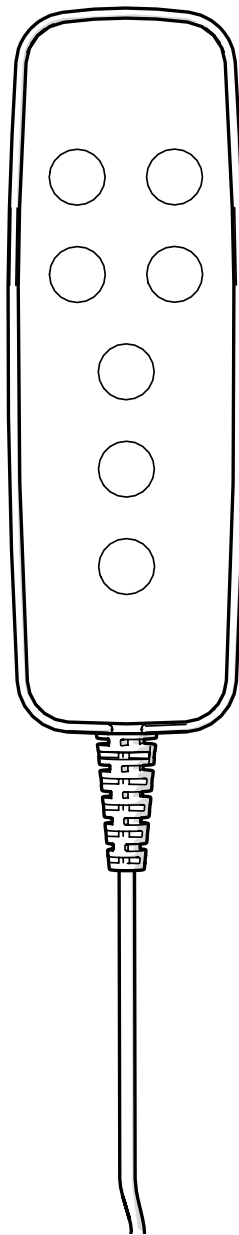
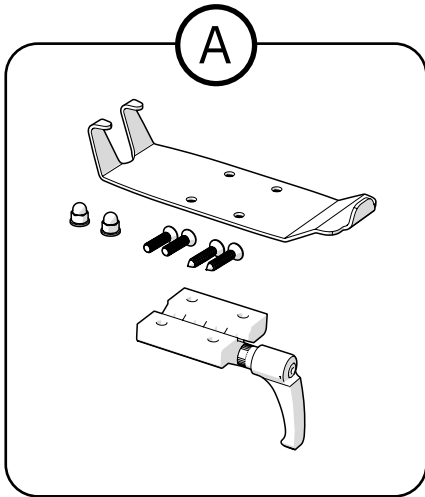


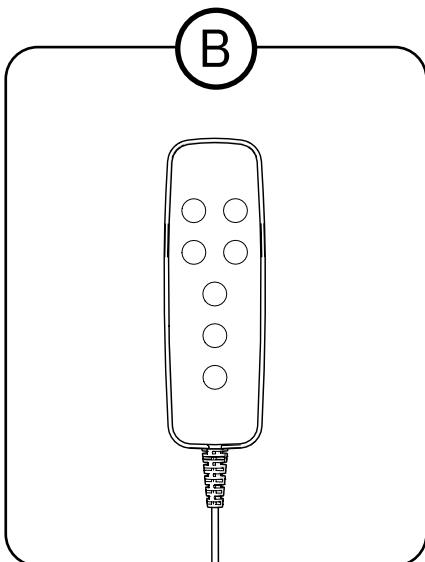
Table of Contents

- 1. Item list 3
- 2. Assembly instructions 4
 - 2.1. Mounting the bracket 4
 - 2.2. Plugging in the controller 5
 - 2.3. Mounting the controller 5
 - 2.4. Adjusting the bracket 6
- 3. Care instructions 7
- 4. Destruction and recycling 7

1. Item list



- ① 804516 Bracket for hand-held controller 24V 1G
- ② 804490 Hand-held controller 4 function 24V 1G
- 804813 Hand-held controller 1 function 24V 1G



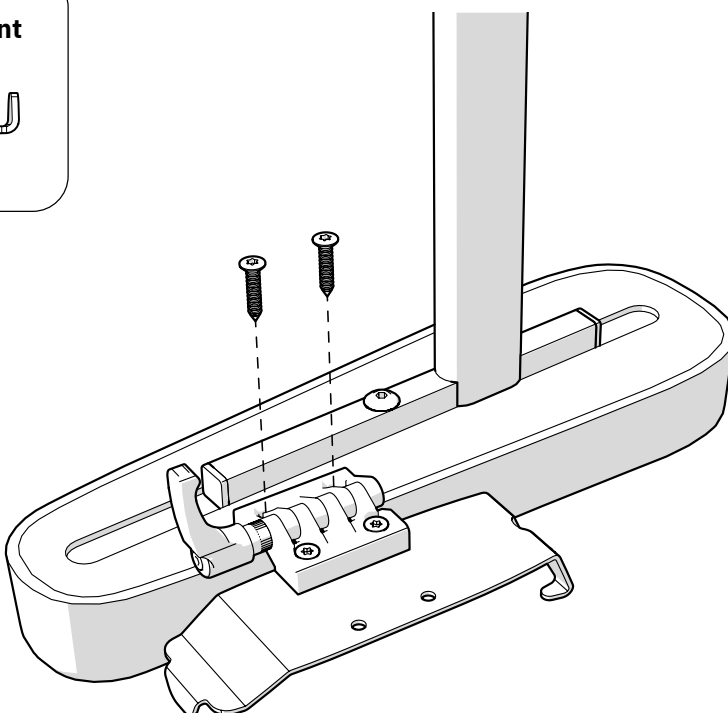
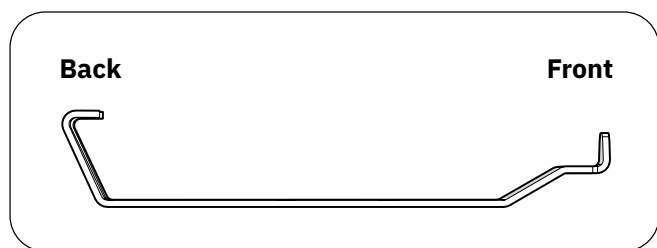
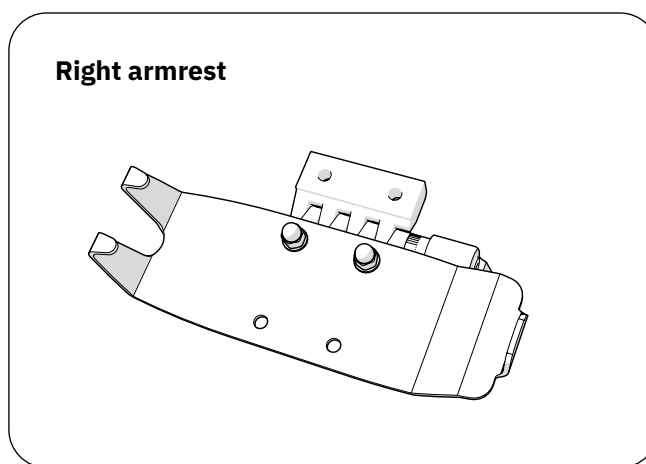
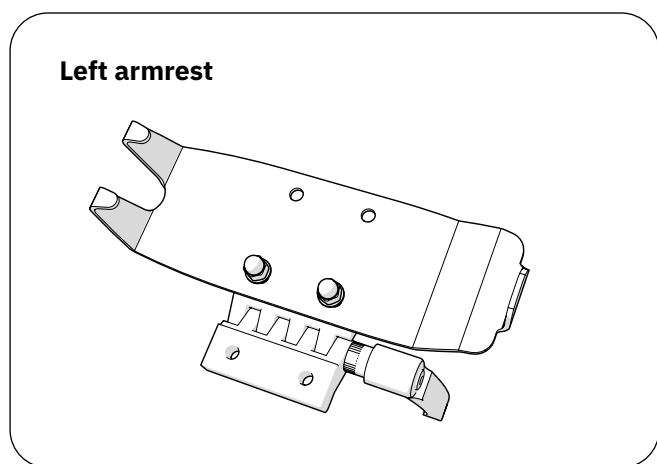
2. Assembly instructions

The assembly instructions show how to mount the controller bracket on the armrest and how to connect the controller.

2.1. Mounting the bracket

The bracket can be mounted on either the right or left armrest cushion. On the right armrest cushion, the bracket is mounted on the right side and vice versa. If necessary, the hinge can be moved to the other side of the bracket.

Orient the bracket as desired and screw it to the underside of the armrest plate.

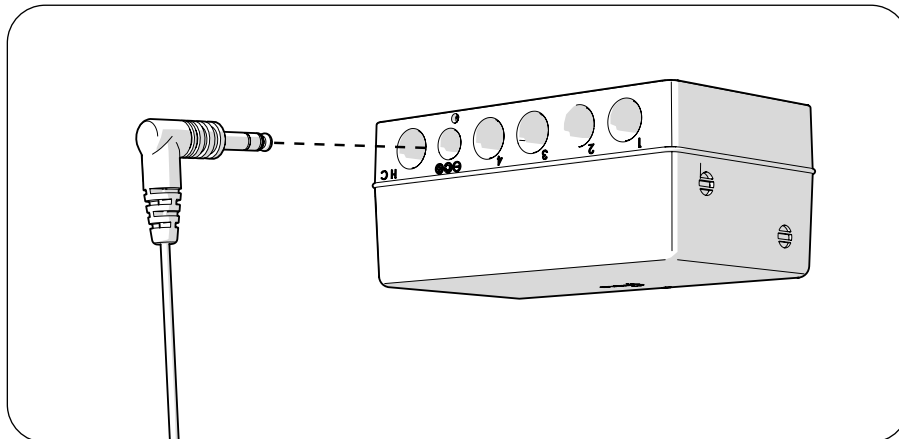


2.2. Plugging in the controller

Plug the controller connector into the seat's electrical system. The correct input on the electrical system is marked with a controller symbol. Push the connector all the way in and test that the controller is working.

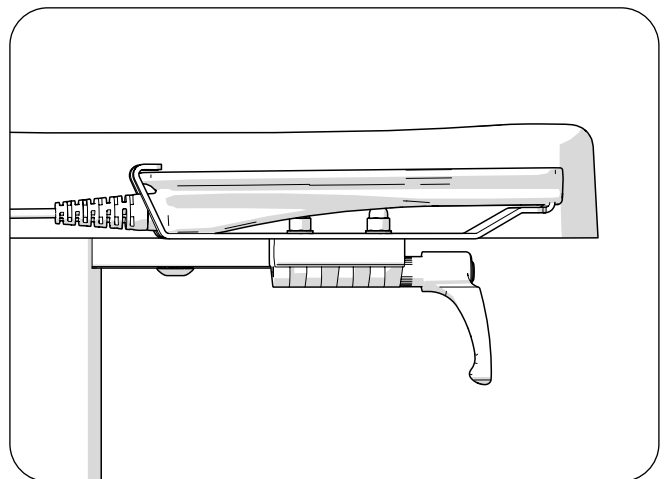
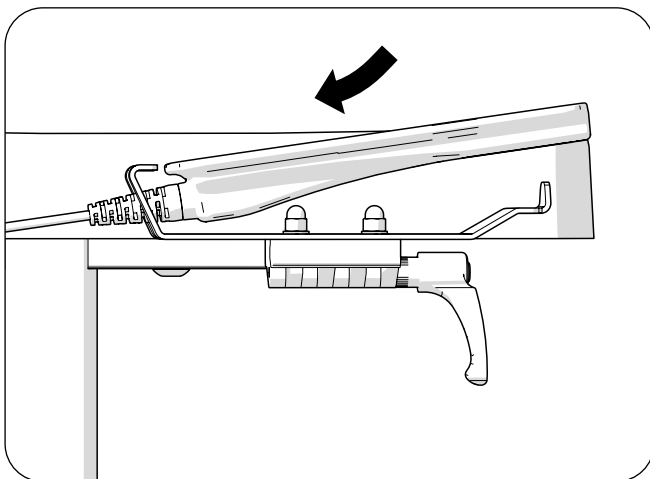


Controller symbol



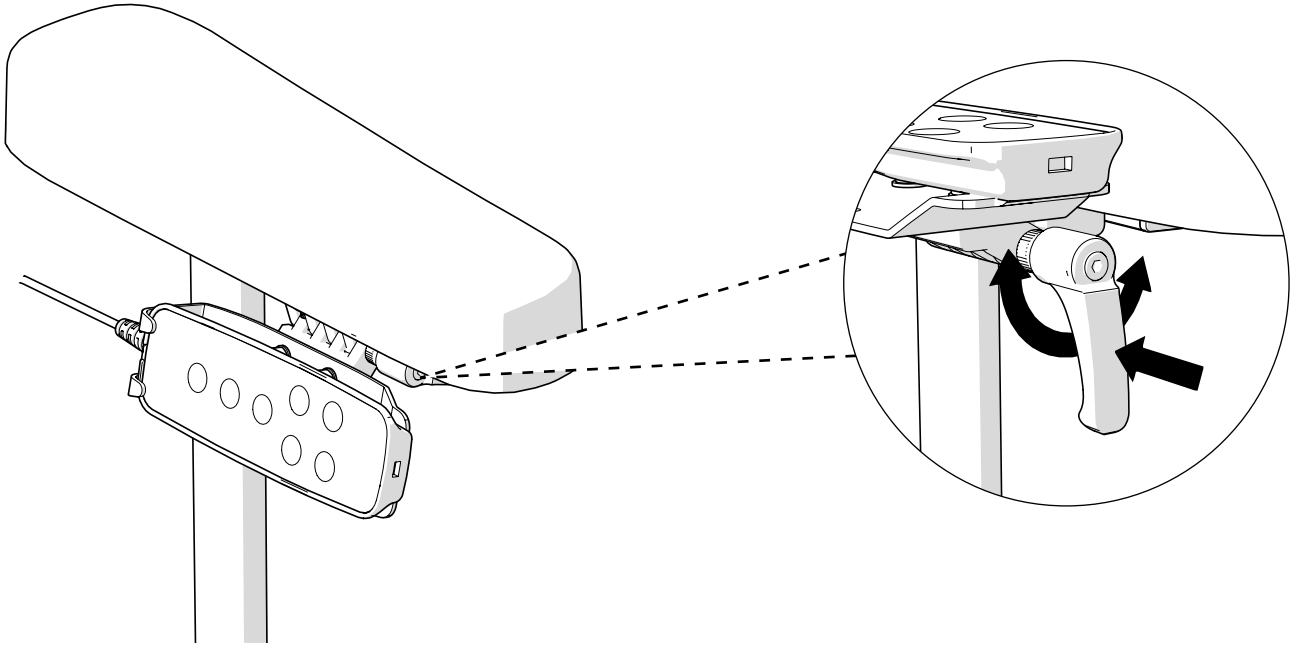
2.3. Mounting the controller

Place the controller in its bracket as shown below. The controller has a magnet at the front edge that enables it to click into place.



2.4. Adjusting the bracket

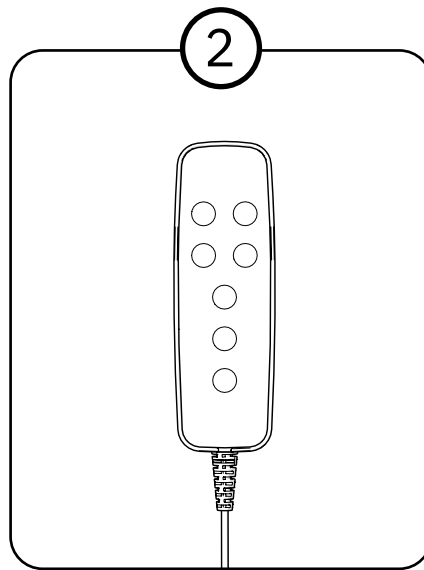
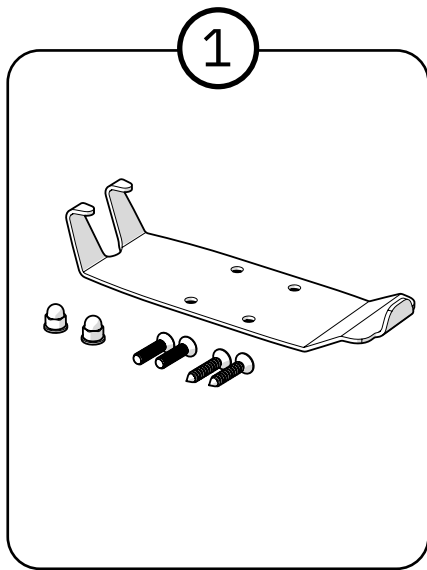
Use the knob to lock and release the angular adjustment of the mount to the controller. Press the knob to adjust the bracket.



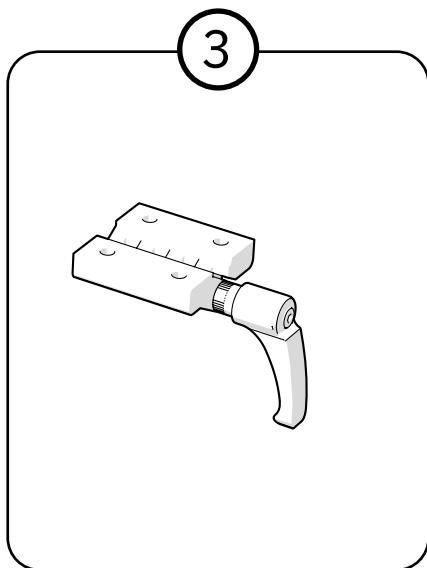
3. Care instructions

No specific care instructions for this item. Follow the instructions in the manual.

4. Destruction and recycling



1. Sort as metal
2. Sort as electronics
3. Sorted as mixed waste



Contact details

Mercado Medic AB



Mercado Medic AB
Tryffelslingan 14
SE-181 57 Lidingö



+46 (0)8-555 143 00
Mon-Fri 08.00-16.30 (CET/CEST)



www.mercado.se
info@mercado.se

Mercado UK Ltd



Repton House, Bretby Business
Park, Ashby Road
DE15 0YZ Burton on Trent
United kingdom



Phone: +44 (0)3330 033666



info@mercado-medic.co.uk
www.mercado-medic.co.uk