



SWE

ATTACHMENT FOR ELECTRIC SYSTEM 24V

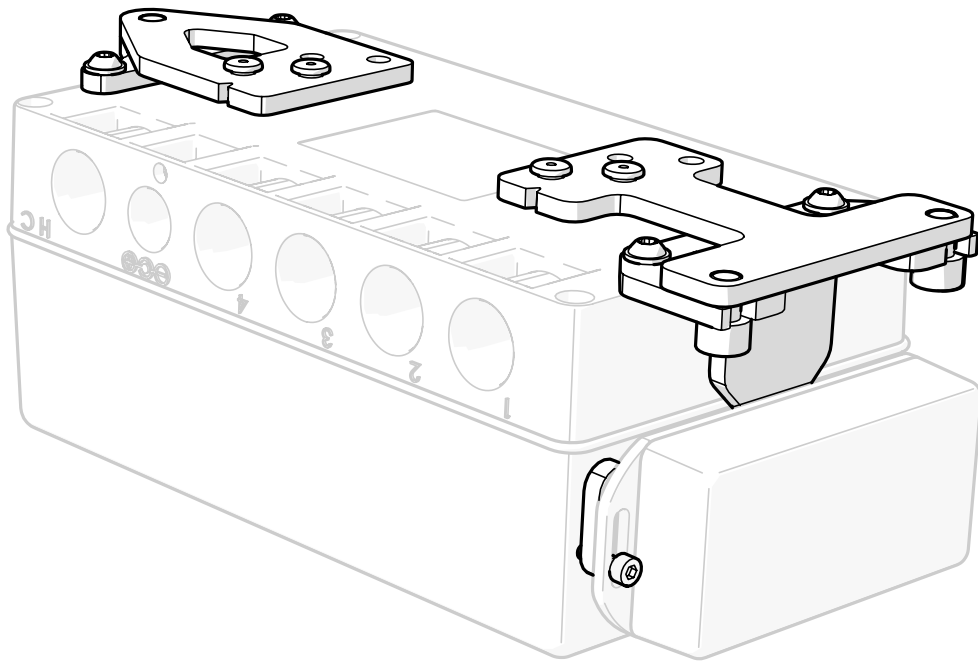
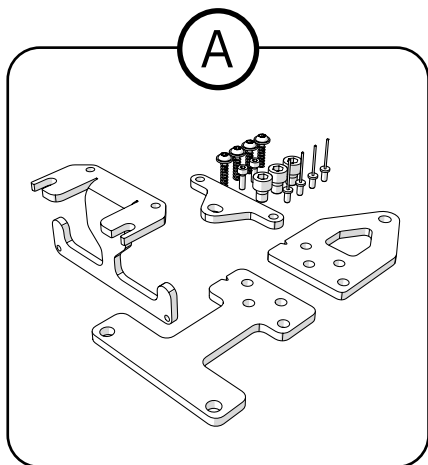


Table of contents

- 1. Item list 3
- 2. Servicing assembly 4
 - 2.1. Demount the steeringbox 4
 - 2.2. Mount the steeringbox 4
- 3. Assembly instruction for kit 5
 - 3.1. Remove any old attachment brackets 5
 - 3.2. Mount the front and rear seat frame bracket5
 - 3.3. Mount the front and rear attachment brackets 7
 - 3.4. Mount the contactbox 7
 - 3.5. Mount the steeringbox 7
- 4. Disposal and recycling 8

1. Item list



Ⓐ 805317

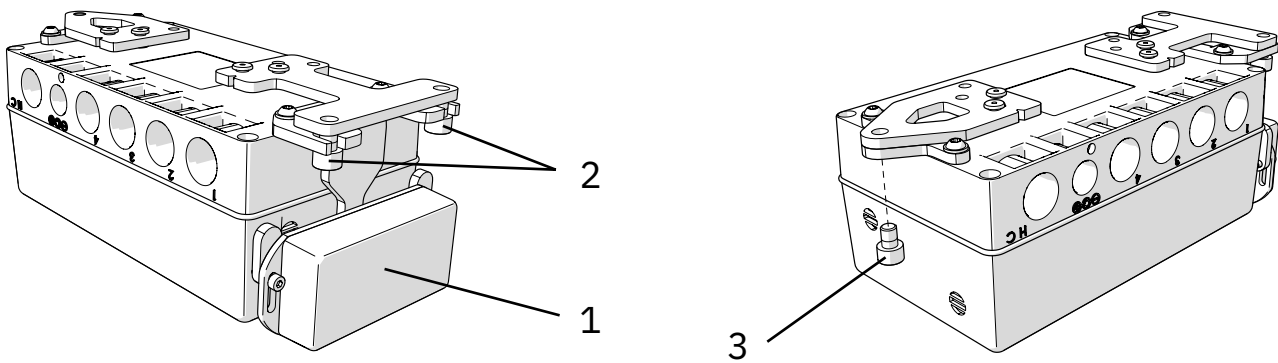
Mounting kit for electric system 24V 1G

2. Servicing assembly

2.1. Demount the steeringbox

If item 804489 Contactbox 4 functions for maneuverbox 24V 1G is mounted (1), loosen the screws a few turns. Slide the contactbox to its lowest position.

Loosen the screws in the rear bracket a few turns (2). Remove the screw in the front bracket (3). Disconnect all cables.



2.2. Mount the steeringbox

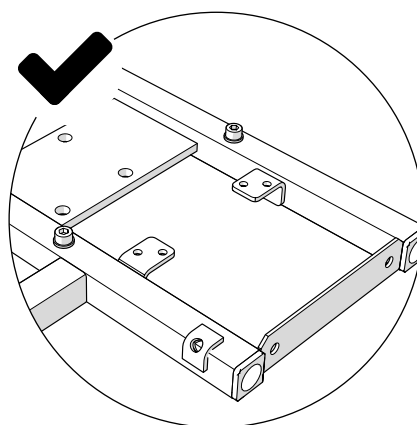
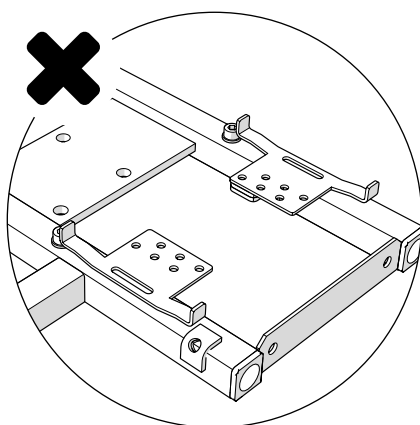
Connect all cables to the steeringbox. Apply Loctite 222 on the screws for the front and rear brackets. Screw the steeringbox in place.

If item 804489 Contactbox 4 functions for maneuverbox 24V 1G is mounted, slide it to its highest position. Tighten the screws.

3. Assembly instruction for kit

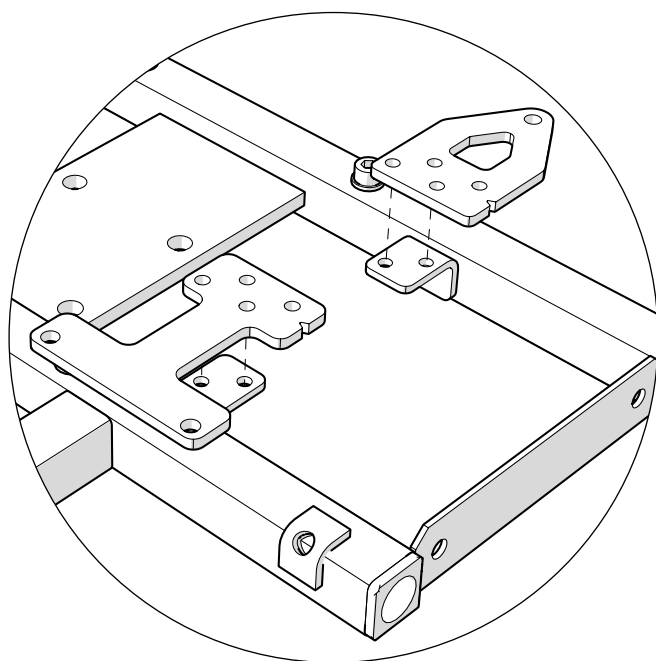
3.1. Remove any old attachment brackets

If 804558 Bracket for steering system 24V 1G are mounted they have to be removed before mounting the new brackets. Drill through the pop rivets using a $\varnothing 4$ mm metal drill. Remove the old brackets.



3.2. Mount the front and rear seat frame bracket

Mount the front and rear seat frame bracket in the universal brackets of the seat frame using 2 pcs pop rivets BN 4.8x12 AL/ST per bracket. The orientation and hole pattern to use depends on the seat frame, see next page.



The front and rear seat frame bracket are always mounted with the v-shaped notch to the left when seen from above in the forward direction of the chair. For correct choice of hole pattern, see table 1. The hole pattern is indicated by holes filled with black colour, see (1) and (2).

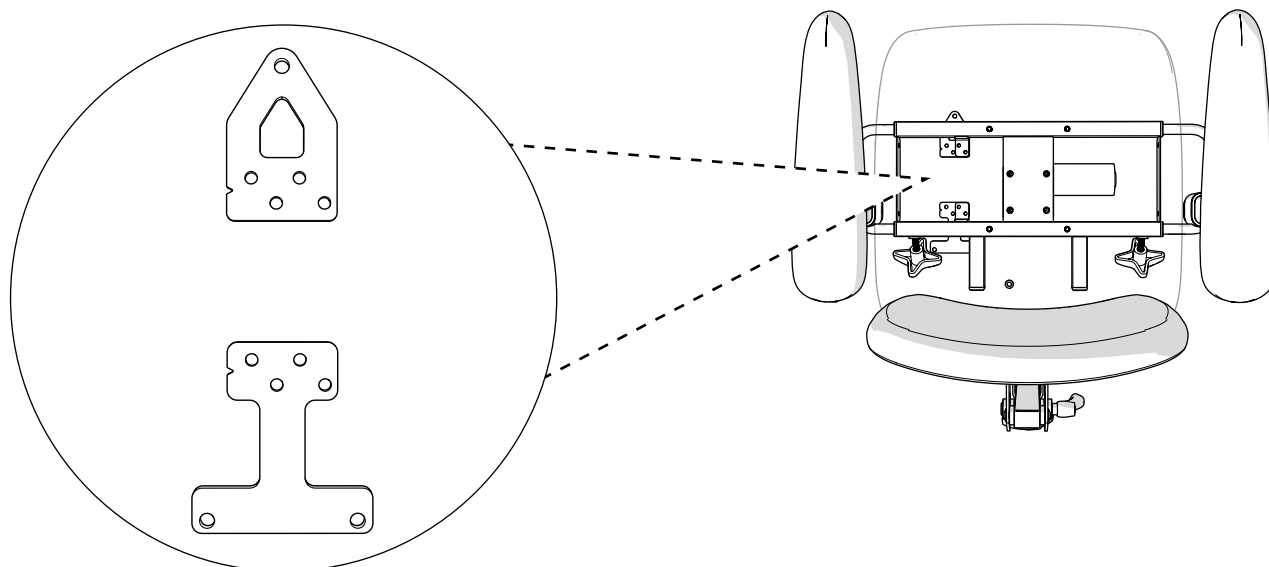
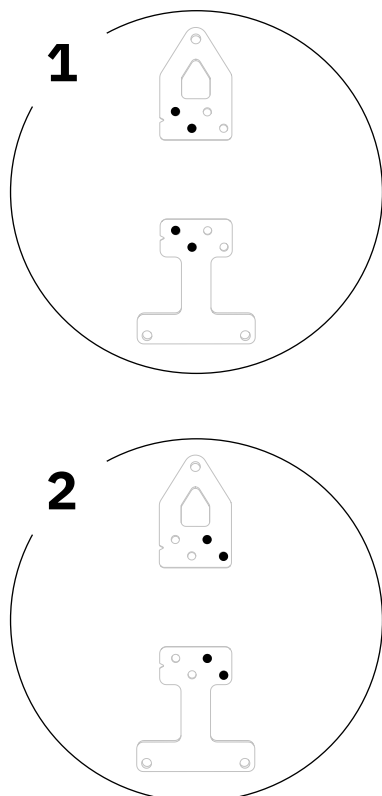


Table 1. Hole patterns for the different seat frames

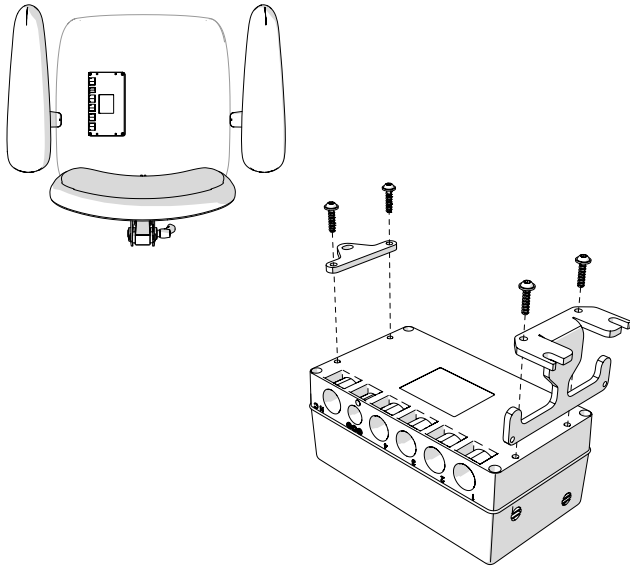


Art.no	Description	Hole pattern
805311	Seatframe 9000/9100 non angle adjustm. Width 40-54 (Adult) 24V 1G	2
805312	Seatframe 9000/9100 non angle adjustm. Width 33-39 cm (Child) 24V 1G	1
805302	Seatframe 9100 angle adjustm. Width 40-54 (Adult) 24V 1G	1
805303	Seatframe 9100 angle adjustm. Width 33-39 (Child) 24V 1G	1
805304	Seatframe 9000 -15/+23 angle adjustm. Upper/low, Width 40-54 24V 1G	1
805305	Seatframe 9000 -15/+23 angle adjustm. Upper/low, Width 33-39 24V 1G	1
805308	Seatframe 9000 -15/+15 angle adjustm. Width 40-48 Adult 24V 1G	1
805307	Seatframe 9000 -15/+15 angle adjustm. Width 36-40 Child 24V 1G	2
805315	Seatframe 9700/9800 non angle adjustm. Width 40-54 (Coxit) 24V 1G	1
805306	Seatframe 9700/9800 angle adjustm. Width 40-54 (Coxit) 24V 1G	1

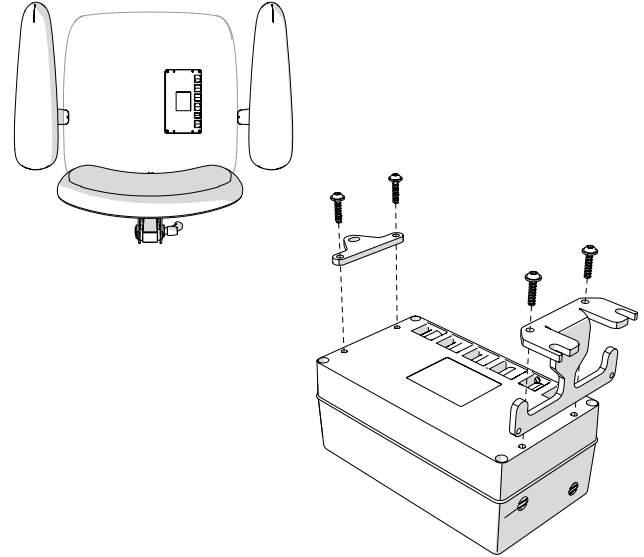
3.3. Mount the front and rear attachment brackets

The front and rear attachment brackets are to be mounted so that the contacts of the steeringbox face outwards from the centre of the chair. Mount the front and rear attachment brackets onto the steeringbox using screws for thermoplastics RTF-PT 4X16 A2.

LEFT

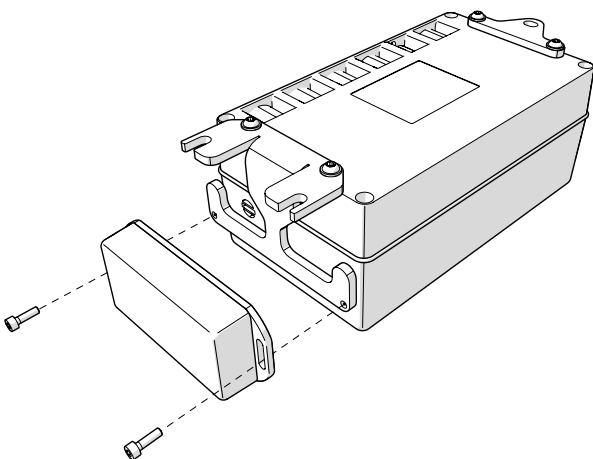


RIGHT



3.4. Mount the contactbox

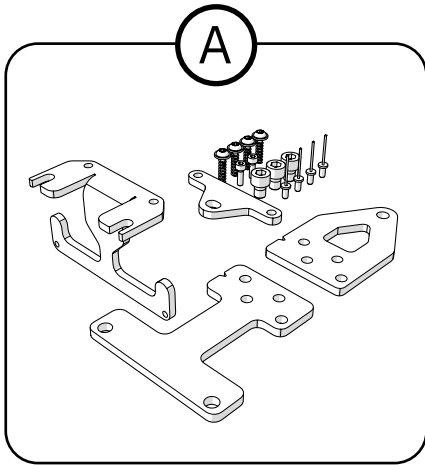
If 804489 Contactbox 4 functions for maneuverbox 24V 1G is to be used, mount this in the rear attachment bracket using MC6S M3x10 8.8 FZB DRI-LOC PLASTIC 180°. Wait to tighten the screws until the steeringbox has been mounted.



3.5. Mount the steeringbox

See instruction in section 2.2. Mount the steeringbox.

4. Disposal and recycling



Ⓐ Sort as metal

Contact information

Mercado Medic AB



Mercado Medic AB
Tryffelslingan 14
SE-181 57 Lidingö
Sweden



08-555 143 00
Mon-Fri 08.00-16.30



www.mercado.se
info@mercado.se