



GAS SPRING LEVER

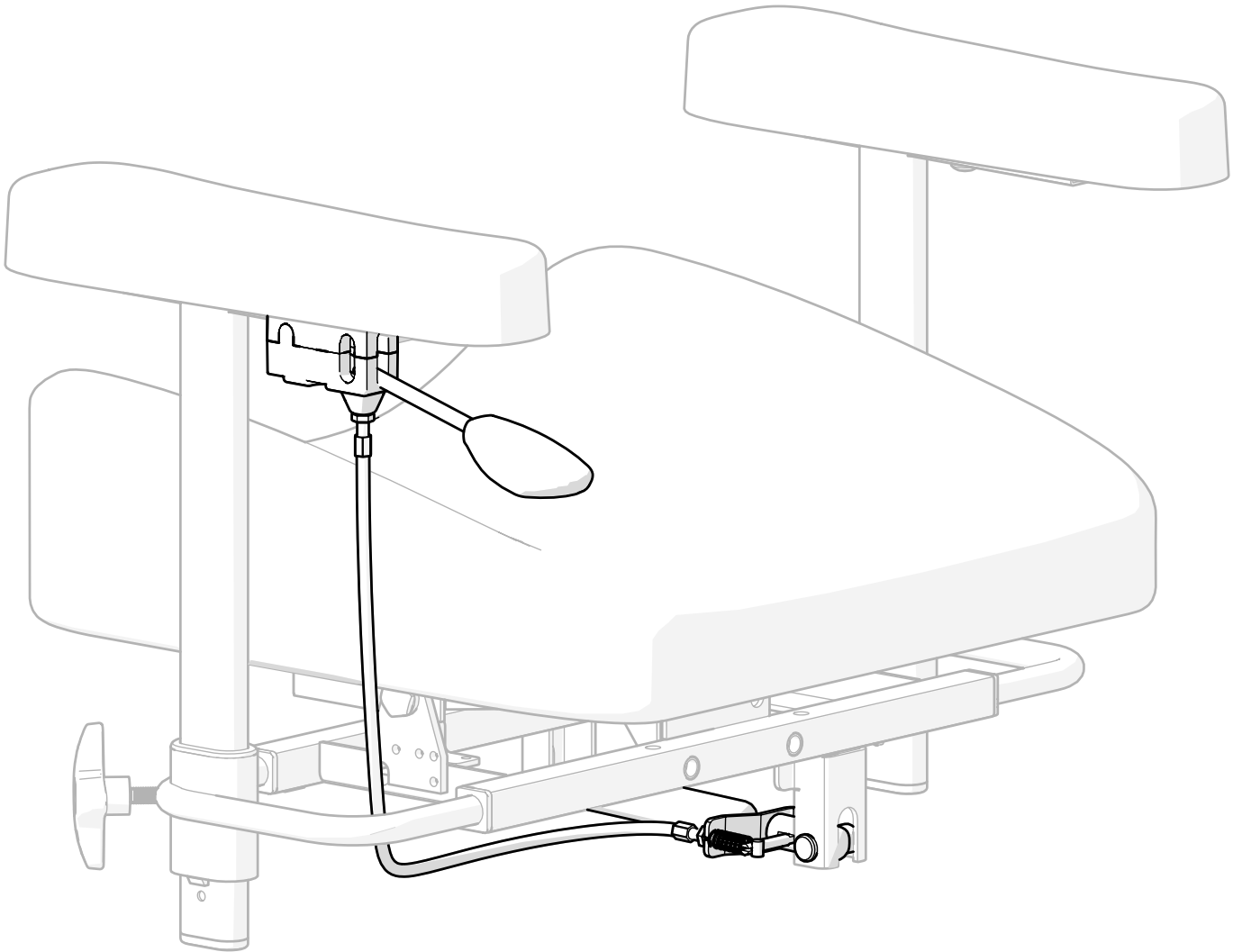
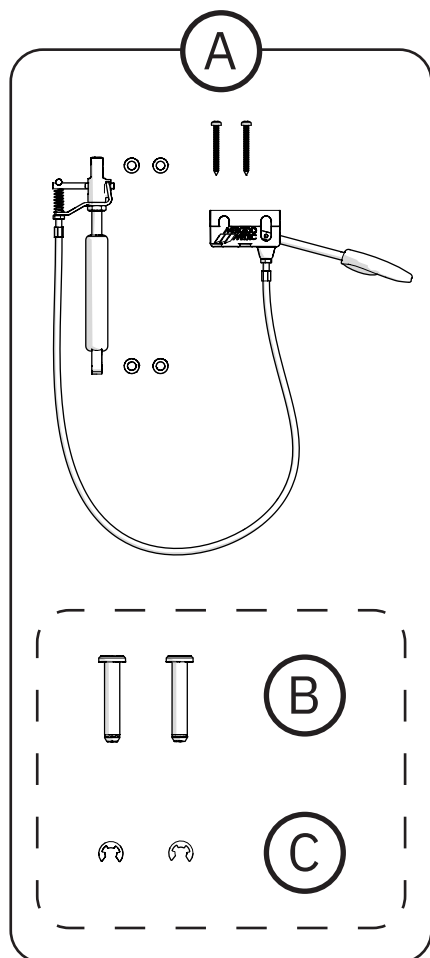


Table of contents

1. Item list	3
2. Necessary tools	3
3. Assembly instructions	4
3.1. Installing the gas spring	4
3.2. Installing the gas spring control	5
3.3. Cable routing	6
4. Adjustment	7
5. Destruction and recycling	8

1. Item list



- | | | |
|---|--------|---|
| Ⓐ | SAR31 | Gas spring-controlled seat tilt at armrests |
| Ⓑ | 805266 | Cylindrical bolt fzb f. e-clip |
| Ⓒ | 805267 | E-clip RWS 6 |

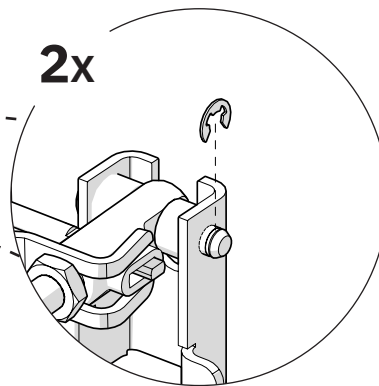
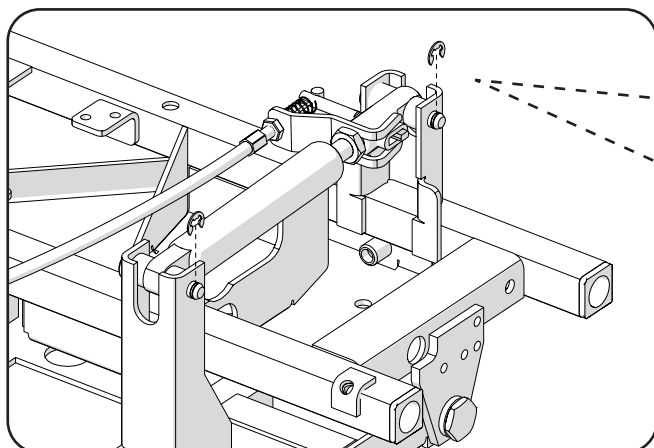
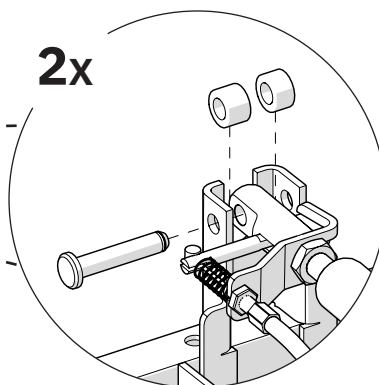
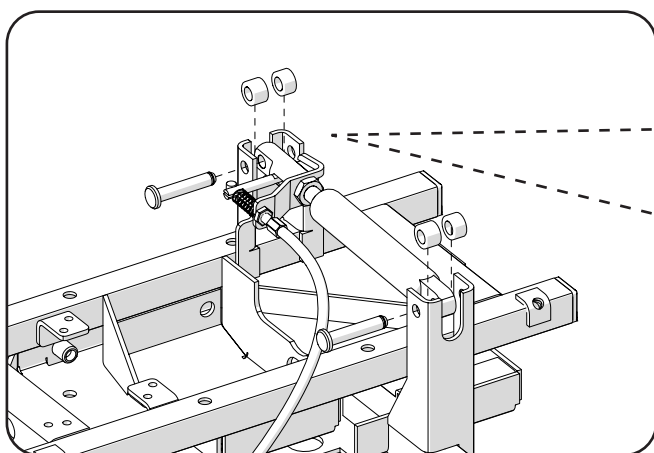
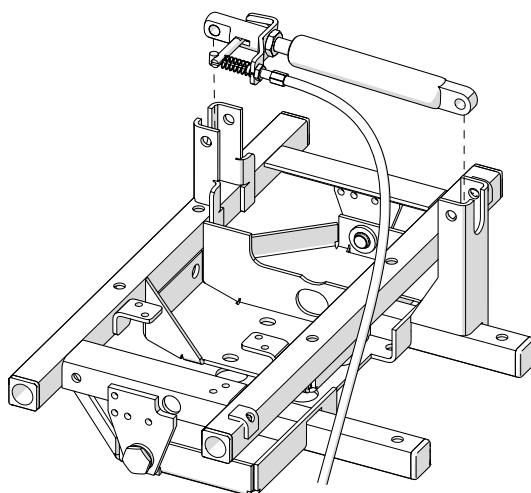
2. Necessary tools

- Torx T25
- Tools for dismantling e-clips - e.g. a small slotted screwdriver (Ø3 mm or less).
- Tools for mounting e-clips - e.g. pliers.

3. Assembly instructions

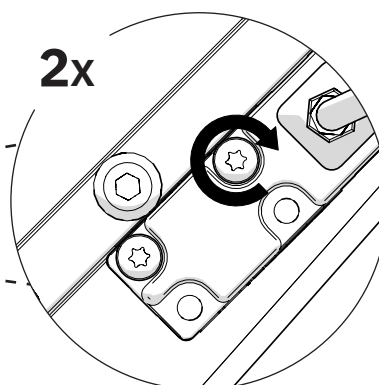
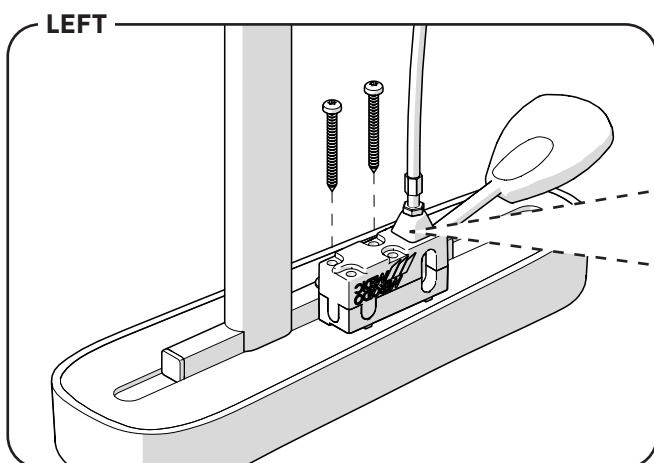
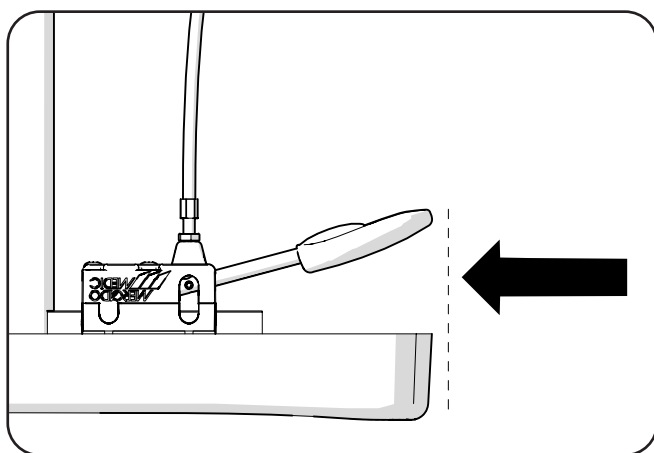
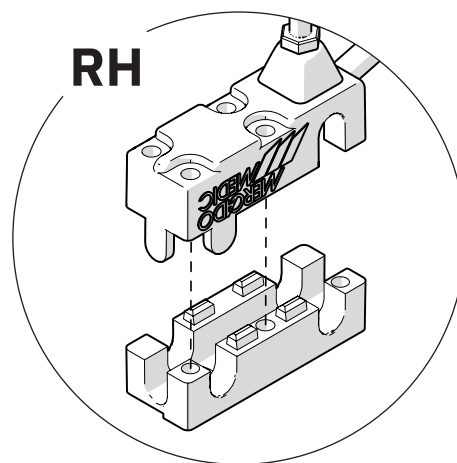
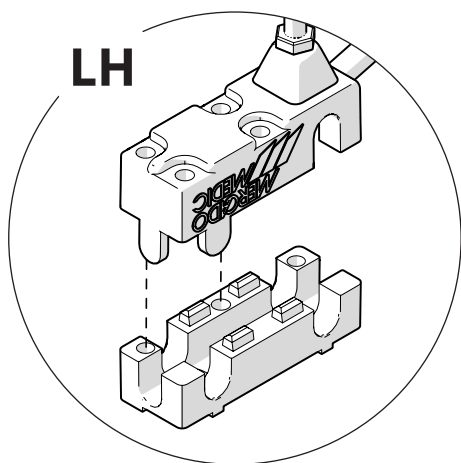
3.1. Installing the gas spring

Place the gas spring between the brackets on the seat cross. Secure the gas spring with cylindrical bolts and spacers. Lock the cylindrical bolts using e-clips.



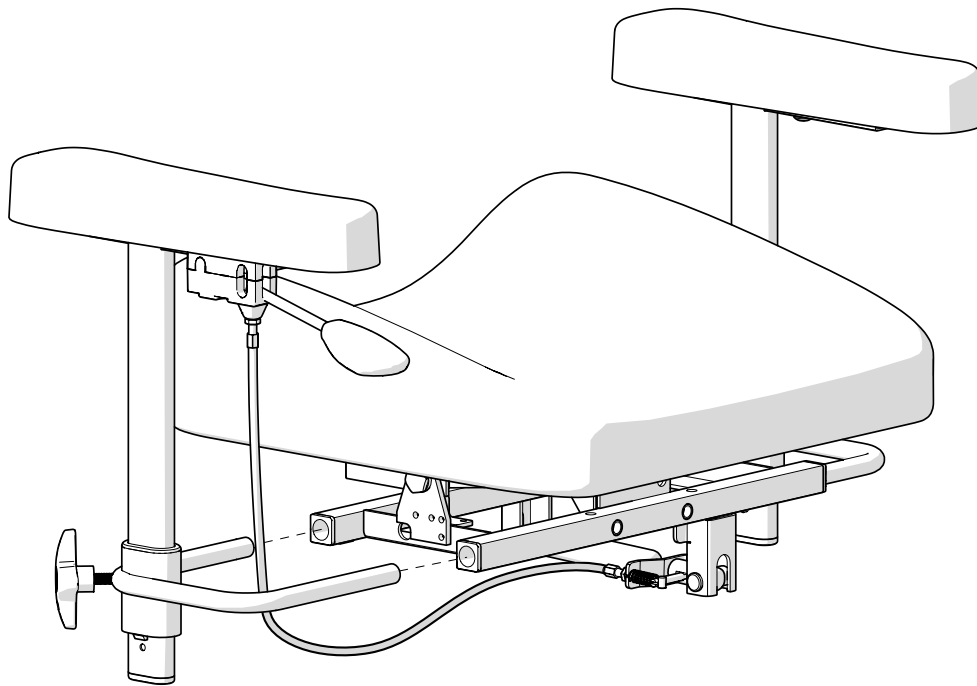
3.2. Installing the gas spring control

Assemble the upper and lower halves of the control bracket. Place the bracket against the underside of the armrest. The bracket should be in contact with the outside of the square tube and the front edge of the armrest should in most cases align. Then tighten the two wooden screws into the wooden disc of the armrest. The screws are self-tapping.



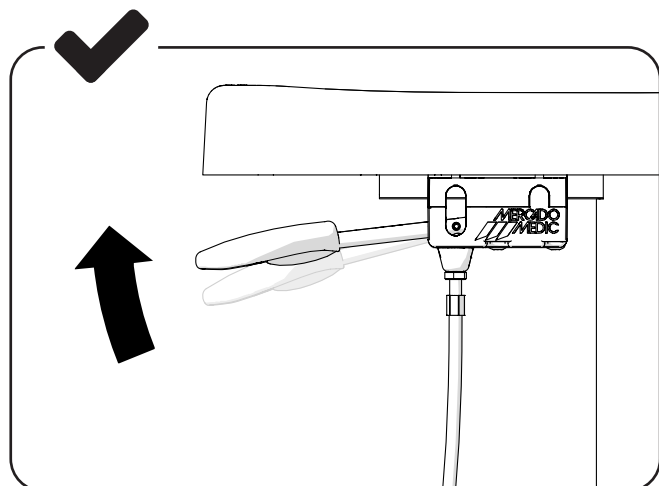
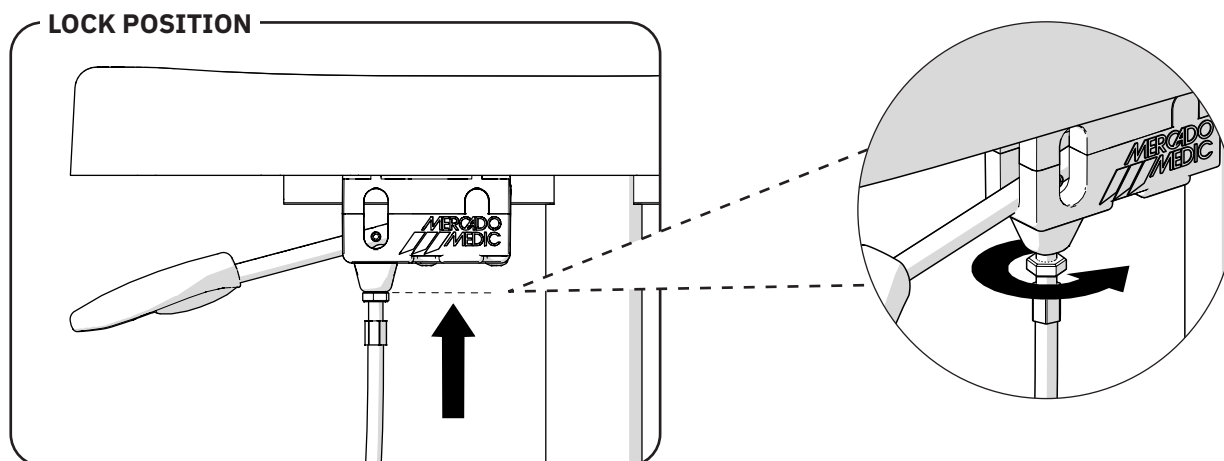
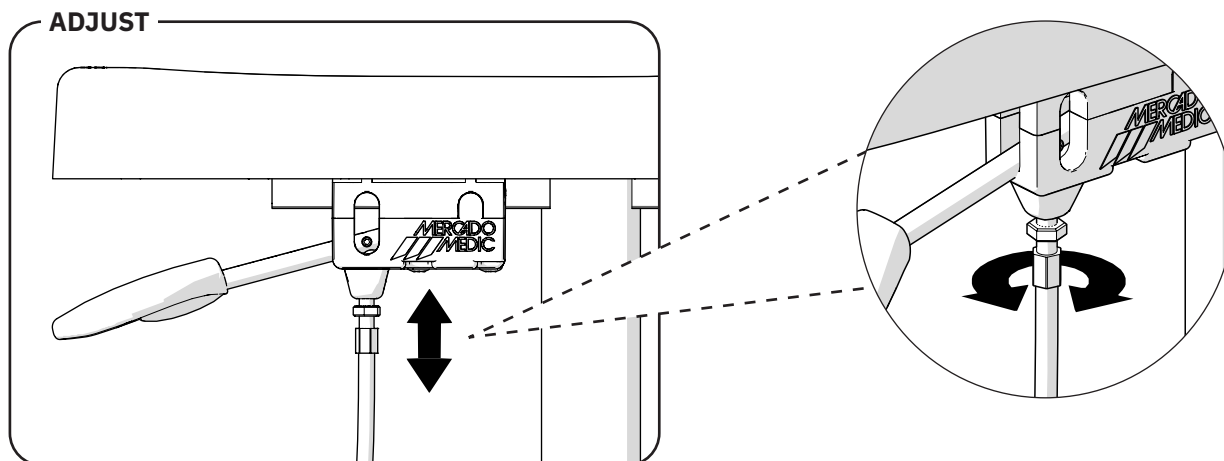
3.3. Cable routing

Place the cable inside the armrest's width adjustment arc.

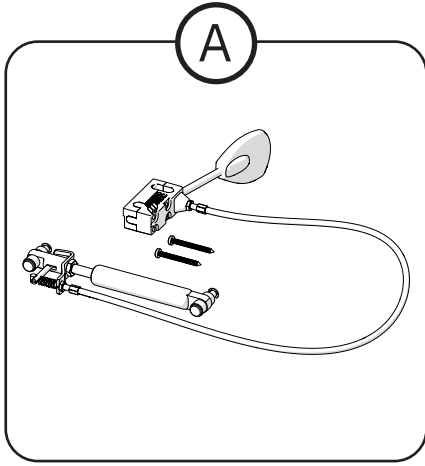


4. Adjustment

It should be possible to lift the control approximately 2 mm before the gas spring is activated. Fine-tune the paly by screwing the wire nipple. Then tighten the wire nipple's counter nut to lock the position. Check the function.



5. Destruction and recycling



Ⓐ Sort as metal

Contact details

Mercado Medic UK



Mercado Medic UK
Repton House
Ashby Road East

Burton Upon Trent, Derbyshire,
DE15 0YZ, UK



Phone: +44 3330 033 666

Mon-Fri 08.00-16.30 (CET/CEST)



www.mercado-medic.co.uk

contact@mercado-medic.co.uk



Mercado Medic AB
Tryffelslingan 14
SE-181 57 Lidingö
SWEDEN

Phone: +46 8 555 143 00
E-mail: info@mercado.se