



ENG

VERTICALLY ADJUSTABLE DOUBLE BACKREST MECHANISM

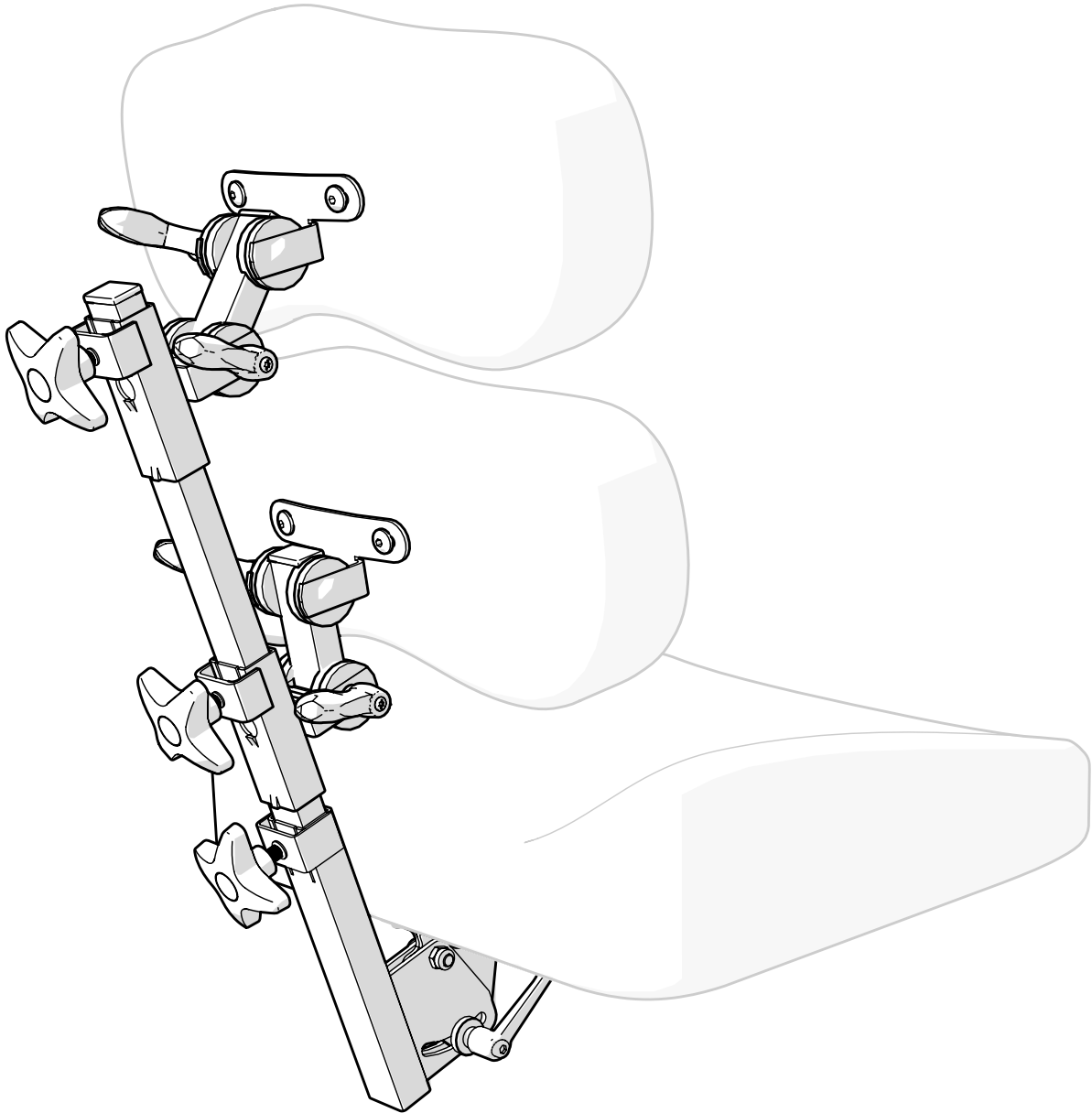
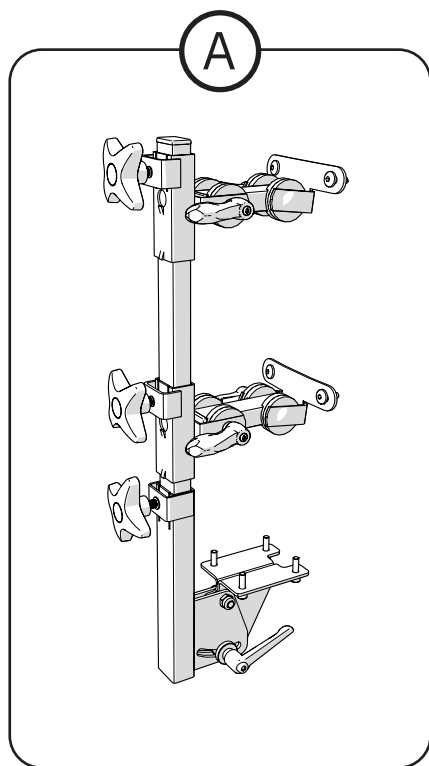


Table of contents

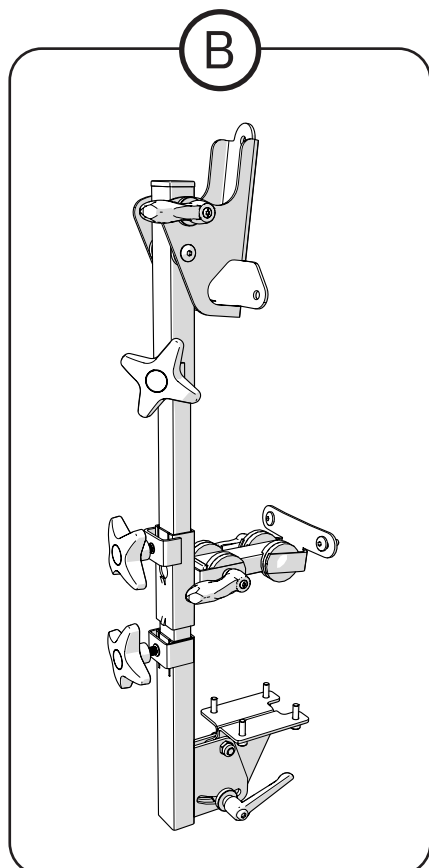
1. Item list	3
2. Assembly instructions	4
2.1. Mounting in seat plate	4
2.2. Installing the backrest cushions.....	5
3. Use and adaptation.....	6
3.1. Adjustment	6
4. Destruction and recycling	7

1. Item list



Ⓐ BRM5100 Vertically adjustable double backrest mechanism low, backrest adjustment rear right

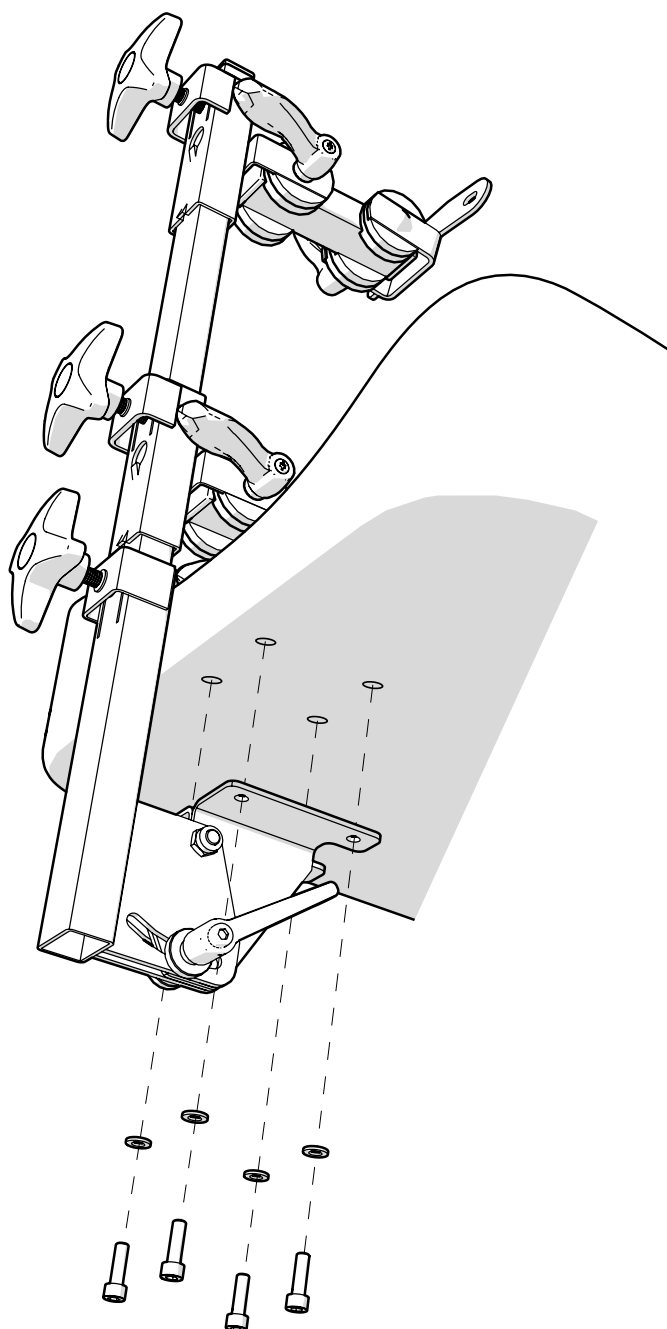
Ⓑ BRM5200 Vertically adjustable double backrest mechanism high, backrest adjustment rear right



2. Assembly instructions

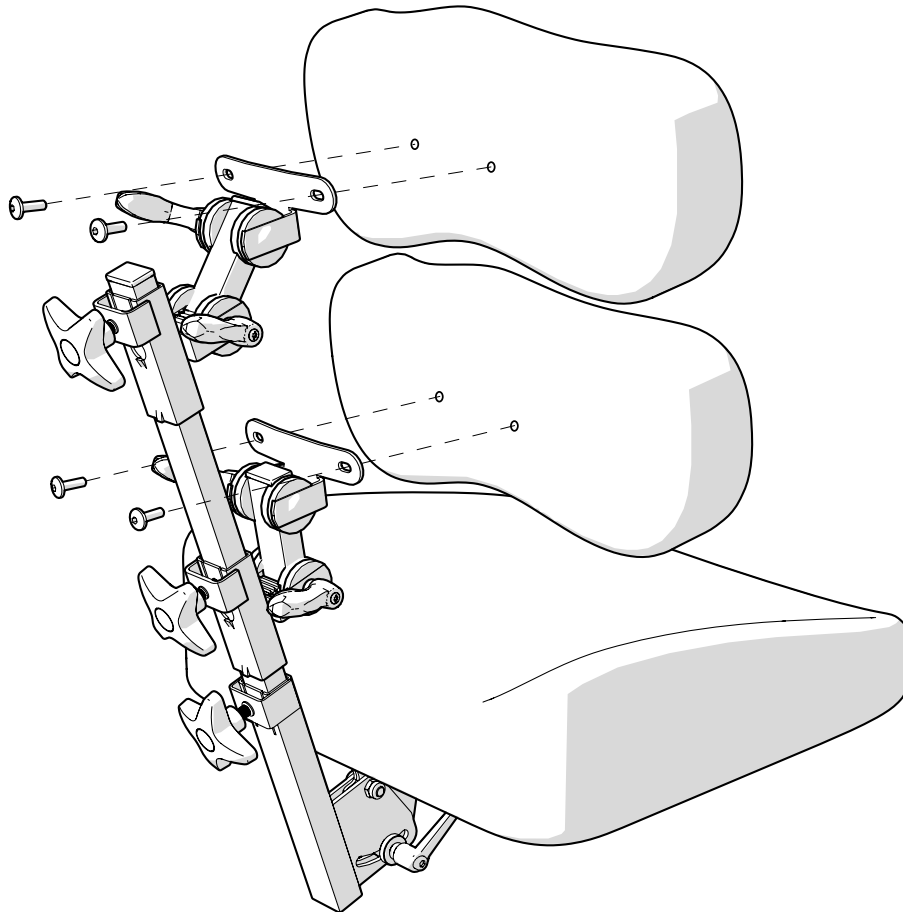
2.1. Mounting in seat plate

Use 4 x MC6S M6x20 screws and 4 x M6 washers to attach the backrest mechanism to the seat plate.



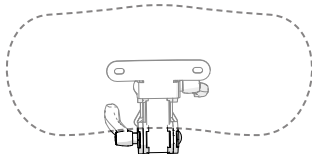
2.2. Installing the backrest cushions

The backrest mechanism can either have two low backrests, or one high and one low backrest. Attach a low backrest using 2 x K6S M6x20 screws for each backrest. Attach a high backrest using 3 similar screws.

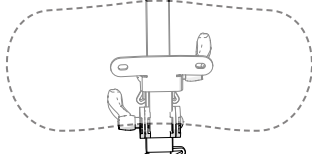


BRM5100

Low backrest

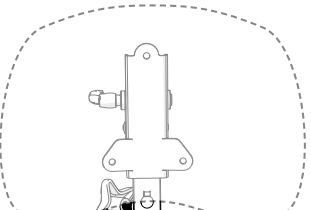


Low backrest

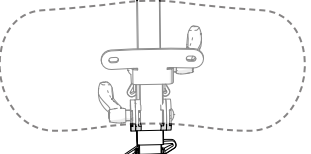


BRM5200

High backrest



Low backrest

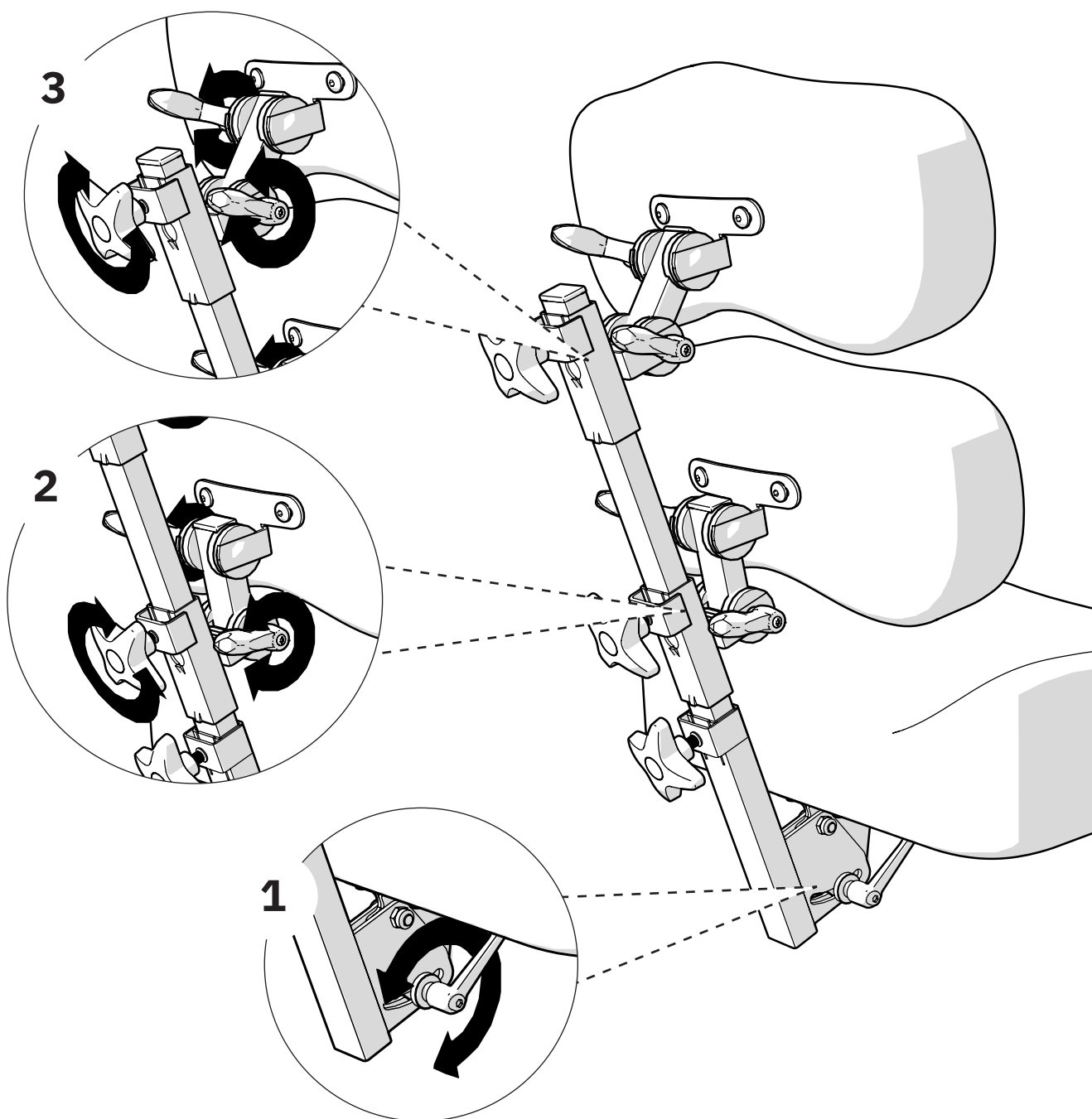


3. Use and adaptation

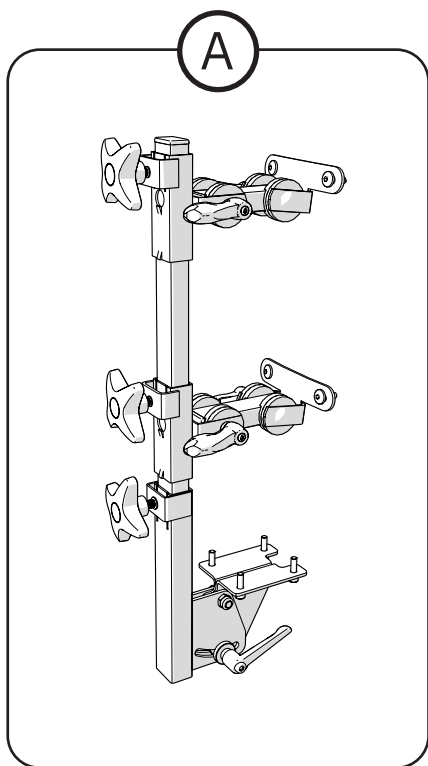
3.1. Adjustment

Adjust the backrest mechanism in the sequence 1, 2, 3 as shown below. If further adjustment is required, repeat this sequence again until it is correctly adjusted.

i The backrest mechanism has a lot of knobs and it is important that all these are properly tightened before the chair is used.



4. Destruction and recycling



Ⓐ Sort as metal

Contact information

Mercado Medic UK



Mercado Medic UK

Repton House

Ashby Road East

Burton Upon Trent, Derbyshire,
DE15 0YZ, UK



Phone: +44 3330 033 666



www.mercado-medic.co.uk

contact@mercado-medic.co.uk



Mercado Medic AB
Tryffelslingan 14
SE-181 57 Lidingö
SWEDEN

Phone: +46 8 555 143 00
E-mail: info@mercado.se