

The REAL chair has replaceable components, accessories and functions with adjustment options for individual adaptation. The chair must only be used by the person for whom it was prescribed and for the purpose for which it is intended. The chair is intended for indoor use only. The chair must not be equipped with any accessories or components other than those approved by Mercado Medic AB. Repairs and other technical measures may only be carried out by personnel authorised by Mercado Medic AB. Read these instructions carefully before using the chair for the first time.

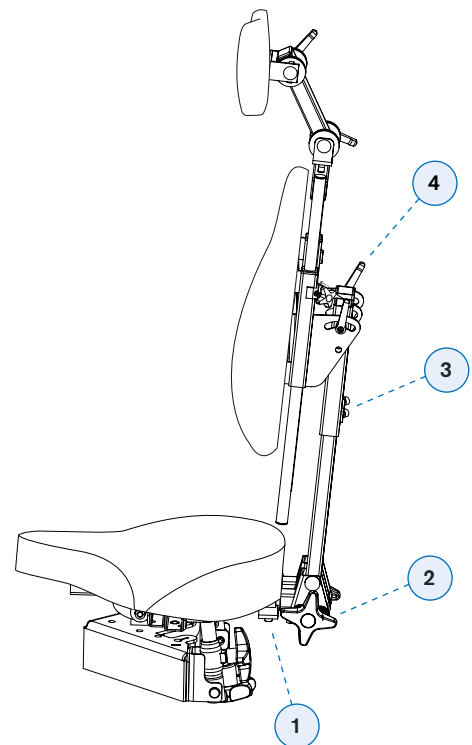
BACKREST

The chair is equipped with a high Double Medic back recliner. The depth of this can be adjusted by loosening the two screws (1) using a 5 mm hex key, for example the Mercado key. The entire mechanism can then be moved forwards or backwards. Once adjusted, retighten the two screws. **NOTE!** Ensure that the back recliner is not moved too far out 'backwards', i.e. so that the spring button clips stop the back recliner from being moved too far back.

The angle of the entire back recliner can be adjusted by loosening the two knobs (2) and then adjusting the back recliner by taking hold of the back, angling it as required, and then retightening the knobs (2).

The height of the backrest can be adjusted by loosening the screws (3) using the Mercado key and then adjusting the back to the required height. Once adjusted, retighten the screws (3).

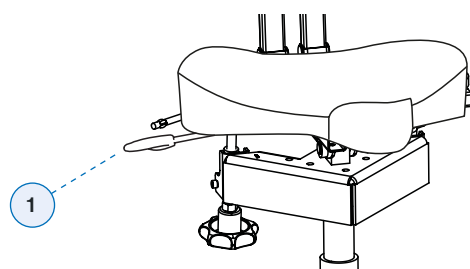
The angle of the backrest can be adjusted by loosening the handles (4), taking hold of the back, angling it as required, and then retightening the handles (4).



SEAT HEIGHT

The seat height is adjusted by means of the lever (1), which releases the gas fix lifting mechanism when pulled upwards. You can then move the seat down by putting weight on the seat or up by reducing the weight on the seat (stretch out your legs).

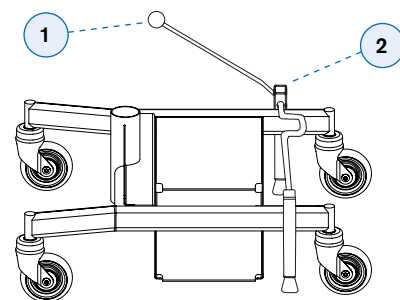
Once the seat reaches the required height, release the lever (1).



HANDBRAKE

The brake is controlled by a lever (1). To apply: move the lever backwards. The brake lever can be installed on either side of the chair. The chair is equipped with H-base Maintenance and the brake can also be applied using the foot (2).

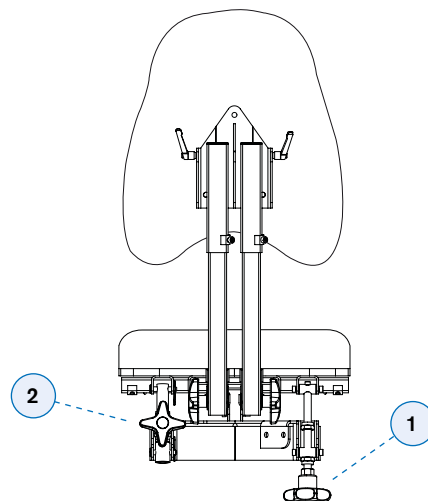
NOTE! The brake on the chair must always be applied when getting in and out of the chair. The brake must be checked on a regular basis. In case of wear, change the brake rubber. The braking function may be reduced on uneven surfaces.



SEAT TILT

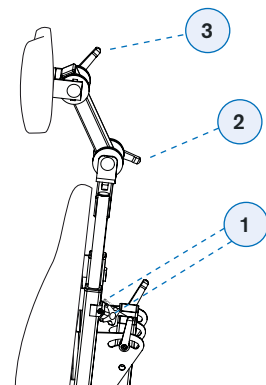
The chair has a seat tilt function. This adjusts the angle of the entire seat.

To adjust the angle, loosen the wheel (1) and then turn the knob (2) clockwise or counterclockwise until the preferred seat tilt angle has been set. Then retighten the wheel (1).



HEADREST

The height of the headrest can be adjusted by loosening the knobs (1) and then adjusting the height as required. Now retighten the knobs (1). To adjust the depth of the headrest cushion, loosen the handle (2), adjust to the required position, and then retighten the handle (2). To adjust the angle of the headrest cushion, loosen the handle (3), adjust to the required angle, and then retighten the handle (3).



CLEANING, MAINTENANCE AND CHARGING

The chair must be wiped down and kept free from dust and dirt:

Remove loose dirt, crumbs and the like. Apply a thin layer of foam and rub the foam in evenly with a damp cloth. Wipe with a clean and lightly dampened cloth. Vacuum clean when dry.

The fix lifting mechanism must be checked regularly for dust and dirt:

Raise the seat to its highest position. Clean with a cloth. Do not use any water or solvents. Then lubricate the cylinder with a thin layer of Teflon or silicone-based grease. These make less of a mess than mineral oil-based grease.