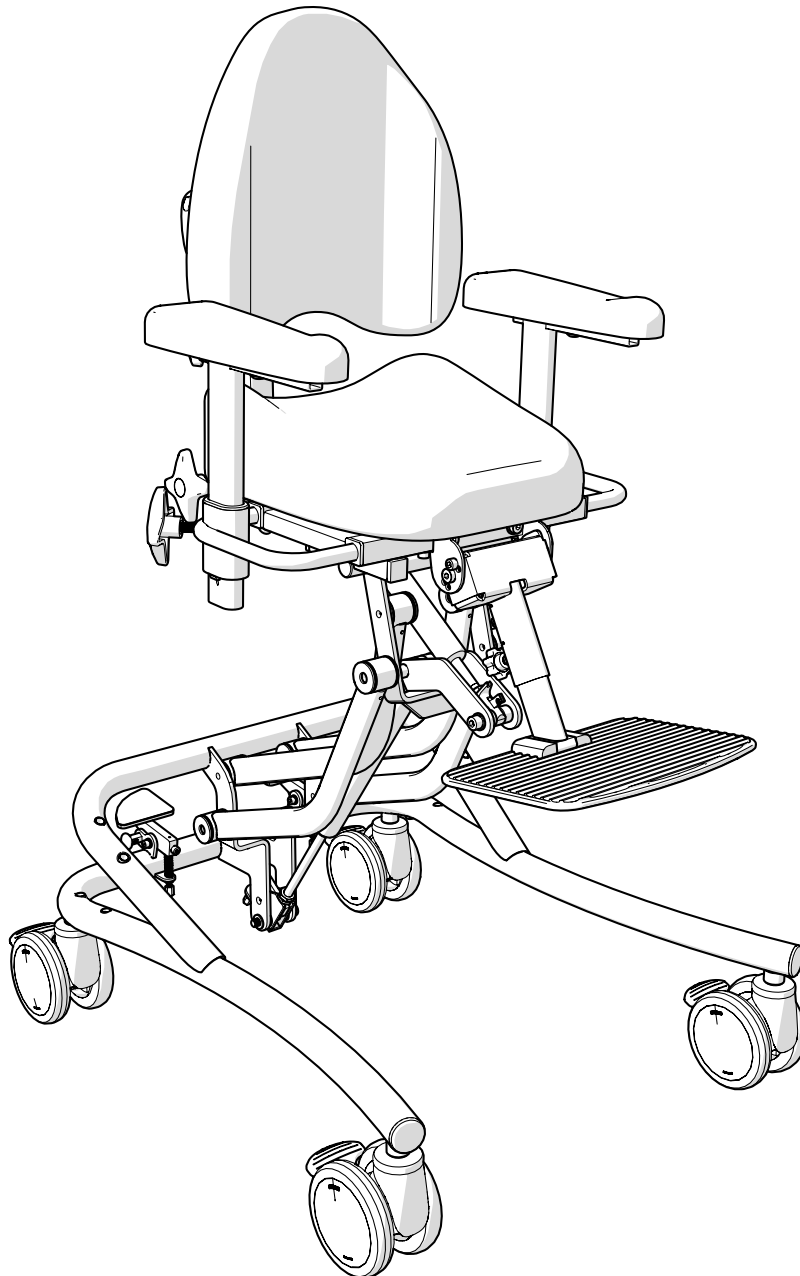




ENG

EVI





EVI is a medical device of Class I. It is CE marked in accordance with the Swedish Medical Products Agency's code of statutes for medical devices LVFS 2003:11. All textiles in the chair have been tested and approved in accordance with EN 1021-1 and EN 1021-2. Mercado Medic AB is certified to ISO 13485, 9001 and 14001, and complies with applicable labour and environmental laws.

If you have any questions about your product, or if something unexpected has happened, please contact your prescriber first, otherwise you are welcome to contact Mercado Medic AB.

PDF versions of our operating and maintenance instructions with magnification options can be found on our website www.mercado.se. There you will also find information about accessories that can be mounted on Mercado Medic's chairs as well as any safety messages to the market, prescription support or recalls of products and accessories.

We reserve the right to make changes to this manual and its contents.

Table of contents

| | |
|----------------------------------|----|
| 1. Important information | 4 |
| 2. Symbols | 6 |
| 3. Before use | 7 |
| 4. How to use the product | 8 |
| 5. Cleaning and maintenance..... | 13 |
| 6. Disposal and recycling | 14 |

1. Important information

The EVI chair has replaceable components, accessories and functions with options for individual settings. The chair must only be used by the person for whom it is intended and for the purpose for which it is designed. The chair is intended for indoor use only and must not be used outdoors. The chair must not be exposed to extreme cold or heat, prolonged sunlight or other radiation. The chair must not be exposed to water, other fluids or chemicals. Warning: Metal surfaces can become very hot if they have been exposed to sunlight. The chair must not be equipped with accessories or components other than the ones approved by Mercado Medic AB. Modifications or changes must not be carried out without Mercado Medic AB's approval.

- Sufficient competence to use this product safely is obtained by carefully reading these instructions for use and care before using the chair.
- The chair must be operated with care. Before moving, consideration must be given to the surroundings. Any pets or children on the floor could be easily run into. The chair must only be used to sit on and should not be regarded as a toy by either children or adults.
- Mercado Medic armrests, seats, backrests and other upholstery have been developed and produced to be free from toxic substances and allergens.
- Max user weight: 50 kg.
- Only use EVI on flat and level surfaces.
- The chair must be transported in the intended cardboard box on a pallet. If the chair is transported by car, it must be strapped in place using straps over both the frame and the seat, and it should be set to the lowest possible seat height. The seat height and tilt pedals must be locked during transportation.
- The chair is intended for use in between +5 and +40°C and 15% to 90% non-condensing humidity. If the chair has been stored in an environment outside these limits, then it must be left to acclimatise before use in order to ensure that it can be used safely.
- Repairs and other technical measures may only be carried out by personnel authorised by Mercado Medic AB.
- EVI is delivered as standard with seat, backrest, armrests, and footplate.
- Warranty period is two (2) years unless otherwise agreed. For warranty claims, please contact your Mercado Medic representative (see last page).
- Expected service life is ten (10) years.
- EVI can be supplemented with a variety of accessories. All accessories must be fitted so that there is no risk of small parts coming loose.

1.1. Guidelines for individual adaptations of Mercado Medic AB's products

Adaptations may only be made by personnel who have undergone Mercado Medic AB's training on servicing and reconditioning. Parts on the list of current combination agreements at www.mercado.se/mercado-dokument can be fitted within the scope of Mercado Medic AB's CE marking. If a part that is not on the list of current combination agreements is to be installed, the customer's authorised personnel must contact Mercado Medic AB for written approval.

Parts for assessment must be sent physically to Mercado Medic AB, either by the customer or by the supplier of the part in question. Mercado Medic AB will then contact the supplier of the part in question to see whether a combination agreement could possibly be of interest. Mercado Medic AB conducts a risk assessment for the requested part. When the risk assessment is complete, the customer receives a written opinion.

Chairs that have been modified as described below shall be verified by Mercado Medic AB in order for Mercado Medic AB to maintain product liability.

- Upholstery such as seats, backrests, armrests, side supports, trunk supports and headrests can be adjusted provided that they do not exceed the existing external dimensions on the product.

- Upholstery must be able to withstand the applicable ignition requirements and other environmental requirements.
- Surfaces that are loaded with significant vertical forces must not fall outside the area (frame) formed by the points of the wheel centres.

If these guidelines are met, Mercado Medic AB keeps the product liability for its product.

Products that are specially modified by healthcare services outside Mercado Medic AB's directive, where the healthcare services also take over the product liability, can be restored to their original condition. This must be done by an authorised technician approved by Mercado Medic AB. Mercado Medic AB then takes back the product liability according to CE marking 93/42 EEC; Medical Devices Directive.

If you have any questions regarding adaptations and special adaptations, please see contact information on the last page of this manual.

2. Symbols

Symbols that may appear on the product and what they mean.



1. Follow instructions for use



2. Separation of source materials



3. The product is part of a recycling process



4. Max user weight



5. Manufacturer

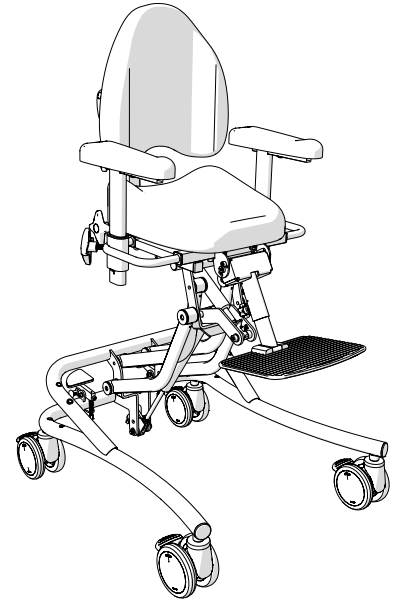


6. Risk of crushing. Any risks marked

3. Before use

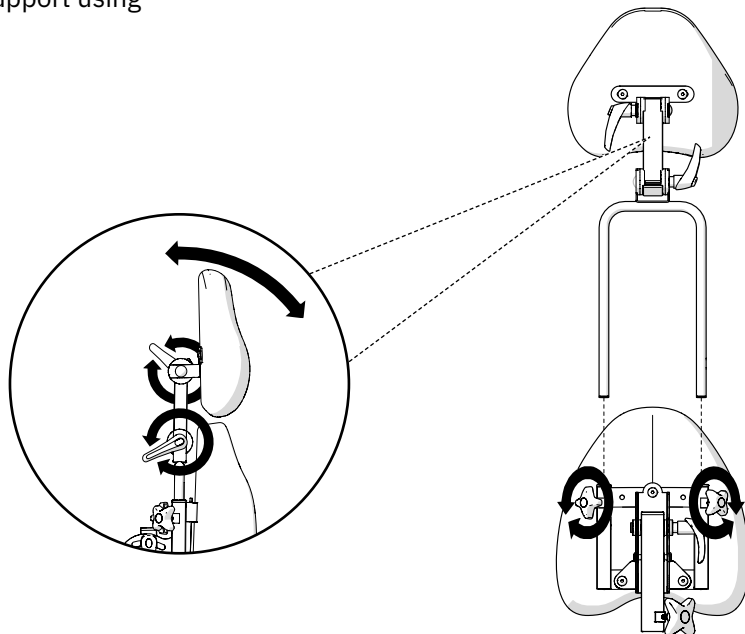
3.1. Standard configuration

The standard configuration is delivered ready to use out of the box.



3.2. Neck support (optional)

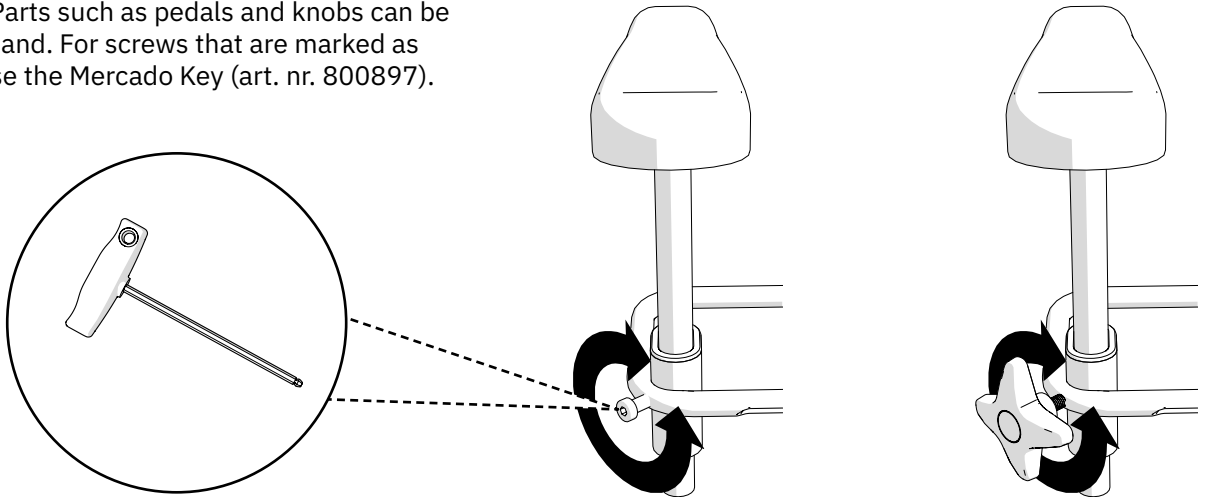
Attach the neck support on the back by sliding it in position. Adjust the position of the neck support using the knobs.



4. How to use the product

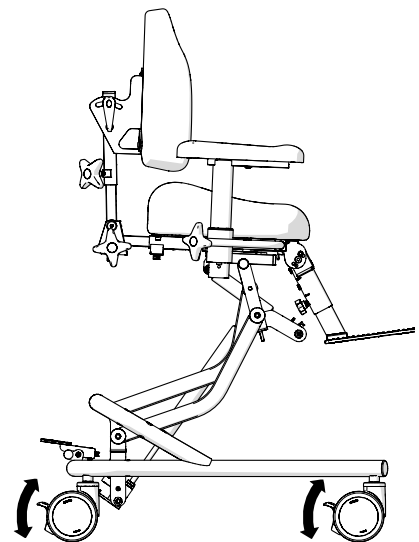
4.1. Adjustments

In this manual adjustable parts are marked with a black arrow. Parts such as pedals and knobs can be operated by hand. For screws that are marked as adjustable, use the Mercado Key (art. nr. 800897).



4.2. Brake

Activate and deactivate the brake on each wheel using the pedals.

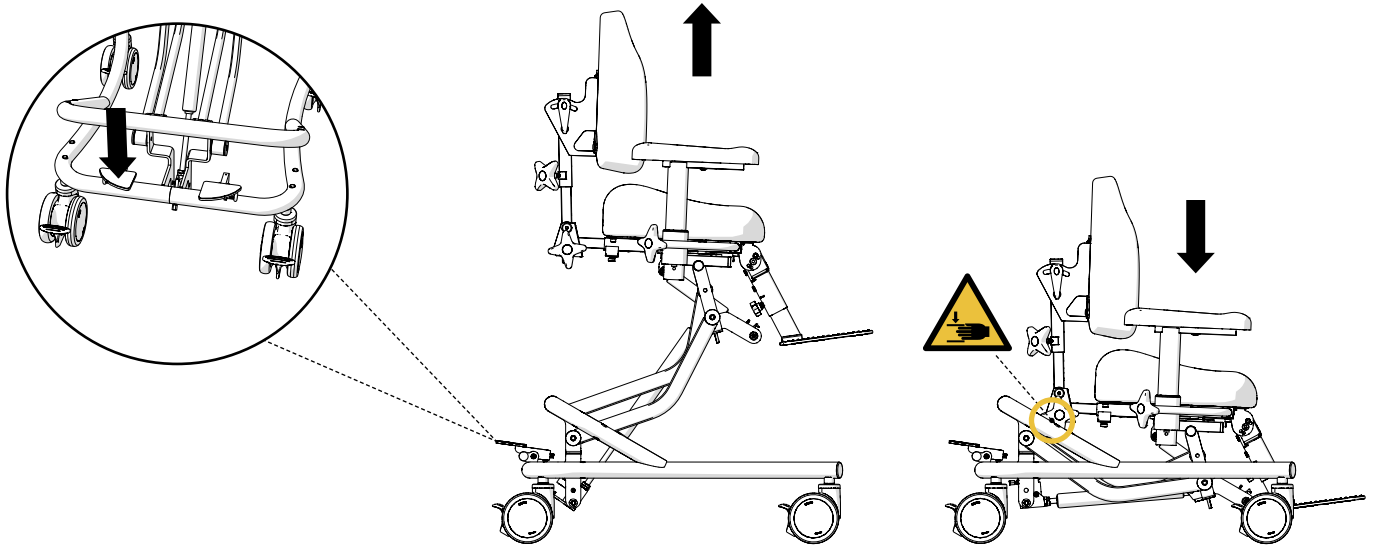


4.3. Seat height

Adjust the seat height using the pedal.



Warning! Risk of crushing between backrest mechanism and base when lowering the seat height, especially when tilted backward.

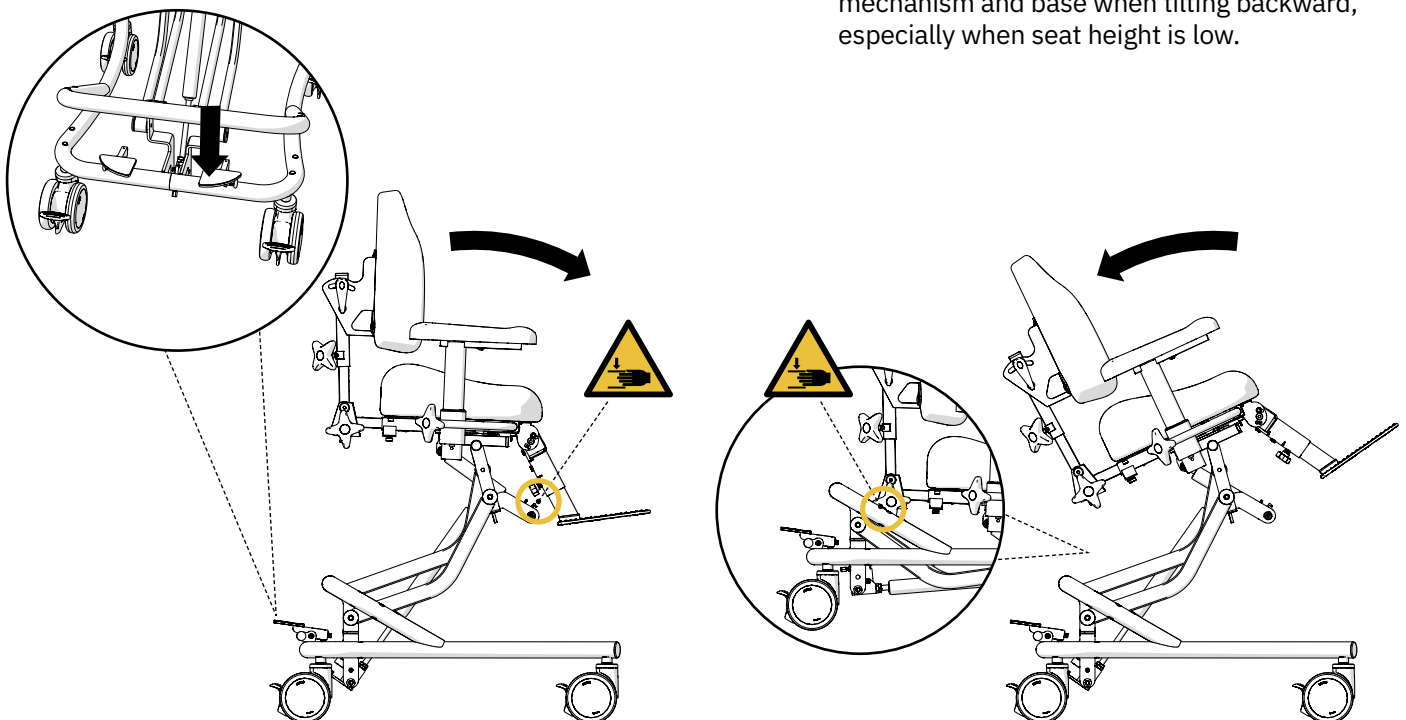


4.4. Seat tilt

Adjust the seat tilt using the pedal.

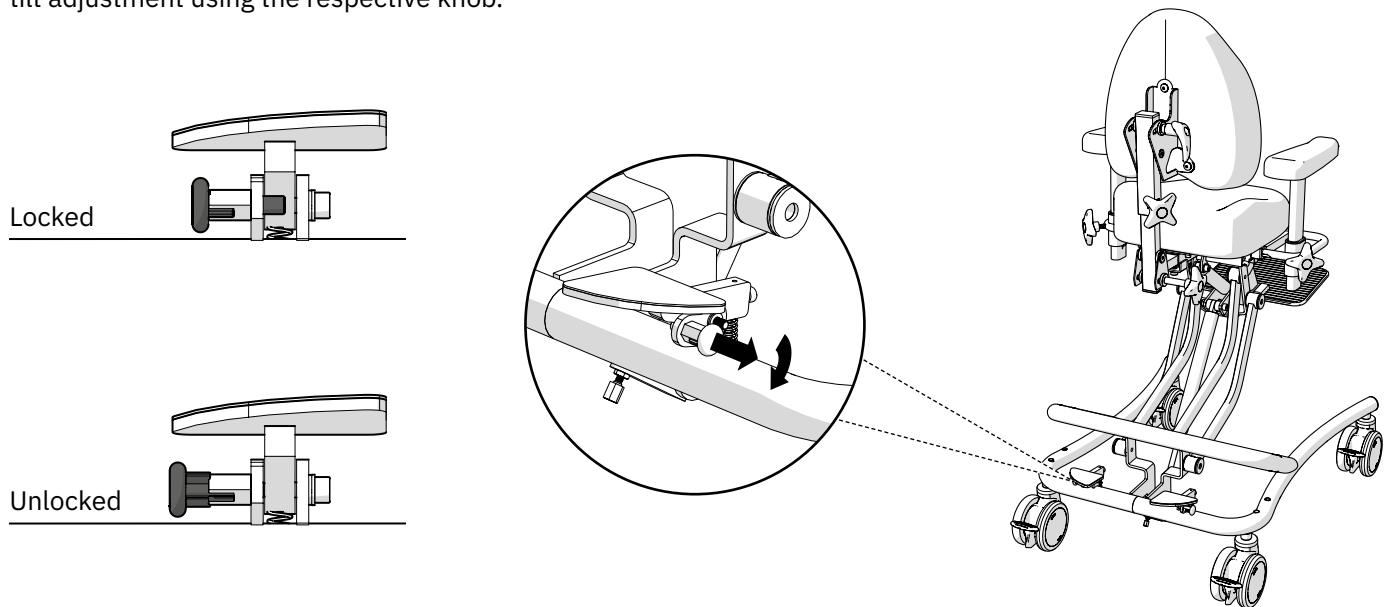


Warning! Risk of crushing between footplate and tiltmechanism on the frame when tilting forward. Risk of crushing between backrest mechanism and base when tilting backward, especially when seat height is low.



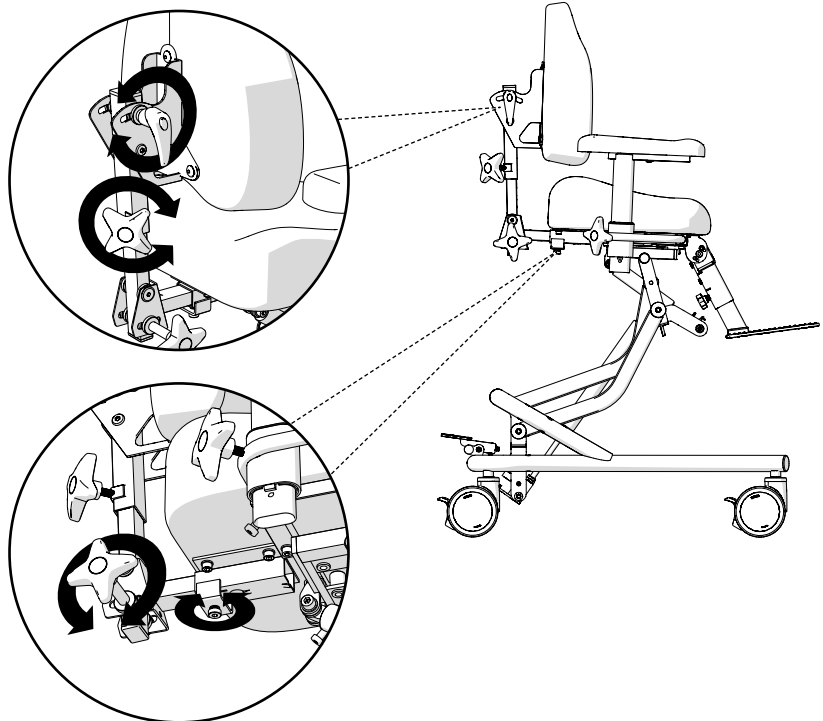
4.5. Pedal lock

To prevent unintentional use, the pedals can be locked. Lock and unlock the pedals used for seat and tilt adjustment using the respective knob.



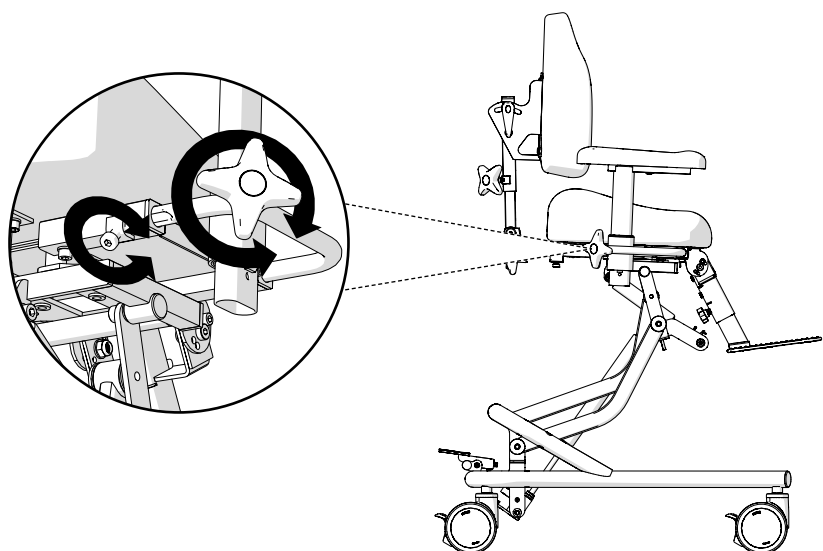
4.7. Backrest

Adjust the position of the backrest using the knobs and screw.



4.6. Armrests

Adjust the position of the armrests using the knobs and screws.



4.8. Leg support

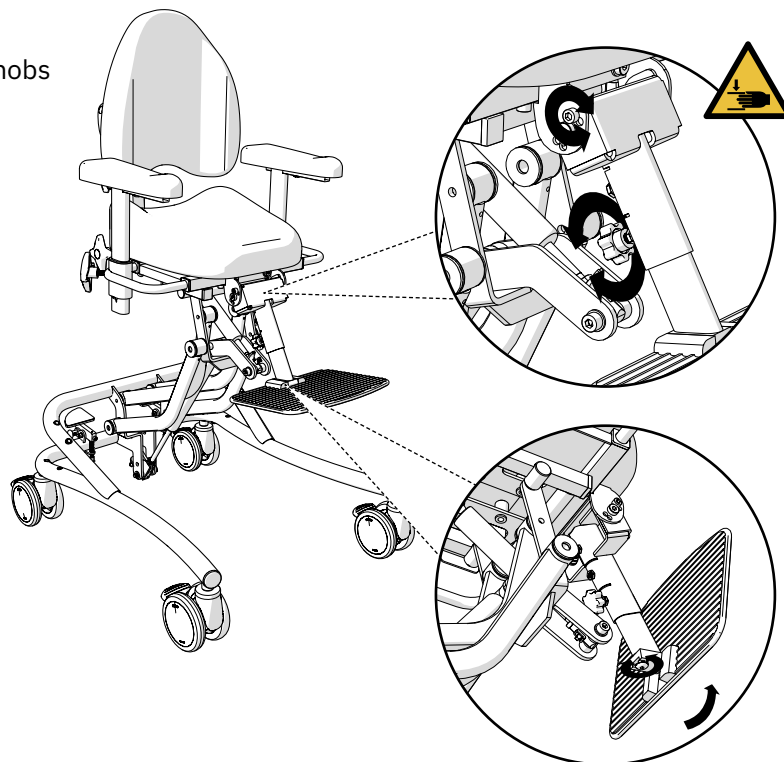
The chair is delivered with one of the two options for legs support.



Warning! A risk of pinching or crushing can appear if the angle of the leg support is adjusted too close to the tilting mechanism on the base of the chair.

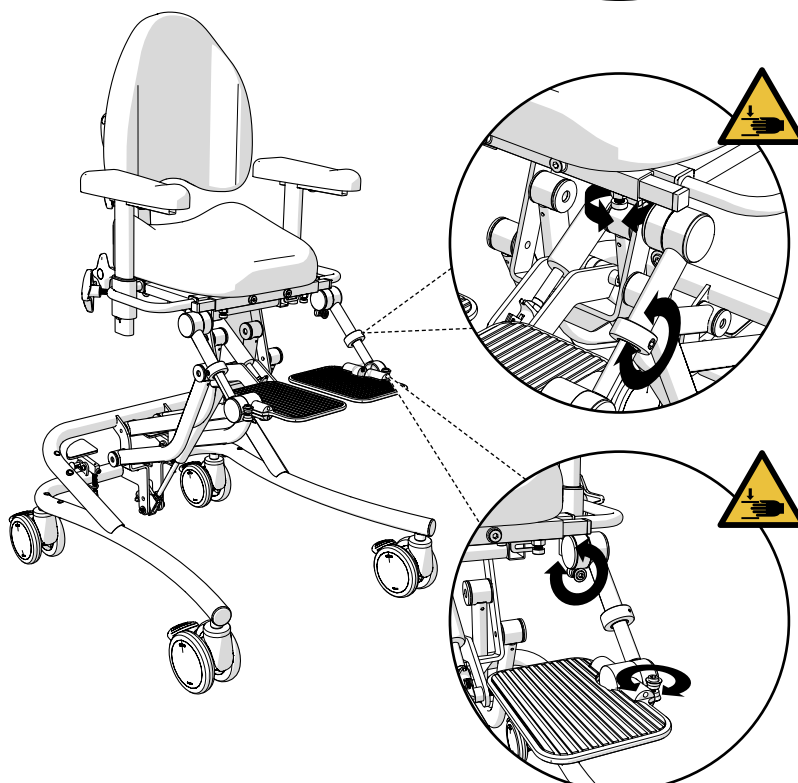
Leg support middle mounted

Adjust the position of the leg support using the knobs and screws.



Leg support Medic divided

Adjust the position of the leg support using the screws.



5. Cleaning and maintenance

- The chair should be wiped down and kept clean from dust and dirt.
- The chair should be washed using a disinfectant with PH 7–12 (concentrated), with the exception of the upholstery.
- Clean the upholstery with foam-wash;
 - Remove dirt, crumbs etc.
 - Apply a thin layer of foam and rub it in evenly using a moist cloth.
 - Wipe dry with a clean, slightly damp cloth.
 - Vacuum well when dry.
- Artificial leather should be washed with soap water or wiped clean with alcohol solution, for example disinfectant.
- Leather upholstery requires a little extra maintenance;
 - Spills must be wiped up immediately with a damp cloth; never use strong cleaning agents.
 - Prevent upholstery from coming into contact with personal care products, such as make-up, hair gel etc.
 - Do not allow pets on leather furniture, their claws may scratch the leather.
 - Avoid direct and prolonged exposure to sunlight as it may cause the leather colour to fade in the long run.
- Seat, back support and other upholstery are not manufactured in impermeable materials for functional reasons.
- When reconditioning the chair, the seat and other upholstery should be replaced for hygienic reasons.
- The user or their assistant should remove dust, wipe clean and dry off the upholstery on the chair in accordance with the instructions above to the best of their ability and as needed. If this is not done satisfactorily, the chair will need to be reconditioned in order to guarantee hygienic safety.

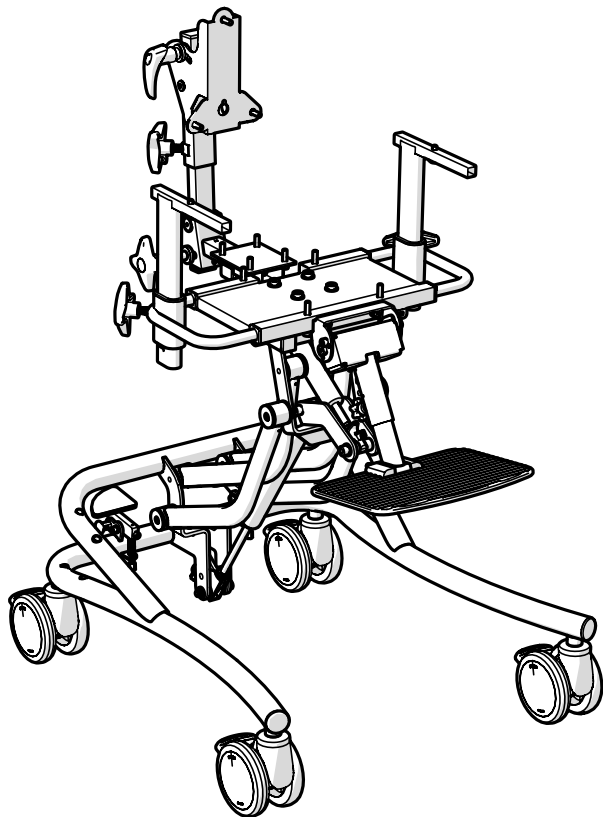
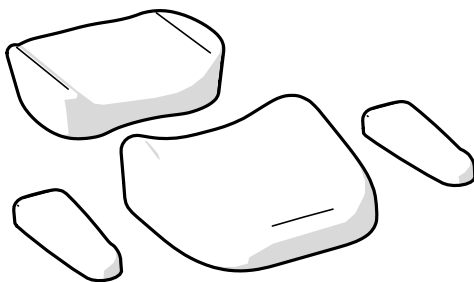
6. Disposal and recycling

6.1. Combustible

- Seat
- Back
- Armrest
- Headrest
- Other upholstery sold by Mercado Medic AB

6.2. Metal

- Frame
- Gas springs
- Seat frame
- Back recliner
- U-bars and armrest mechanism
- Other metal parts in products sold by Mercado Medic AB



Contact information

Mercado Medic Nederland BV



Mercado Medic Nederland BV

Nobelweg 22

3899 BN Zeewolde



Phone: +31 36 521 99 95

Fax: +31 36 521 99 90



www.mercado-medic.nl

admin@mercado-medic.nl

Room for product label
with serial number.



Mercado Medic AB
Tryffelslingan 14
SE-181 57 Lidingö
SWEDEN

Phone: +46 8 555 143 00
E-mail: info@mercado.se