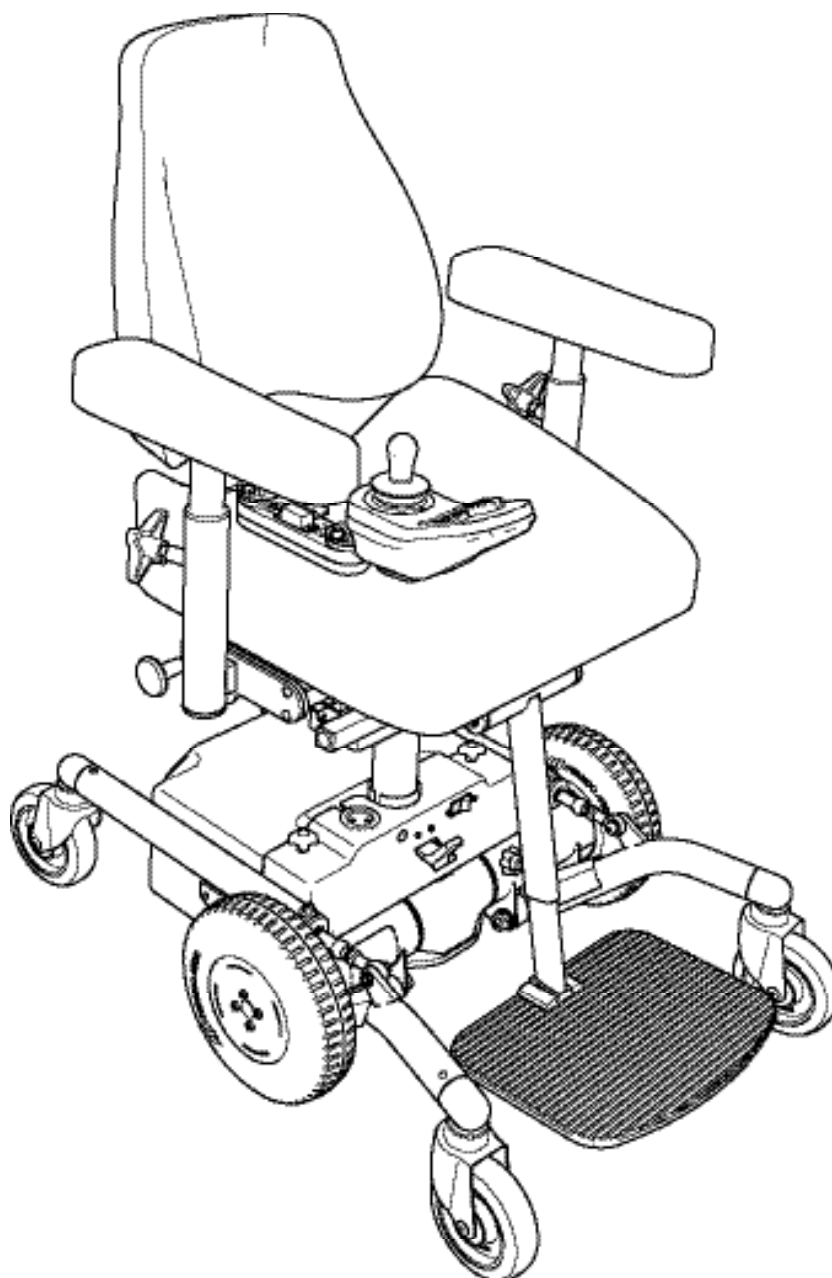




REAL 6100 PLUS – SPRÄNGSKISS
REAL 6100 PLUS – EXPLODED DIAGRAM

Dok.nr/Doc.no 19-05766
Revision/Revision 10
Ändrad/Changed 2024-04-09
Giltig från/Valid from 2012-04-01

P VERSION 010



Mercado Medic AB
Tryffelslingan 14
181 57 Lidingö

Telefon & Fax
Tel 08 555 143 00
Fax 08 555 143 99


Email & Internet
Email info@mercado.se
Internet www.mercado.se


Innehållsförteckning


Table of content


Detalj Detail	Sida Page
KLÄDSLAR OCH FÄRGKODER/UPHOLSTERY AND COLOUR CODES	3
SITTPLATTA/SEAT	4
SITTKRYSS/SEAT FRAME	10
MANÖVERBOXAR/CONTROL BOX	13
LYFTOMATER/LIFTOMATS	14
RYGGPLATTA/BACKREST	16
RYGGMEKANISM/BACKREST MECHANISM	23
ARMSTÖD/ARMRESTS 28	
ARMSTÖDSMEKANISMER/ARMREST MECHANISMS	29
CHASSIE/CHASSIS	30
HJUL/CASTORS	31
ELEKTRONIK/ELECTRONICS	32

FÖRKLARING AV SYMBOLER EXPLANATION OF THE SYMBOLS

 Artikel för REAL 6100 PLUS VUXEN
Article for REAL 6100 PLUS ADULT

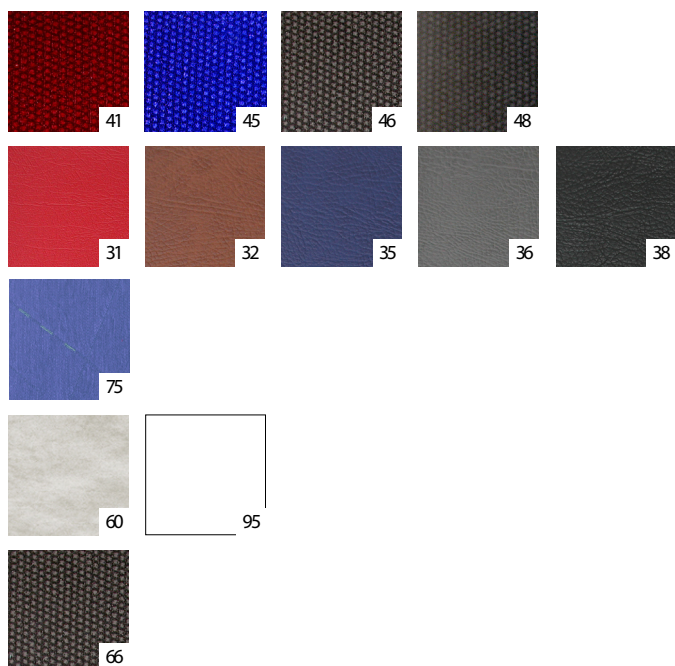
 Artikel för REAL 6100 PLUS BARN
Article for REAL 6100 PLUS CHILD

 Artikel för REAL 6100 PLUS MINI
Article for REAL 6100 PLUS MINI

 Artikel för alla REAL 6100 PLUS
Article for all REAL 6100 PLUS

Klädselar och färgkoder

Upholstery and colour codes



SIFFERKOD KLÄDSLAR (SIFFRA 7 OCH 8)
DIGITCODE UPHOLSTERY (DIGIT 7 AND 8)

Plusch/Plush
41 Vinröd/Bordeaux 45 Realblå/Royal blue
46 Grå/Grey 48 Svart/Black

Konstläder/Skai
31 Röd/Red 32 Brun/Brown 35 Blå/Blue
36 Grå/Grey 38 Svart/Black

Väv mönstrad Vuxen/Patterned fabric, Adult
75 Blå/75 Blue

Alternativ klädsel/Alternative covering
60 Hygienväv/Hygiene fabric
95 Utan klädsel/Without clothing

Överdragsklädsel/Covering
66 Inkontinensöverdrag grå plastad frotté/
Incontinence cover, grey plastic-coated terry

FÖRKLARING TILL STOPPDETALJERS ARTIKELNUMMER Art.nr: ST101546. = "Sits ErgoMedic, plysch grå 44x48 cm"
EXPLANATION OF THE ARTICLE NUMBERS STRUCTURE Article No: ST101546. = "ErgoMedic seat, plush grey 44x48 cm"

Siffror 1-2 = Typ av stoppningsartikel (ST = sits, BR = ryggplatta etc.)
Digit 1-2 = Type of upholstered article (1 = seat, 2 = back panel etc.)
Siffror 3-4 = Sittsystem (ErgoMedic, ErgoMedic PLUS etc.)
Digits 3-4 = Seat system (ErgoMedic, ErgoMedic PLUS etc.)
Siffror 5-6 = Storlek
Digit 5-6 = Size
Siffror 7 = Material (plysch, konstläder etc.)
Digit 7 = Material (plush, skai etc.)
Siffror 8 = Färg
Digit 8 = Colour

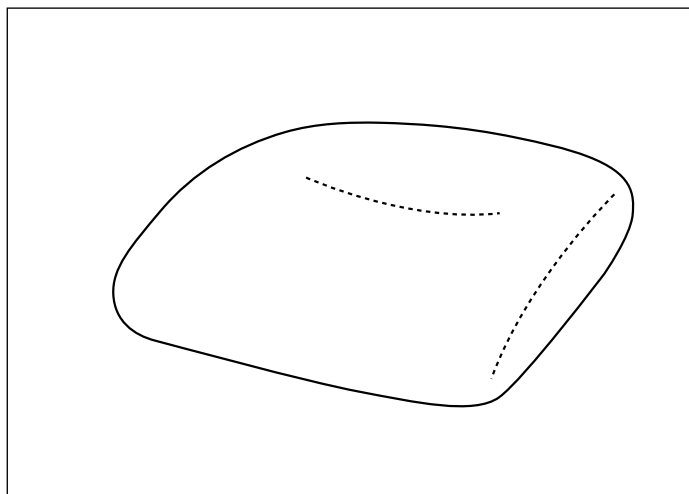
PREFIX FÖR UPPBYGGNADEN AV ARTIKELNUMMER
PREFIX FOR THE STRUCTURE OF THE ARTICLE NUMBER

AD	Adapter	Adapter	LD	Leg divider	Grenkil
AR	Armrest	Armstöd	LDC	Leg divider cover	Grenkil överdrag
ARM	Armrest mechanism	Armstödsmekanism	LS	Leg support	Benstöd
AS	Amputation support	Amputationsstöd	NS	Neck support	Nackstöd
ASC	Amputation support cover	Amputationsstöds överdrag	NSC	Neck support cover	Nackstöd överdrag
BD	Brake device	Handbroms	PB	Push bar	Körbygel
BE	Base	Stativ	RC	Rheumatic cross	Reumatikerkruss
BEA	Break accessory	Bromstillbehör	SA	Seat angle mechanism	Sitsvinkel
BEX	Base extender	Stativförlängare	SAR	Seat angle regulation	Sitsvinklins reglage
BR	Back rest	Rygg	SAP	Seat angle placement	Sitsvinklins placering
BRC	Back rest cover	Rygg överdrag	SH	Seat height	Sitthöjd
BRM	Back rest mechanism	Ryggmekanism	SS	Side support	Sidostöd
CS	Calf support	Vadstöd	SSC	Side support cover	Sidostöds överdrag
CSC	Calf support cover	Vadstöds överdrag	ST	Seat	Sits
FR	Foot ring	Fotring	STC	Seat cover	Sits överdrag
HB	Hip belt	Höftbälte	TA	Table	Bord
KS	Knee support	Knästopp	TS	Trunk support	Bålstöd
KSC	Knee support cover	Knästopps överdrag	TSC	Trunk support cover	Bålstöd överdrag
LB	Large ball	Stor kula	WE	Wheel	Hjul

Stycklista – Sittplatta

Part list – Seat

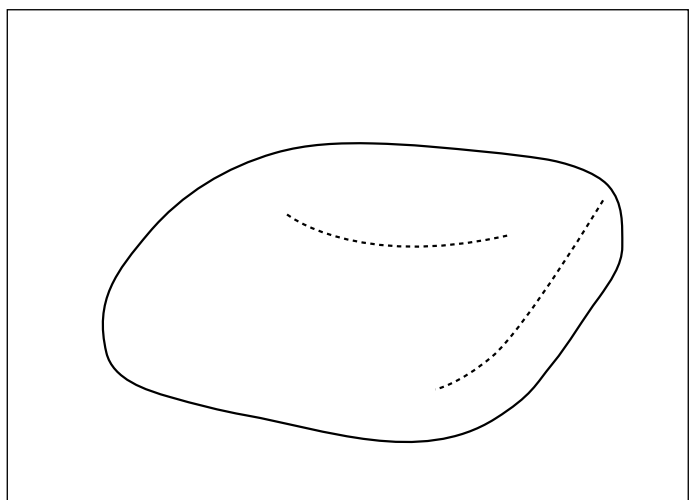
A01 Sits ErgoMedic
Seat ErgoMedic



Pos Art.nr Benämning
Pos Art.no Name

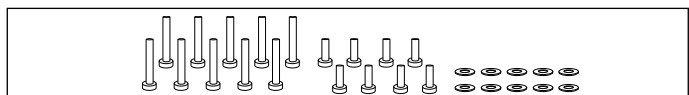
A01	1	ST100846	Sits ErgoMedic 44x53 Plysch Grå Seat ErgoMedic 44x53 Plush Grey
	2	ST101046 150461	Sits ErgoMedic 48x48 Plysch Grå Seat ErgoMedic 48x48 Plush Grey
	3	ST101346	Sits ErgoMedic 44x53 Plysch Grå Seat ErgoMedic 44x53 Plush Grey
	4	ST101546 150460	Sits ErgoMedic 44x48 Plysch Grå Seat ErgoMedic 44x48 Plush Grey
	5	ST102046 150462	Sits ErgoMedic 44x43 Plysch Grå Seat ErgoMedic 44x43 Plush Grey
	6	ST102546 150469	Sits ErgoMedic 40x48 Plysch Grå Seat ErgoMedic 40x48 Plush Grey
	7	ST103046 150463	Sits ErgoMedic 40x43 Plysch Grå Seat ErgoMedic 40x43 Plush Grey
	8	ST103546 150464	Sits ErgoMedic 40x39 Plysch Grå Seat ErgoMedic 40x39 Plush Grey
	9	ST104046 150467	Sits ErgoMedic 36x43 Plysch Grå Seat ErgoMedic 36x43 Plush Grey
	10	ST104546 150465	Sits ErgoMedic 36x39 Plysch Grå Seat ErgoMedic 36x39 Plush Grey
	11	ST105046 150466	Sits ErgoMedic 33x35 Plysch Grå Seat ErgoMedic 33x35 Plush Grey
	12	ST105546 150468	Sits ErgoMedic 29x32 Plysch Grå Seat ErgoMedic 29x32 Plush Grey

B01 Sits ErgoMedic Slow Recovery
Seat ErgoMedic Slow Recovery



B01	1	ST111546 155460	Sits ErgoMedic Slow Recovery 44x48 Plysch Grå Seat ErgoMedic Slow Recovery 44x48 Plush Grey
	2	ST111046 155461	Sits ErgoMedic Slow Recovery 48x48 Plysch Grå Seat ErgoMedic Slow Recovery 48x48 Plush Grey
	3	ST112046 155462	Sits ErgoMedic Slow Recovery 44x43 Plysch Grå Seat ErgoMedic Slow Recovery 44x43 Plush Grey
	4	ST112546 155469	Sits ErgoMedic Slow Recovery 40x48 Plysch Grå Seat ErgoMedic Slow Recovery 40x48 Plush Grey
	5	ST113046 155463	Sits ErgoMedic Slow Recovery 40x43 Plysch Grå Seat ErgoMedic Slow Recovery 40x43 Plush Grey
	6	ST113546 155464	Sits ErgoMedic Slow Recovery 40x39 Plysch Grå Seat ErgoMedic Slow Recovery 40x39 Plush Grey
	7	ST114046 155467	Sits ErgoMedic Slow Recovery 36x43 Plysch Grå Seat ErgoMedic Slow Recovery 36x43 Plush Grey
	8	ST114546 155465	Sits ErgoMedic Slow Recovery 36x39 Plysch Grå Seat ErgoMedic Slow Recovery 36x39 Plush Grey
	9	ST115046 155466	Sits ErgoMedic Slow Recovery 33x35 Plysch Grå Seat ErgoMedic Slow Recovery 33x35 Plush Grey

C01

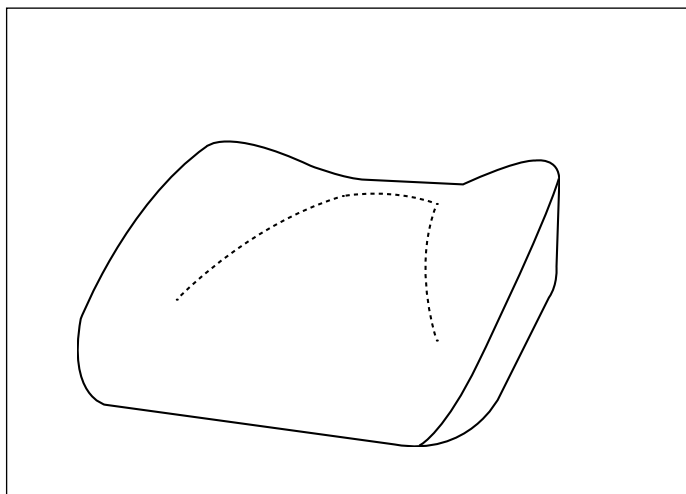


C01 803269 Skruvsats f montering av sittplatta
Screw kit for seat assembly

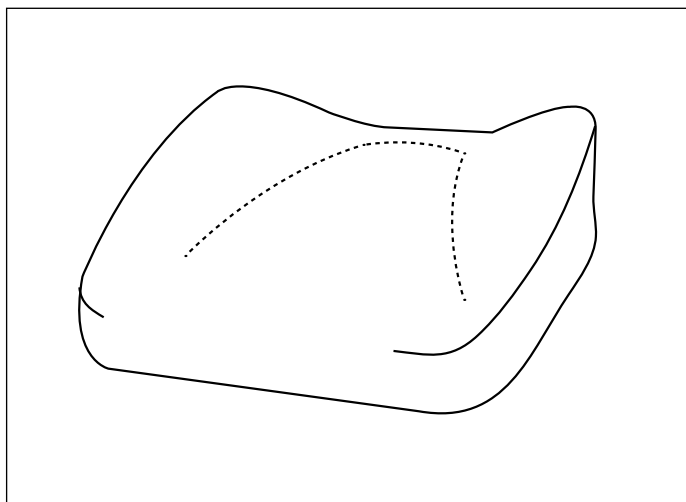
Stycklista – Sittplatta

Part list – Seat

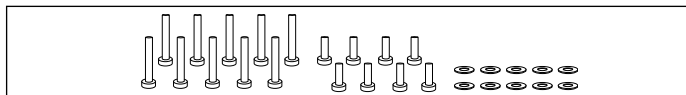
D01 Sits ErgoMedic PLUS
Seat ErgoMedic PLUS



E01 Sits ErgoMedic PLUS Slow Recovery
Seat ErgoMedic Slow Recovery



F01



Pos Art.nr Benämning
Pos Art.no Name

D01	1	ST200846	Sits ErgoMedic PLUS 48x53 Plysch Grå Seat ErgoMedic PLUS 48x53 Plush Grey
	2	ST201046 151461	Sits ErgoMedic PLUS 48x48 Plysch Grå Seat ErgoMedic PLUS 48x48 Plush Grey
	3	ST201346	Sits ErgoMedic PLUS 44x53 Plysch Grå Seat ErgoMedic PLUS 44x53 Plush Grey
	4	ST201546 151460	Sits ErgoMedic PLUS 44x48 Plysch Grå Seat ErgoMedic PLUS 44x48 Plush Grey
	5	ST202046 151462	Sits ErgoMedic PLUS 44x43 Plysch Grå Seat ErgoMedic PLUS 44x43 Plush Grey
	6	ST202546 151469	Sits ErgoMedic PLUS 40x48 Plysch Grå Seat ErgoMedic PLUS 40x48 Plush Grey
	7	ST203046 151463	Sits ErgoMedic PLUS 40x43 Plysch Grå Seat ErgoMedic PLUS 40x43 Plush Grey
	8	ST203546 151464	Sits ErgoMedic PLUS 40x39 Plysch Grå Seat ErgoMedic PLUS 40x39 Plush Grey
	9	ST204046 151467	Sits ErgoMedic PLUS 36x43 Plysch Grå Seat ErgoMedic PLUS 36x43 Plush Grey
	10	ST204546 151465	Sits ErgoMedic PLUS 36x39 Plysch Grå Seat ErgoMedic PLUS 36x39 Plush Grey
	11	ST205046 151466	Sits ErgoMedic PLUS 33x35 Plysch Grå Seat ErgoMedic PLUS 33x35 Plush Grey
	12	ST205546 151468	Sits ErgoMedic PLUS 29x32 Plysch Grå Seat ErgoMedic PLUS 29x32 Plush Grey

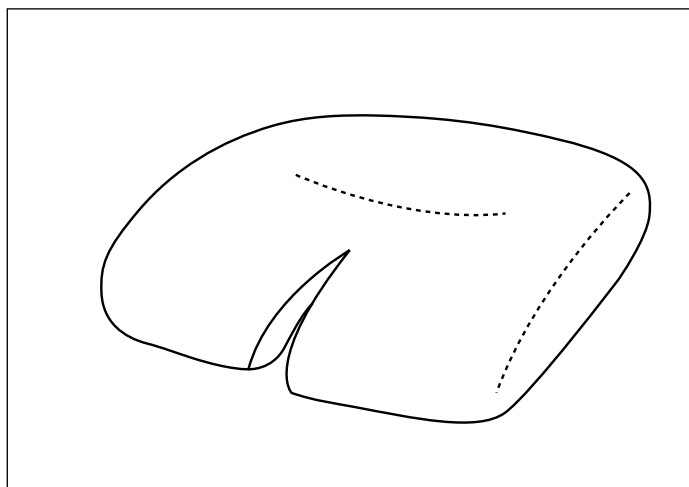
E01	1	ST210846	Sits EM PLUS Slow Recovery 48x53 Plysch Grå Seat EM PLUS Slow Recovery 48x53 Plush Grey
	2	ST211046 156461	Sits EM PLUS Slow Recovery 48x48 Plysch Grå Seat EM PLUS Slow Recovery 48x48 Plush Grey
	3	ST211346	Sits EM PLUS Slow Recovery 44x53 Plysch Grå Seat EM PLUS Slow Recovery 44x53 Plush Grey
	4	ST211546 156460	Sits EM PLUS Slow Recovery 44x48 Plysch Grå Seat EM PLUS Slow Recovery 44x48 Plush Grey
	5	ST212046 156462	Sits EM PLUS Slow Recovery 44x43 Plysch Grå Seat EM PLUS Slow Recovery 44x43 Plush Grey
	6	ST212546 156469	Sits EM PLUS Slow Recovery 40x48 Plysch Grå Seat EM Slow PLUS Recovery 40x48 Plush Grey
	7	ST213046 156463	Sits EM PLUS Slow Recovery 40x43 Plysch Grå Seat EM PLUS Slow Recovery 40x43 Plush Grey
	8	ST213546 156464	Sits EM PLUS Slow Recovery 40x39 Plysch Grå Seat EM PLUS Slow Recovery 40x39 Plush Grey
	9	ST214046 156467	Sits EM PLUS Slow Recovery 36x43 Plysch Grå Seat EM PLUS Slow Recovery 36x43 Plush Grey
	10	ST214546 156465	Sits EM PLUS Slow Recovery 36x39 Plysch Grå Seat EM PLUS Slow Recovery 36x39 Plush Grey
	11	ST215046 156466	Sits EM PLUS Slow Recovery 33x35 Plysch Grå Seat EM PLUS Slow Recovery 33x35 Plush Grey

F01 803269 Skruvsats f monterng av sittplatta
Screw kit for seat assembly

Stycklista – Sittplatta Coxit

Part list – Seat Coxit

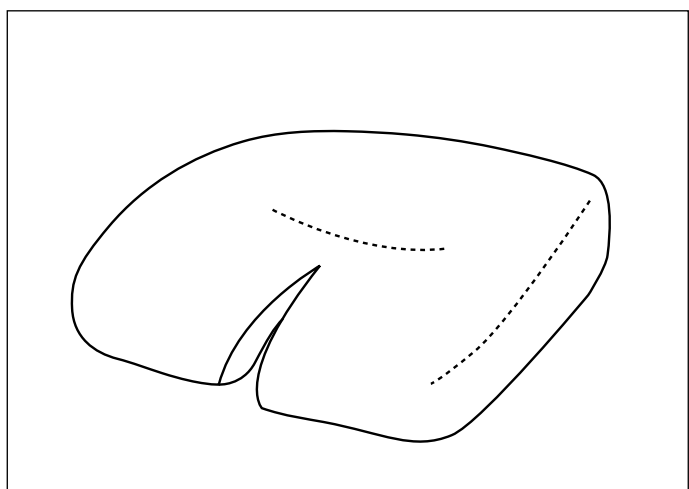
A01 Sits Coxit ErgoMedic
Seat Coxit ErgoMedic



Pos	Art.nr	Benämning
Pos	Art.no	Name

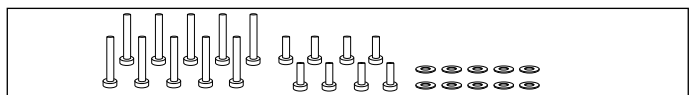
A01	1	ST131546 160460	Sits Coxit Int ErgoMedic 44x48 Plysch Grå Seat Coxit Int ErgoMedic 44x48 Plush Grey
	2	ST131046 160461	Sits Coxit Int ErgoMedic 48x48 Plysch Grå Seat Coxit Int ErgoMedic 48x48 Plush Grey
	3	ST132046 160462	Sits Coxit Int ErgoMedic 44x43 Plysch Grå Seat Coxit Int ErgoMedic 44x43 Plush Grey
	4	ST132546 160469	Sits Coxit Int ErgoMedic 40x48 Plysch Grå Seat Coxit Int ErgoMedic 40x48 Plush Grey
	5	ST133046 160463	Sits Coxit Int ErgoMedic 40x43 Plysch Grå Seat Coxit Int ErgoMedic 40x43 Plush Grey
	6	ST133546 160464	Sits Coxit Int ErgoMedic 40x39 Plysch Grå Seat Coxit Int ErgoMedic 40x39 Plush Grey

B01 Sits Coxit ErgoMedic Slow Recovery
Seat Coxit ErgoMedic Slow Recovery



B01	1	ST141546 165460	Sits Coxit Int ErgoMedic Slow 44x48 Plysch Grå Seat Coxit Int ErgoMedic Slow 44x48 Plush Grey
	2	ST141046 165461	Sits Coxit Int ErgoMedic Slow 48x48 Plysch Grå Seat Coxit Int ErgoMedic Slow 48x48 Plush Grey
	3	ST142046 165462	Sits Coxit Int ErgoMedic Slow 44x43 Plysch Grå Seat Coxit Int ErgoMedic Slow 44x43 Plush Grey
	4	ST142546 165469	Sits Coxit Int ErgoMedic Slow 40x48 Plysch Grå Seat Coxit Int ErgoMedic Slow 40x48 Plush Grey
	5	ST143046 165463	Sits Coxit Int ErgoMedic Slow 40x43 Plysch Grå Seat Coxit Int ErgoMedic Slow 40x43 Plush Grey
	6	ST143546 165464	Sits Coxit Int ErgoMedic Slow 40x39 Plysch Grå Seat Coxit Int ErgoMedic Slow 40x39 Plush Grey

C01

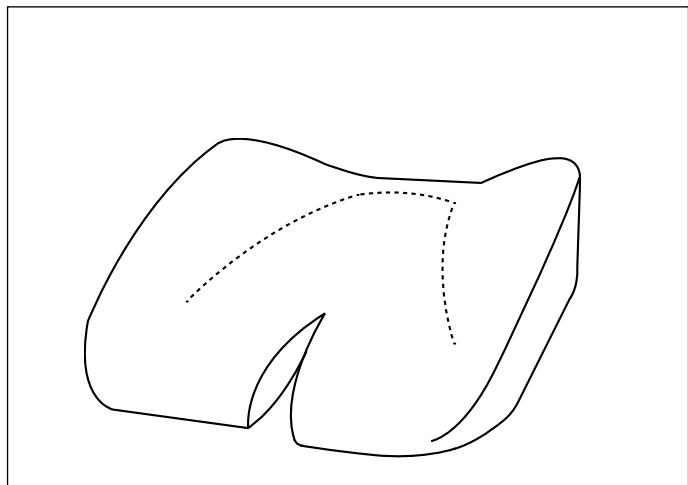


C01	803269	Skrusats f montering av sittplatta Screw kit for seat assembly
-----	------------------------	---

Stycklista – Sittplatta Coxit

Part list – Seat Coxit

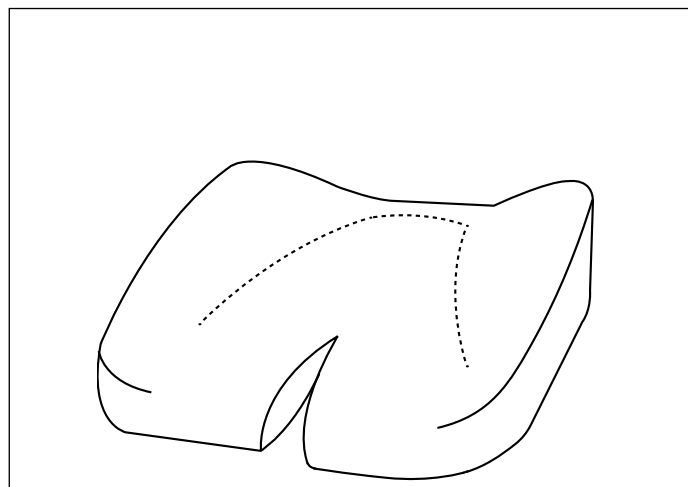
D01 Sits Coxit ErgoMedic PLUS
Seat Coxit ErgoMedic PLUS



Pos Art.nr Benämning
Pos Art.no Name

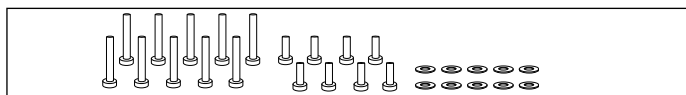
D01	1	ST231546 161460	Sits Coxit Int EM PLUS 44x48 Plysch Grå Seat Coxit Int EM PLUS 44x48 Plush Grey
	2	ST231046 161461	Sits Coxit Int EM PLUS 48x48 Plysch Grå Seat Coxit Int EM PLUS 48x48 Plush Grey
	3	ST232046 161462	Sits Coxit Int EM PLUS 44x43 Plysch Grå Seat Coxit Int EM PLUS 44x43 Plush Grey
	4	ST232546 161469	Sits Coxit Int EM PLUS 40x48 Plysch Grå Seat Coxit Int EM PLUS 40x48 Plush Grey
	5	ST233046 161463	Sits Coxit Int EM PLUS 40x43 Plysch Grå Seat Coxit Int EM PLUS 40x43 Plush Grey
	6	ST233546 161464	Sits Coxit Int EM PLUS 40x39 Plysch Grå Seat Coxit Int EM PLUS 40x39 Plush Grey

E01 Sits Coxit ErgoMedic PLUS Slow Recovery
Seat Coxit ErgoMedic PLUS Slow Recovery



E01	1	ST241546 166460	Sits Coxit Int EM PLUS Slow 44x48 Plysch Grå Seat Coxit Int EM PLUS Slow 44x48 Plush Grey
	2	ST241046 166461	Sits Coxit Int EM PLUS Slow 48x48 Plysch Grå Seat Coxit Int EM PLUS Slow 48x48 Plush Grey
	3	ST242046 166462	Sits Coxit Int EM PLUS Slow 44x43 Plysch Grå Seat Coxit Int EM PLUS Slow 44x43 Plush Grey
	4	ST242546 166469	Sits Coxit Int EM PLUS Slow 40x48 Plysch Grå Seat Coxit Int EM Slow PLUS 40x48 Plush Grey
	5	ST243046 166463	Sits Coxit Int EM PLUS Slow 40x43 Plysch Grå Seat Coxit Int EM PLUS Slow 40x43 Plush Grey
	6	ST243546 166464	Sits Coxit Int EM PLUS Slow 40x39 Plysch Grå Seat Coxit Int EM PLUS Slow 40x39 Plush Grey

F01

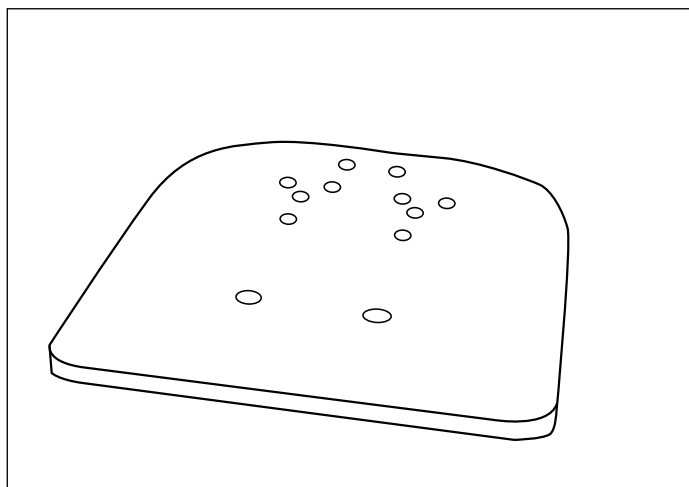


F01 803269 Skruvsats f montering av sittplatta
Screw kit for seat assembly

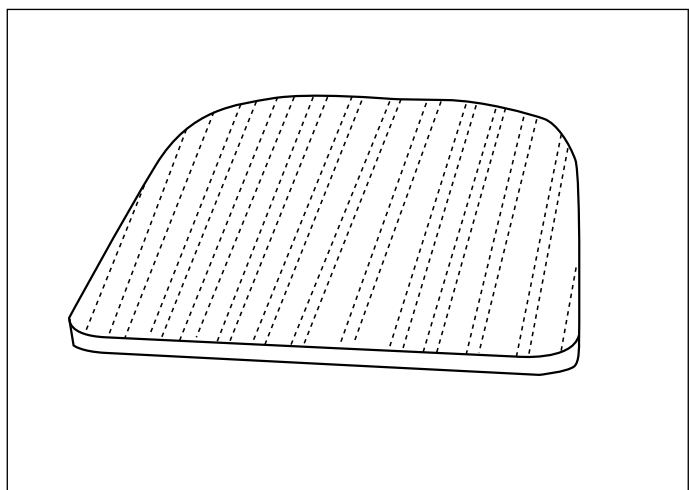
Stycklista – Sittplatta

Part list – Seat

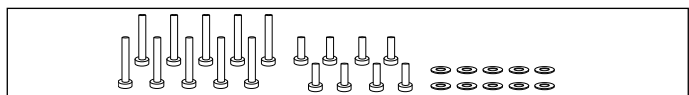
A01 Sittplatta endast träplatta
Seat woodenplate whitout fabric



B01 Sittplatta Träplatta med antiglid
Seat woodenplate with antiglide



C01



Pos Art.nr Benämning
Pos Art.no Name

Pos	Art.nr	Benämning
Pos	Art.no	Name
A01 1	ST100890	Sits ErgoMedic 48x53 Träplatta u Stoppning Seat ErgoMedic 48x53 Woodenplate Without upholstery
2	ST101090 150901	Sits ErgoMedic 48x48 Träplatta u Stoppning Seat ErgoMedic 48x48 Woodenplate Without upholstery
3	ST101390	Sits ErgoMedic 44x53 Träplatta u Stoppning Seat ErgoMedic 44x53 Woodenplate Without upholstery
4	ST101590 150900	Sits ErgoMedic 44x48 Träplatta u Stoppning Seat ErgoMedic 44x48 Woodenplate Without upholstery
5	ST102090 150902	Sits ErgoMedic 44x43 Träplatta u Stoppning Seat ErgoMedic 44x43 Woodenplate Without upholstery
6	ST102590 150909	Sits ErgoMedic 40x48 Träplatta u Stoppning Seat ErgoMedic 40x48 Woodenplate Without upholstery
7	ST103090 150903	Sits ErgoMedic 40x43 Träplatta u Stoppning Seat ErgoMedic 40x43 Woodenplate Without upholstery
8	ST103590 150904	Sits ErgoMedic 40x39 Träplatta u Stoppning Seat ErgoMedic 40x39 Woodenplate Without upholstery
9	ST104090 150907	Sits ErgoMedic 36x43 Träplatta u Stoppning Seat ErgoMedic 36x43 Woodenplate Without upholstery
10	ST104590 150905	Sits ErgoMedic 36x39 Träplatta u Stoppning Seat ErgoMedic 36x39 Woodenplate Without upholstery
11	ST105090 150906	Sits ErgoMedic 33x35 Träplatta u Stoppning Seat ErgoMedic 33x35 Woodenplate Without upholstery
12	ST105590 150908	Sits ErgoMedic 29x32 Träplatta u Stoppning Seat ErgoMedic 29x32 Woodenplate Without upholstery

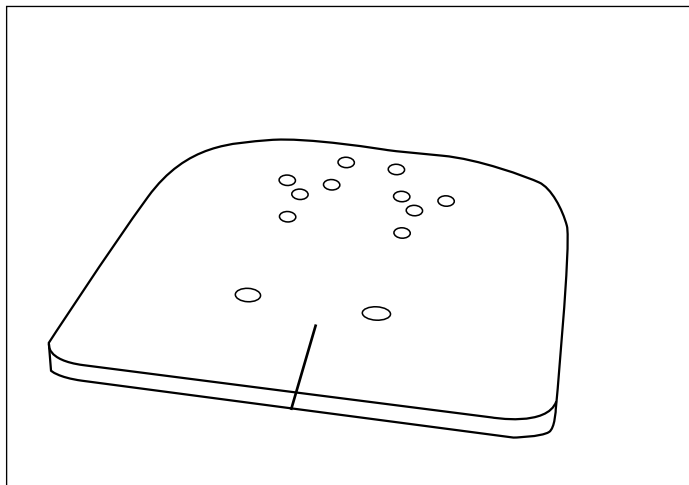
B01 1	ST100861	Sits ErgoMedic 48x53 Antiglid matta Seat ErgoMedic 48x53 Antiglide
2	ST101061 150611	Sits ErgoMedic 48x48 Antiglid matta Seat ErgoMedic 48x48 Antiglide
3	ST101361	Sits ErgoMedic 44x53 Antiglid matta Seat ErgoMedic 44x53 Antiglide
4	ST101561 150610	Sits ErgoMedic 44x48 Antiglid matta Seat ErgoMedic 44x48 Antiglide
5	ST102061 150612	Sits ErgoMedic 44x43 Antiglid matta Seat ErgoMedic 44x43 Antiglide
6	ST102561 150619	Sits ErgoMedic 40x48 Antiglid matta Seat ErgoMedic 40x48 Antiglide
7	ST103061 150613	Sits ErgoMedic 40x43 Antiglid matta Seat ErgoMedic 40x43 Antiglide
8	ST103561 150614	Sits ErgoMedic 40x39 Antiglid matta Seat ErgoMedic 40x39 Antiglide
9	ST104061 150617	Sits ErgoMedic 36x43 Antiglid matta Seat ErgoMedic 36x43 Antiglide
10	ST104561 150615	Sits ErgoMedic 36x39 Antiglid matta Seat ErgoMedic 36x39 Antiglide
11	ST105061 150616	Sits ErgoMedic 33x35 Antiglid matta Seat ErgoMedic 33x35 Antiglide
12	ST105561 150618	Sits ErgoMedic 29x32 Antiglid matta Seat ErgoMedic 29x32 Antiglide

C01 803269 Skruvsats f montering av sittplatta
Screw kit for seat assembly

Stycklista – Sittplatta Coxit

Part list – Seat Coxit

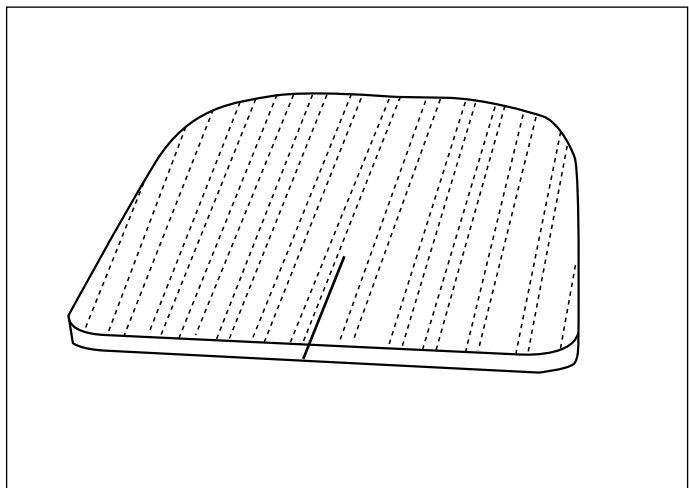
D01 Sittplatta Coxit endast träplatta
Seat Coxit woodenplate whitout fabric



Pos Art.nr Benämning
Pos Art.no Name

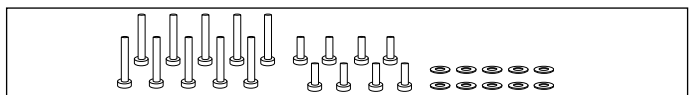
Pos	Art.nr	Benämning
D01 1	ST131590 160900	Sits ErgoM Coxit 44x48 Träplatta u Stoppning Seat ErgoM Coxit 44x48 Woodenplate Without fabric
2	ST131090 160901	Sits ErgoM Coxit 48x48 Träplatta u Stoppning Seat ErgoM Coxit 48x48 Woodenplate Without fabric
3	ST132090 160902	Sits ErgoM Coxit 44x43 Träplatta u Stoppning Seat ErgoM Coxit 44x43 Woodenplate Without fabric
4	ST132590 160909	Sits ErgoM Coxit 40x48 Träplatta u Stoppning Seat ErgoM Coxit 40x48 Woodenplate Without fabric
5	ST133090 160903	Sits ErgoM Coxit 40x43 Träplatta u Stoppning Seat ErgoM Coxit 40x43 Woodenplate Without fabric
6	ST133590 160904	Sits ErgoM Coxit 40x39 Träplatta u Stoppning Seat ErgoM Coxit 40x39 Woodenplate Without fabric

E01 Sittplatta Träplatta Coxit med antiglid
Seat ErgoMedic Coxit with antiglide



Pos	Art.nr	Benämning
E01 1	ST131561 160610	Sits ErgoMedic Coxit 44x48 Antiglid matta Seat ErgoMedic Coxit 44x48 Antiglide
2	ST131061 160611	Sits ErgoMedic Coxit 48x48 Antiglid matta Seat ErgoMedic Coxit 48x48 Antiglide
3	ST132061 160612	Sits ErgoMedic Coxit 44x43 Antiglid matta Seat ErgoMedic Coxit 44x43 Antiglide
4	ST132561 160619	Sits ErgoMedic Coxit 40x48 Antiglid matta Seat ErgoMedic Coxit 40x48 Antiglide
5	ST133061 160613	Sits ErgoMedic Coxit 40x43 Antiglid matta Seat ErgoMedic Coxit 40x43 Antiglide
6	ST133561 160614	Sits ErgoMedic Coxit 40x39 Antiglid matta Seat ErgoMedic Coxit 40x39 Antiglide

F01

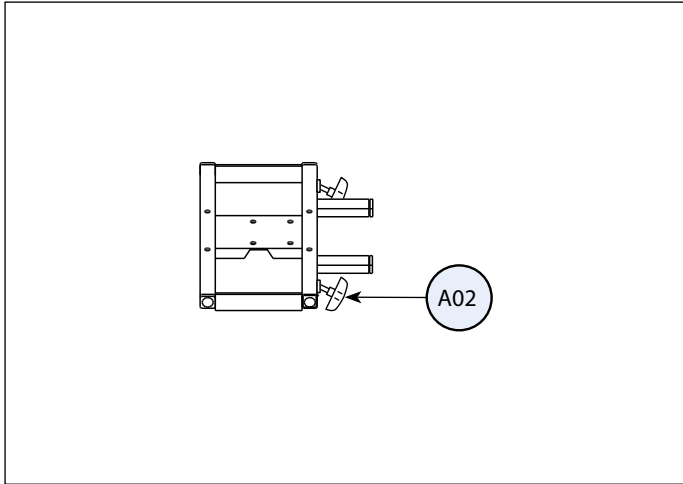


F01 803269 Skruvsats f montering av sittplatta
Screw kit for seat assembly

Stycklista – Sittkryss

Part list – Seatframe

A01 Sittkryss vinkelfast
Seatframe without angle adjustment

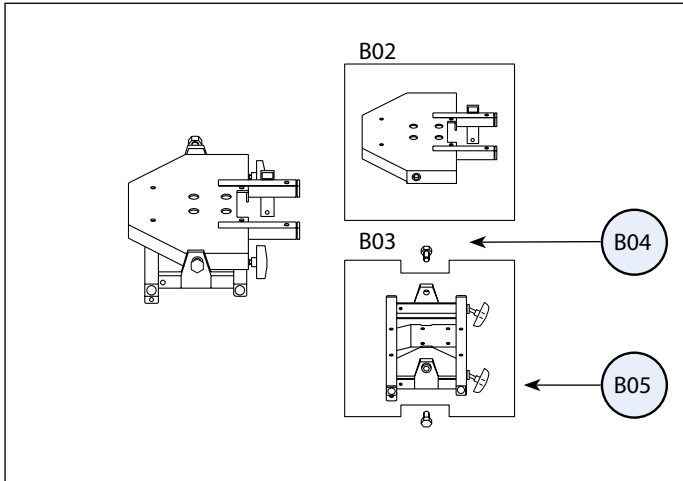


Pos Art.nr Benämning
Pos Art.no Name

A01	1	801231	Sittkryss 6100 Vf Br40-54 cm Seatframe 6100 without angle adjustment
	2	801378	Sittkryss 6100 Vf Br33-39 cm Seatframe 6100 without angle adjustment

A02 803005 Stjärnratt Plus M8x40 (Braga gummerad)
Gummed knob PLUS M8x40

B01 Sittkryss vinkelställbart
Angle adjustable seatframe



B01	1	804156	Sittkryssmekanism 6100 Vs Br40-54 cm (Vuxen) Seatframe 6100 angle adjustment width 40-54 cm
	2	804157	Sittkryssmekanism 6100 Vs Br33-39 cm (Barn) Seatframe 6100 angle adjustment width 33-39 cm
B02		801310	Sittkryss 6100 Vs Överdel Br33-54 cm (Mobil Barn/Vuxen) Seatframe 6100 angle adjustment width 33-54 cm

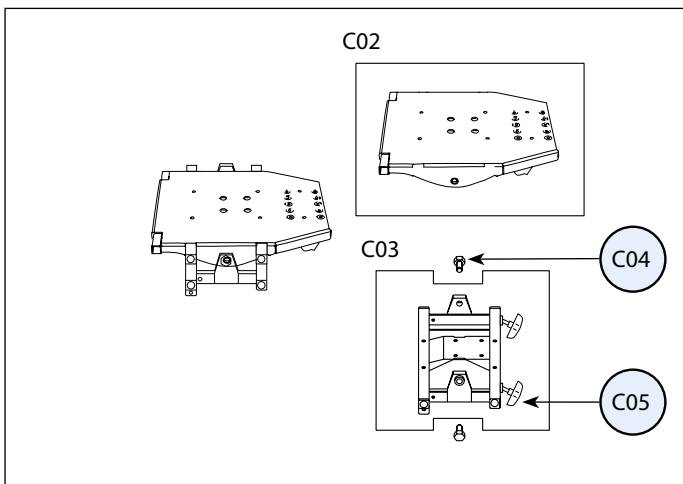
B03 1 801308 Sittkryss 61/6800 Vs Underdel Br40-54 cm (Mobil Vuxen)
Seatframe 61/6800 angle adjustment width 40-54 cm

2 801309 Sittkryss 6100 Vs Underdel Br33-39 cm (Mobil Barn)
Seatframe 6100 angle adjustment width 33-39 cm

B04 801224 Lagerskruv vinkelställb.
Screw angle adjustable

B05 803005 Stjärnratt Plus M8x40 (Braga gummerad)
Gummed knob PLUS M8x40

C01 Sittkryss allvinkel
Allangle seatframe



C01	1	803072	Sittkryss 6100 Vs -15/+23 gr. Överd./Underd. Br40-54 cm Vuxen Seatframe 6100 adj. angle 15-23° upper/lower width 40-54 cm
	2	803073	Sittkryss 6100 Vs -15/+23 gr. Överd./Underd. Br33-39 cm Barn Seatframe 6100 adj. angle 15-23° upper/lower width 33-39 cm

C02 1 802829 Sittkryss 6100 Vs -15/+23 gr. Överdel Br40-54 cm Vuxen
Seatframe 6100 adj. angle 15/23° upperpart width 40-54 cm

2 802830 Sittkryss 6100 Vs -15/+23 gr. Överdel Br33-39 cm Barn
Seatframe 6100 adj. angle 15/23° upperpart width 33-39 cm

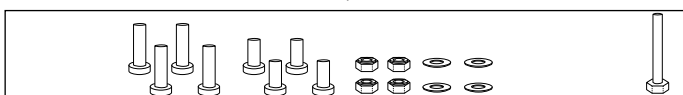
C03 1 801308 Sittkryss 61/6800 Vs Underdel Br40-54 cm (Vuxen)
Seatframe 61/6800 angle adj. lower section width 40-54 cm

2 801309 Sittkryss Vs Undre 6100 Br33-39 cm (Barn)
Seatframe 6100 angle adj. lower section width 33-39 cm

C04 801224 Lagerskruv vinkelställb.
Screw angle adjustable

C05 803005 Stjärnratt Plus M8x40 (Braga gummerad)
Gummed knob PLUS M8x40

D01 Skruvsats för lyftomat
Screw kit for liftomat assembly

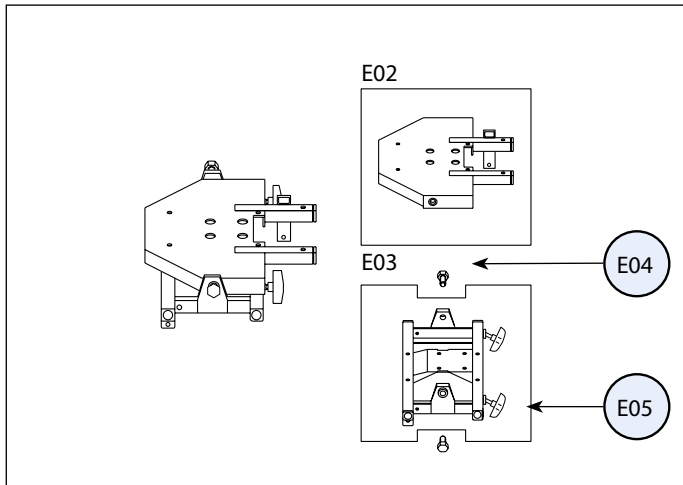


D01 803268 Skruvsats f montering av manuell eller el-lyftomat
Screw kit for liftomat assembly or electric liftomat

Stycklista – Sittkryss

Part list – Seatframe

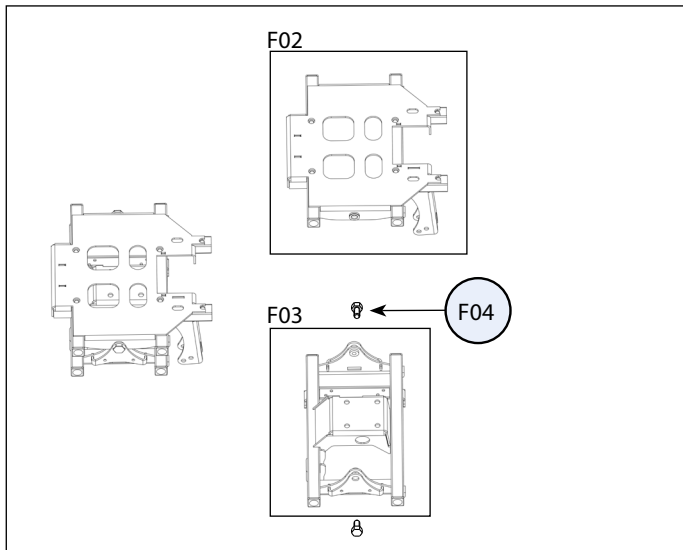
E01 Sittkryss vinkelställbart Mini
Angle adjustable seatframe Mini



Pos Art.nr Benämning
Pos Art.no Name

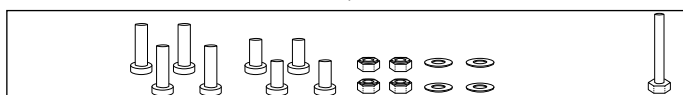
E01	600351	Sittkryss 6100 Mini Vs kpl Br25-34 cm (Barn) Seatframe 6100 PLUS Mini
E02	600352	Sittkryss 6100 Mini Vs Underdel Br25-34 cm (Barn) Seatframe 6100 lower part Mini
E03	600353	Sittkryss 6100 Mini Vs Överdel Br25-34 cm (Barn) Seatframe 6100 upper part Mini
E04	801224	Lagerskruv vinkelställbar Screw angle adjustable
E05	803005	Stjärnratt Plus M8x40 (Braga gummerad) Gummed knob PLUS M8x40

F01 Sittkryss vinkelställbart -15/+15°
Angle adjustable seatframe



F01	3	804614	Sittkryssmek 6100 Vs -15/+15 Br29-33 Mini DX2 -
F02	1	804567	Sittkryss Vs Över 6100/9000 -15/+15 Br40-54 Vuxen -
	2	804565	Sittkryss Vs Över 6100/9000 -15/+15 Br36-40 Barn -
	3	804563	Sittkryss Vs Över 6100/9000 -15/+15 Br 29-33 Mini/Barn -
F03	1	804594	Sittkryss Vs Under 6100/9000 -15/+15 Br40-54 (Vuxen) svets -
		804885	Sittkryss Vs Under 6100/9000 -15/+15 Br40-48 Vuxen LinX -
	2	804593	Sittkryss Vs Under 6100/9000 -15/+15 Br36-40 (Barn) svets -
		804884	Sittkryss Vs Under 6100/9000 -15/+15 Br33-40 Barn LinX -
	3	804592	Sittkryss Vs Under 6100/9000 -15/+15 Br29-33 (Mini) svets -
		804883	Sittkryss Vs Under 6100/9000 -15/+15 Br29-33 Mini LinX -
F04	1	803578	Lagerskruv f vinkelställbara sittkryss M8 gänga -
		804604	Fäste för ACT box -
		802278	Popnit BN 4.8x12 AL/ST -

G01 Skruvsats för lyftomat
Screw kit for liftomat assembly

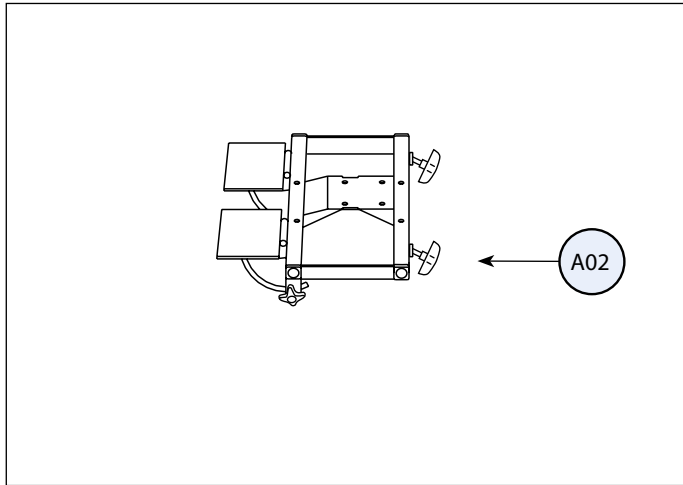


G01 803268 Skruvsats f montering av manuell eller el-lyftomat
Screw kit for liftomat assembly or electric liftomat

Stycklista – Sittkryss Coxit

Part list – Seatframe Coxit

A01 Sittkryss vinkelfast coxit
Seatframe coxit without angle adjustment

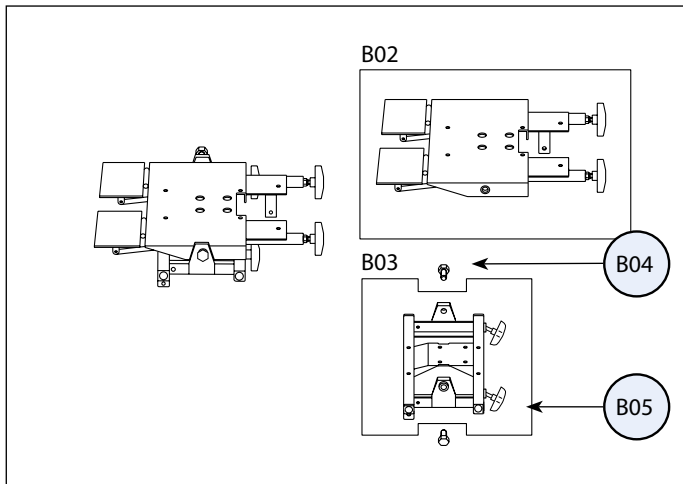


Pos	Art.nr	Benämning
Pos	Art.no	Name

A01	600240	Sittkryssmekanism 6800 Vf Coxit Br40-54 endast 280 ställdon Seatframe 6800 without angle adjustment Coxit 40-54 cm only el. lift
-----	--------	---

A02	803005	Stjärnratt Plus M8x40 (Braga gummerad) Gummed knob PLUS M8x40
-----	--------	--

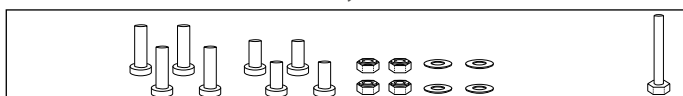
B01 Sittkryss vinkelställbart coxit
Angle adjustable coxit seatframe



B02	600238	Sittkryss Vs övre 6800 Coxit Br40-54 cm Seatframe Upper part 6800 Coxit angle adjustment width 40-54 cm
-----	--------	---

B03	801308	Sittkryss 61/6800 Vs Underdel Br40-54 (Mobil Vuxen) Seatframe Lower part 6800 Coxit angle adjustment width 40-54 cm
-----	--------	---

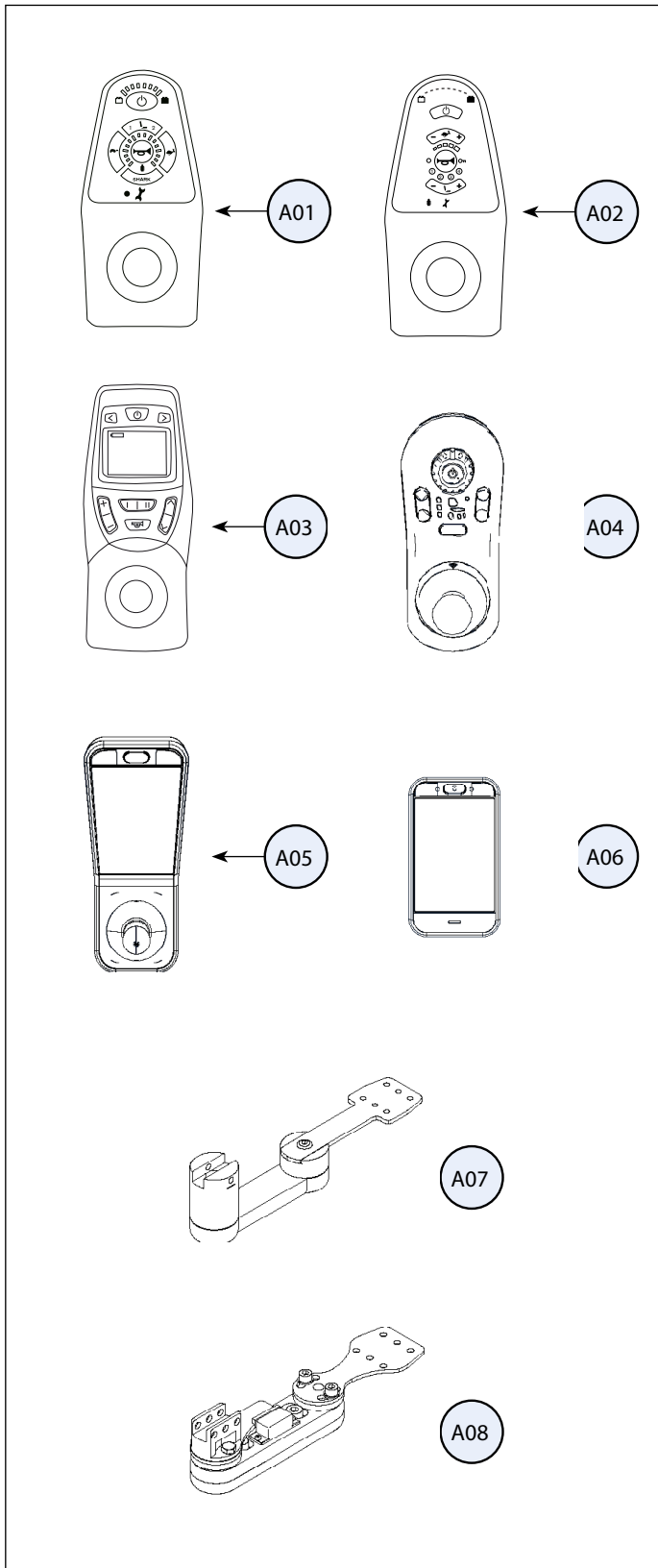
C01 Skruvsats för lyftomat
Screw kit for liftomat assembly



Stycklista – Manöverboxar

Part list – Control box

A

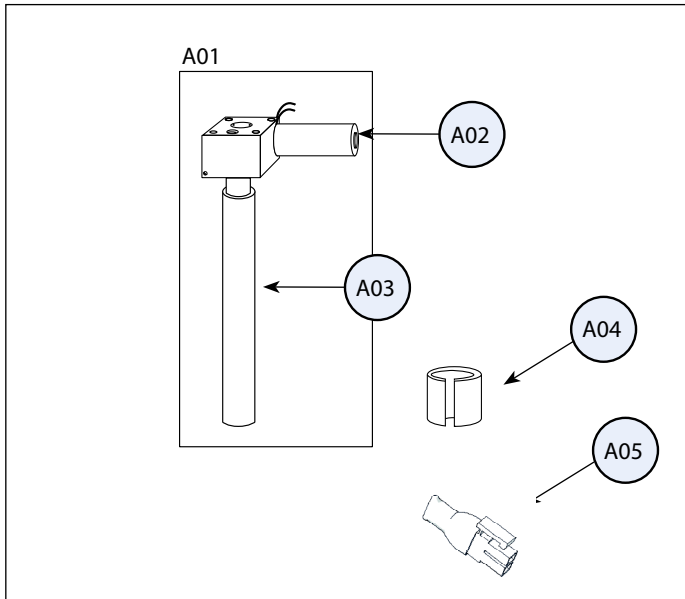


Pos	Art.nr	Benämning
Pos	Art.no	Name
A01	BOX0010	Manöverbox 6100 Shark Remote 6100 Shark
A02	BOX1010	Manöverbox 6100 DX2 LED (DX2-REM 421) Remote DX2 LED (DX2-REM 421)
A03	BOX1020	Manöverbox 6100 DX2 LCD färg (DX2-REM550) Remote DX2 LCD (DX2-REM550)
A04	BOX2010	Manöverbox LiNX REM211 6 funktion f 6100 Plus Remote LiNX REM211
A05	BOX2020	Manöverbox LiNX REM400 m touchskärm f 6100 Plus Remote LiNX REM400
A06	BOX2030	Manöverbox LiNX REM500 f 6100 Plus Remote LiNX REM500
A07	1 OA1011	Manöverarm 6100 115 mm kpl. f DX Operating arm 6100 115 mm cpl.
	2 OA1021	Manöverarm 6100 95 mm kpl. f DX Operating arm 6100 95 mm cpl. DX
	3 OA2011	Manöverarm 6100 115 mm kpl. f SHARK Operating arm 6100 115 mm cpl. SHARK
	4 OA2021	Manöverarm 6100 95 mm kpl. f SHARK Operating arm 6100 95 mm cpl. SHARK
	5 OA3011	Manöverarm 115 mm LiNX Joystick H sida Operating arm 6100 115 mm cpl. LiNX R
	6 OA3021	Manöverarm 95 mm LiNX Joystick H sida Operating arm 6100 95 mm cpl. LiNX R
	7 OA3012	Manöverarm 115 mm LiNX Joystick V sida Operating arm 6100 115 mm cpl. LiNX L
	8 OA3022	Manöverarm 95 mm LiNX Joystick V sida Operating arm 6100 95 mm cpl. LiNX L
A08	1 OA1031	ParaLoc enkel t manöverbox DX2 f Real 6100, hö ParaLoc, right
	2 OA1032	ParaLoc enkel t manöverbox DX2 f Real 6100, vä ParaLoc, left
	3 OA2031	Paraloc Shark Joystick H sida ParaLoc Shark Joystick Right side
	4 OA2032	Paraloc Shark Joystick V sida ParaLoc Shark Joystick Left side
	5 OA3031	Paraloc LiNX Joystick H sida ParaLoc LiNX Joystick Right side
	6 OA3032	Paraloc LiNX Joystick V sida ParaLoc LiNX Joystick Left side

Stycklista – Ellyftomat

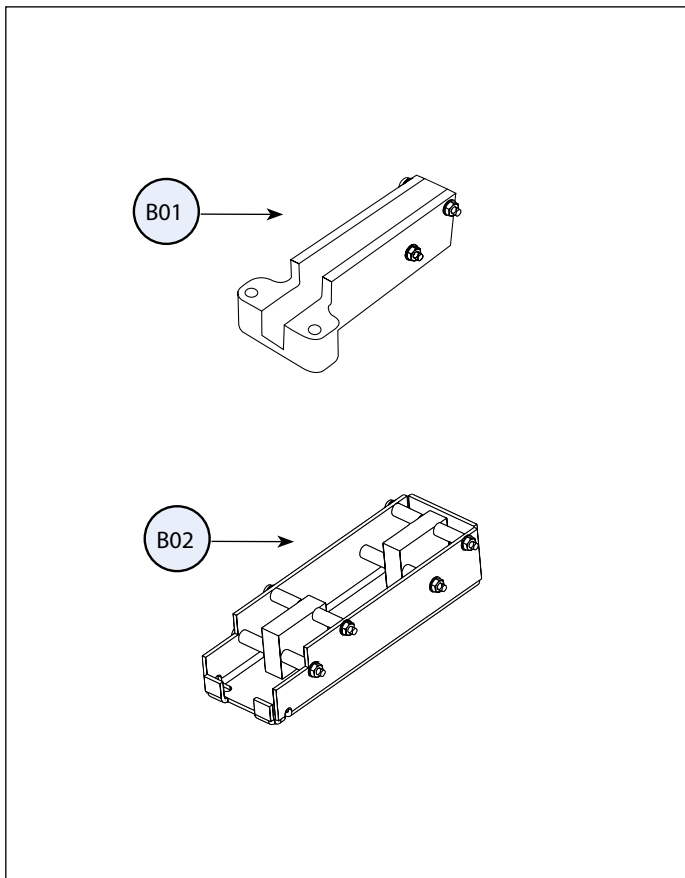
Part list – Ellyftomat

A Utan rotation Without rotation



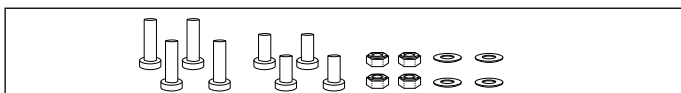
Pos	Art.nr	Benämning
Pos	Art.no	Name
A01	1 600178	Ellyftomat 20 cm Mobil ser.3/4 inkl.kontakt mm Electric height adjustment 20 cm
	2 600177	Ellyftomat 28cm Mobil ser.3/4 inkl.kontakt mm Electric height adjustment 28 cm
	3 804414	Ellyftomat 15cm Mobil ser.3/4 inkl.kontakt mm Electric height adjustment 15 cm
A02	1 800272	Motor M48x50 24V 5500rpm Motor M48x50 24V 5500rpm
A03	1 802532	Ytterrör+Spårrör+Kil linjärstyrning 280 Mobil Outer tube+track tube 280 Mobile
	2 802525	Ytterrör+Spårrör+Kil linjärstyrning 200 Mobil Outer tube+track tube 200 Mobile
	3 804388	Ytterrör+Spårrör+Kil linjärstyrning 150 Mobil Outer tube+track tube 150 Mobile
A04	600385	Klämförbandshylsa aluminium Inset for Electric liftomat clamps lining
A05	804950	Kontakt REAL 6100 PLUS LiNX Molex 665 Ohm Connector Molex-LiNX 6100 Plus 665 ohm

B Mikrobrytare Microswitch Attachments



B01	600398	Mikrobrytarfäste 6100 PLUS kpl DX2 f 200 ställdon 1 bryt Microswitch attachment 6100 PLUS cpl DX2 200 Actuators 1 switch
	804949	Mikrobrytarfäste 6100 Plus kpl LinX f 200 Ställdon 1 bryt Microswitch attachment 6100 PLUS cpl LiNX 200 Actuators 1 switch
B02	600389	Mikrobrytarfäste 6100 PLUS kpl DX2 f 280 ställdon 2 bryt Microswitch attachment 6100 PLUS cpl DX2 280 Actuators 2 switch
	804948	Mikrobrytarfäste 6100 Plus kpl LinX f 280 Ställdon 2 bryt Microswitch attachment 6100 PLUS cpl LiNX 280 Actuators 2 switch

D01 Skruvsats för lyftomat Screw kit for liftomat assembly

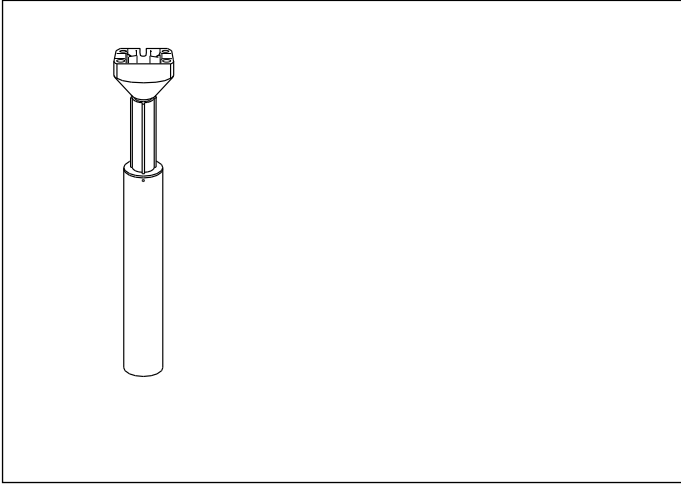


D01	803268	Skruvsats f montering av manuell eller el-lyftomat Screw kit for liftomat assembly or electric liftomat
-----	--------	--

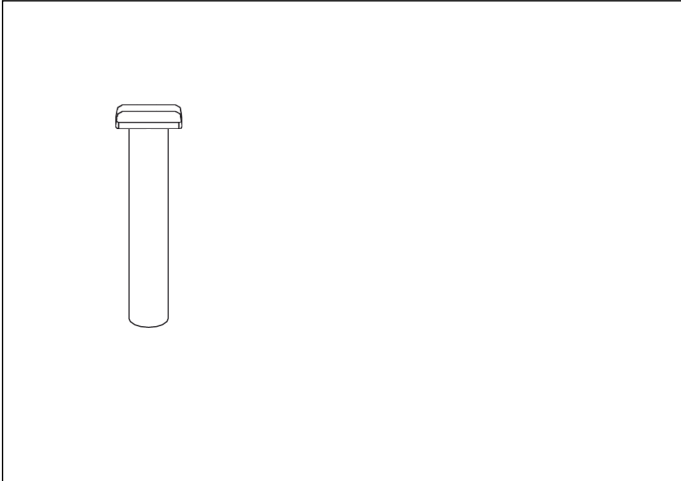
Stycklista – Fixlyftomat

Part list – Fixlyftomat

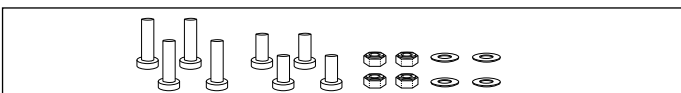
E01 Fixlyftomat
Fixliftomat



F01 Fast lyftomat
Fixed Fixliftomat



H01 Skruvsats för lyftomat
Screw kit for liftomat assembly



Pos	Art.nr	Benämning
Pos	Art.no	Name
E01 1	803987	Fixlyftomat 200mm 55-90 kg tryck m Alufäste Fixliftomat 200mm 55-90 kg with aluminium grip
2	803985	Fixlyftomat 200mm <55 kg tryck m Alufäste Fixliftomat 200mm <55 kg with aluminium grip
3	803989	Fixlyftomat 200mm 90-130 kg tryck m Alufäste Fixliftomat 200mm 90-130 kg with aluminium grip
4	803981	Fixlyftomat 140mm 55-90 kg tryck m Alufäste Fixliftomat 140mm 55-90 kg with aluminium grip
5	803979	Fixlyftomat 140mm <55 kg tryck m Alufäste Fixliftomat 140mm <55 kg with aluminium grip
6	803983	Fixlyftomat 140mm 90-130 kg tryck m Alufäste Fixliftomat 140mm 90-130 kg with aluminium grip

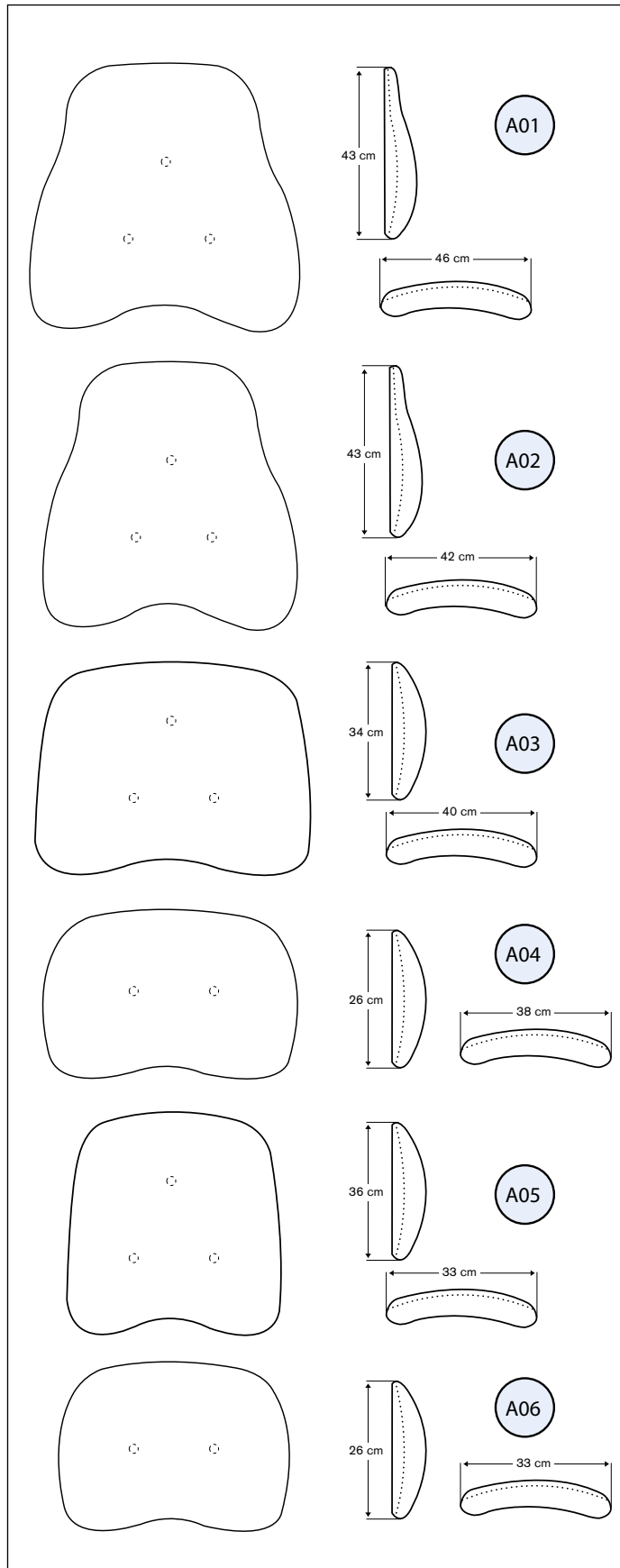
F01 1	803226	Fixlyftomat fast för sitthöjd 41-45cm Spider (37cm) Fixlift. Fixed Seat height 41-45cm Spider (37cm)
2	804040	Fixlyftomat fast för sitthöjd 37-41cm Spider (34cm) Fixlift. Fixed Seat height 37-41cm Spider (34cm)
3	803848	Fixlyftomat fast för sitthöjd 32-37cm Spider (29cm) Fixlift. Fixed Seat height 32-37cm Spider (29cm)
4	803847	Fixlyftomat fast för sitthöjd 27-32cm Spider (24cm) Fixlift. Fixed Seat height 27-32cm Spider (24cm)
5	803846	Fixlyftomat fast för sitthöjd 22-27cm Spider (19cm) Fixlift. Fixed Seat height 22-27cm Spider (19cm)
6	803298	Fixlyftomat fast för sitthöjd 17-22cm Spider (14cm) Fixlift. Fixed Seat height 17-22cm Spider (14cm)

H01	803268	Skruvsats f montering av manuell eller el-lyftomat Screw kit for liftomat assembly or electric liftomat
-----	--------	--

Stycklista – Ryggplatta

Part list – Backrest

A Ryggar ErgoMedic
Backrest ErgoMedic

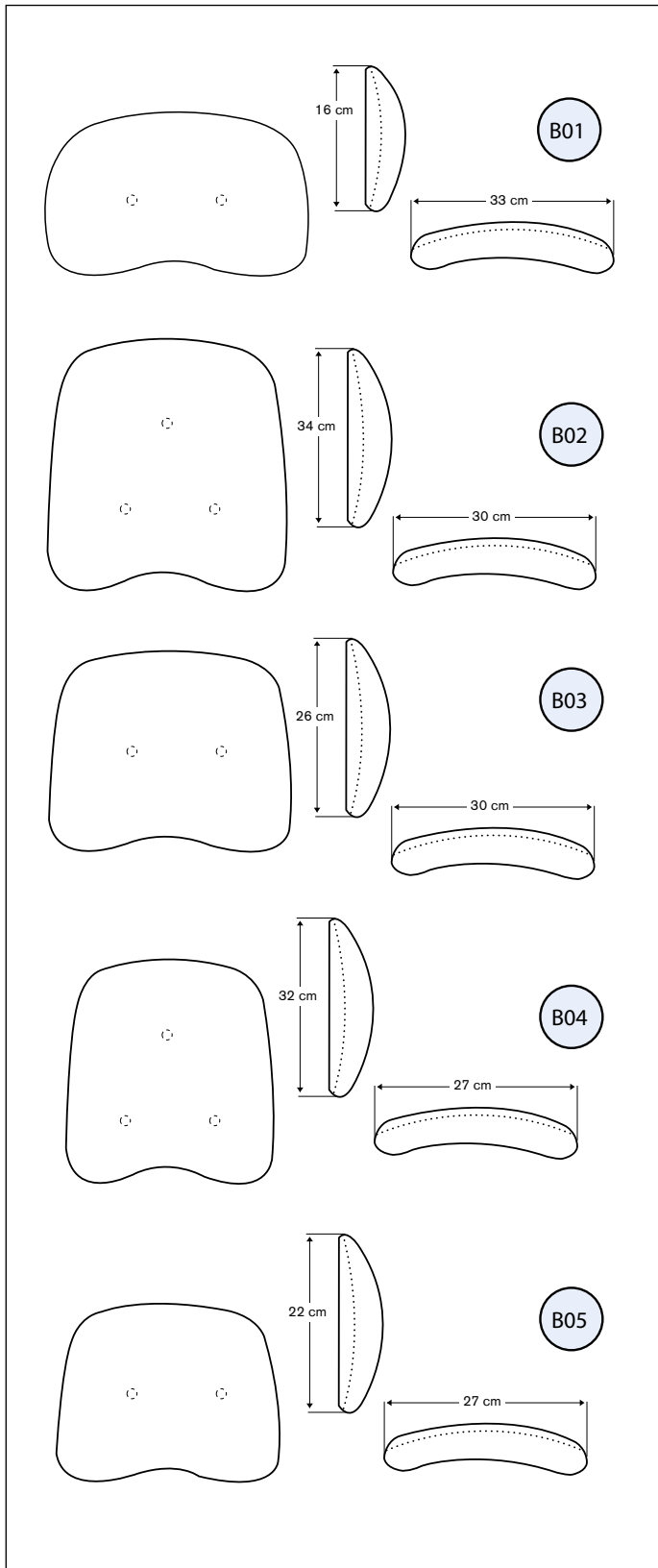


Pos	Art.nr	Benämning
Pos	Art.no	Name
A01	1 BR101046	Rygg ErgoMedic 46x43 Plysch Grå Backrest ErgoMedic 42x43 Plush Grey
A02	1 BR101546 210468	Rygg ErgoMedic 42x43 Plysch Grå Backrest ErgoMedic 42x43 Plush Grey
	2 BR111546 215468	Rygg ErgoMedic 42x43 Plysch Grå Slowrec. Back ErgoMedic 42x43 Plush Grey Slowrec.
A03	1 BR103046 210461	Rygg ErgoMedic 40x34 Plysch Grå Backrest ErgoMedic 40x34 Plush Grey
	2 BR303046 211461	Rygg ErgoM. f bålstöd 40x34 Plysch Grå Backr. ErgoM. trunks. 40x34 Plush Grey
	3 BR113046 215461	Rygg ErgoMedic 40x34 Plysch Grå Slowrec. Back ErgoMedic 40x34 Plush Grey Slowrec.
	4 BR313046 216461	Rygg ErgoM. f bålstöd 40x34 Plysch Grå Slowrec. Backr. ErgoM. trunks. 40x34 Plush Grey Slowrec.
A04	1 BR105546 210460	Rygg ErgoMedic 38x26 Plysch Grå Backrest ErgoMedic 38x26 Plush Grey
	2 BR115546 215460	Rygg ErgoMedic 38x26 Plysch Grå Slowrec. Back ErgoMedic 38x26 Plush Grey Slowrec.
A05	1 BR102546 210463	Rygg ErgoMedic 33x36 Plysch Grå Backrest ErgoMedic 33x36 Plush Grey
	2 BR112546 215463	Rygg ErgoMedic 33x36 Plysch Grå Slowrec. Back ErgoMedic 33x36 Plush Grey Slowrec.
A06	1 BR106046 210462	Rygg ErgoMedic 33x26 Plysch Grå Backrest ErgoMedic 33x26 Plush Grey
	2 BR116046 215462	Rygg ErgoMedic 33x26 Plysch Grå Slowrec. Back ErgoMedic 33x26 Plush Grey Slowrec.

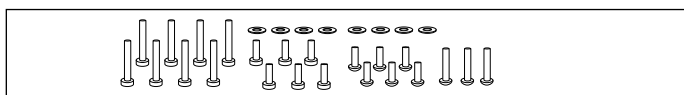
Stycklista – Ryggplatta

Part list – Backrest

B Ryggar ErgoMedic
Backrest ErgoMedic



C01 Skruvsats för montering av rygg och ryggfällning
Screw kit for backrest assembly



Pos	Art.nr	Benämning
Pos	Art.no	Name
B01	BR109046 230461	Magplatta/Rygg Classic 33x16 Plysch Grå Stomach support/Backrest Classic 33x16 Plush Grey

B02	1 BR103546 210465	Rygg ErgoMedic 30x34 Plysch Grå Backrest ErgoMedic 30x34 Plush Grey
	2 BR113546 215465	Rygg ErgoMedic 30x34 Plysch Grå Slowrec. Back ErgoMedic 30x34 Plush Grey Slowrec.

B03	1 BR106546 210464	Rygg ErgoMedic 30x26 Plysch Grå Backrest ErgoMedic 30x26 Plush Grey
	2 BR116546 215464	Rygg ErgoMedic 30x26 Plysch Grå Slowrec. Back ErgoMedic 30x26 Plush Grey Slowrec.

B04	1 BR104546 210467	Rygg ErgoMedic 27x32 Plysch Grå Backrest ErgoMedic 27x32 Plush Grey
	2 BR114546 215467	Rygg ErgoMedic 27x32 Plysch Grå Slowrec. Back ErgoMedic 27x32 Plush Grey Slowrec.

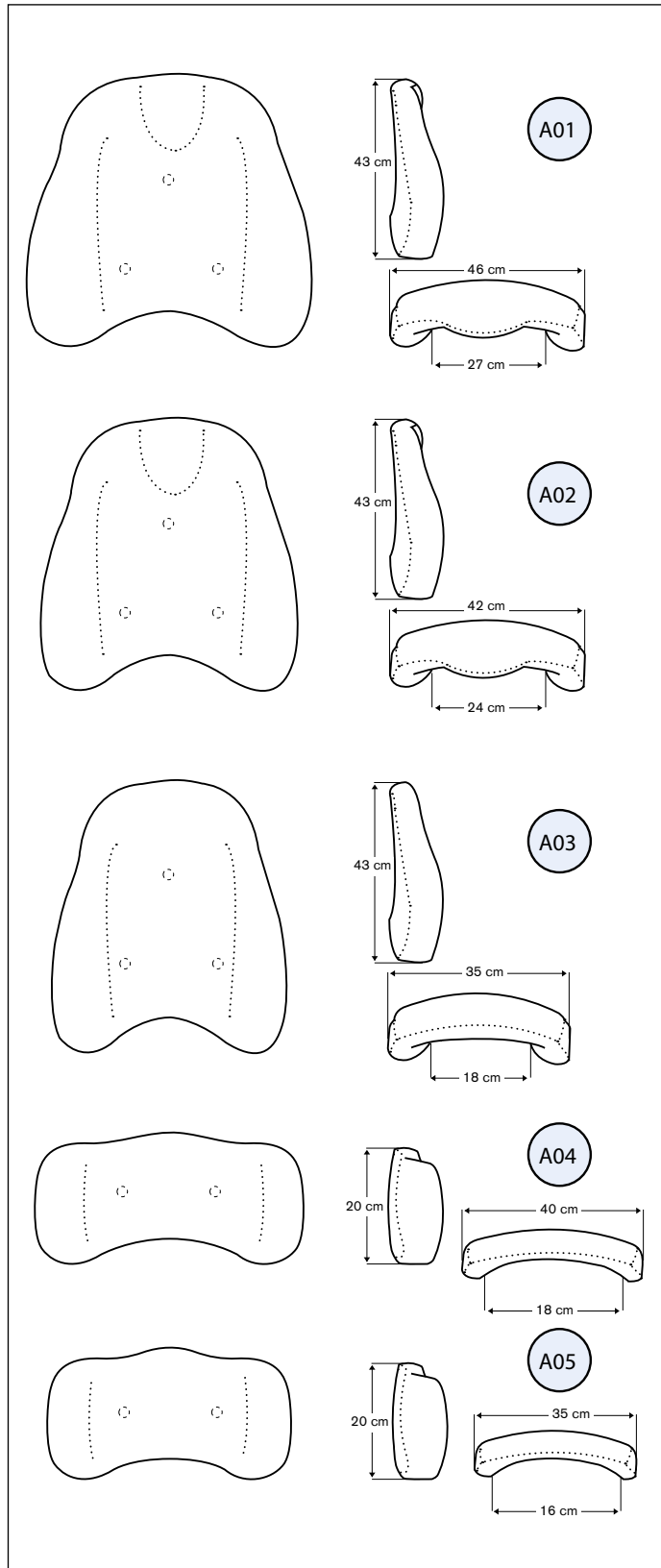
B05	1 BR107046 210466	Rygg ErgoMedic 27x22 Plysch Grå Backrest ErgoMedic 27x22 Plush Grey
	2 BR117046 215466	Rygg ErgoMedic 27x22 Plysch Grå Slowrec. Back ErgoMedic 27x22 Plush Grey Slowrec.

C01	803270	Skruvsats f montering av rygg och ryggfällning Screw kit for backrest assembly
-----	------------------------	---

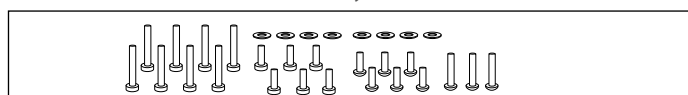
Stycklista – Ryggplatta

Part list – Backrest

A Ryggar ErgoMedic PLUS
Backrest ErgoMedic PLUS



B01 Skruvsats för montering av rygg och ryggfällning
Screw kit for backrest assembly



Pos Art.nr Benämning
Pos Art.no Name

A01	1	BR201046 251469	Rygg ErgoMedic PLUS 46x43 Plysch Grå Backrest ErgoMedic PLUS 46x43 Plush Grey
	2	BR221046 256469	Rygg ErgoMedic PLUS 46x43 Plysch Grå Slowrec. Back ErgoMedic PLUS 46x43 Plush Grey Slowrec.

A02	1	BR201546 251468	Rygg ErgoMedic PLUS 42x43 Plysch Grå Backrest ErgoMedic PLUS 42x43 Plush Grey
	2	BR221546 256468	Rygg ErgoMedic PLUS 42x43 Plysch Grå Slowrec. Back ErgoMedic PLUS 42x43 Plush Grey Slowrec.

A03	1	BR202046 251463	Rygg ErgoMedic PLUS 35x43 Plysch Grå Backrest ErgoMedic PLUS 35x43 Plush Grey
	2	BR222046 256463	Rygg ErgoMedic PLUS 35x43 Plysch Grå Slowrec. Back ErgoMedic PLUS 35x43 Plush Grey Slowrec.

A04	1	BR207546 251460	Rygg ErgoMedic PLUS 40x20 Plysch Grå Backrest ErgoMedic PLUS 40x20 Plush Grey
	2	BR227546 256460	Rygg ErgoMedic PLUS 40x20 Plysch Grå Slowrec. Back ErgoMedic PLUS 40x20 Plush Grey Slowrec.

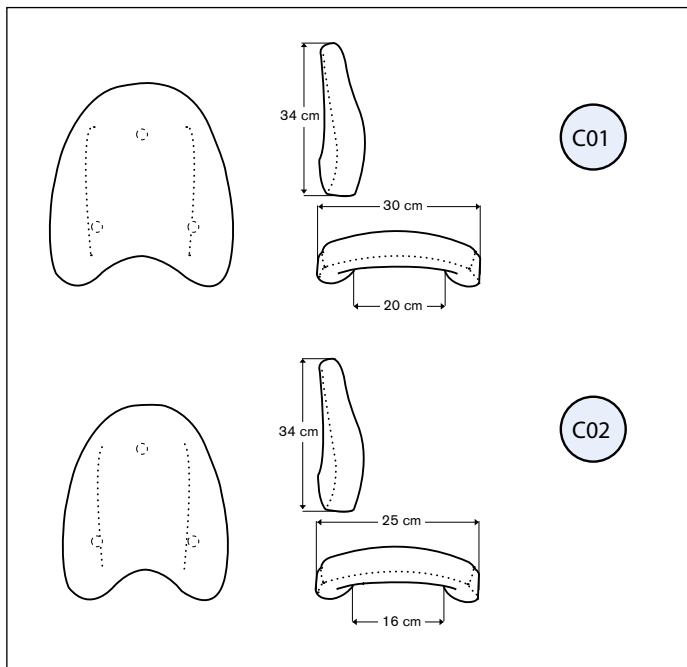
A05	1	BR208046 251462	Rygg ErgoMedic PLUS 35x20 Plysch Grå Backrest ErgoMedic PLUS 35x20 Plush Grey
	2	BR228046 256462	Rygg ErgoMedic PLUS 35x20 Plysch Grå Slowrec. Back ErgoMedic PLUS 35x20 Plush Grey Slowrec.

B01	803270	Skruvsats f montering av rygg och ryggfällning Screw kit for backrest assembly
-----	--------	---

Stycklista – Ryggplatta

Part list – Backrest

C Ryggar ErgoMedic PLUS
Backrest ErgoMedic PLUS



Pos	Art.nr	Benämning
Pos	Art.no	Name

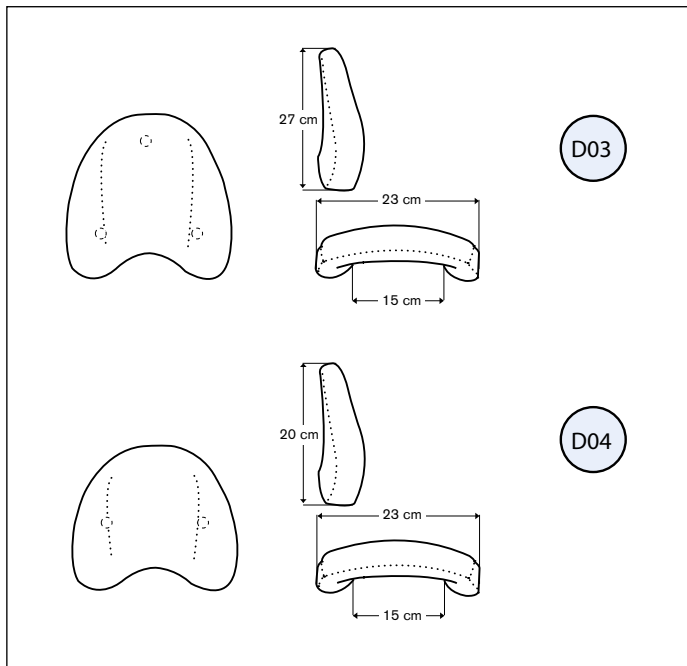
C01	1	BR203546 251465	Rygg ErgoMedic PLUS 30x34 Plysch Grå Backrest ErgoMedic PLUS 30x34 Plush Grey
	2	BR223546 256465	Rygg ErgoMedic 30x34 Plysch Grå Slowrec. Back ErgoMedic 30x34 Plush Grey Slowrec.

C02	1	BR204046 251464	Rygg ErgoMedic PLUS 25x34 Plysch Grå Backrest ErgoMedic PLUS 25x34 Plush Grey
	2	BR224046 256464	Rygg ErgoMedic 25x34 Plysch Grå Slowrec. Back ErgoMedic 25x34 Plush Grey Slowrec.

Stycklista - Ryggplatta

Part list - Backrest

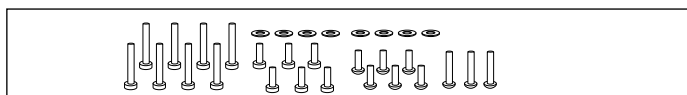
D Ryggar ErgoMedic
Backrest ErgoMedic



D03		BR105046 213461	Rygg ErgoMedic 23x27 Plysch Grå Backrest ErgoMedic 23x27 Plush Grey
-----	--	--------------------	--

D04		BR108546 213460	Rygg ErgoMedic 23x20 Plysch Grå Backrest ErgoMedic 23x20 Plush Grey
-----	--	--------------------	--

E01 Skruvsats för montering av rygg och ryggfällning
Screw kit for backrest assembly

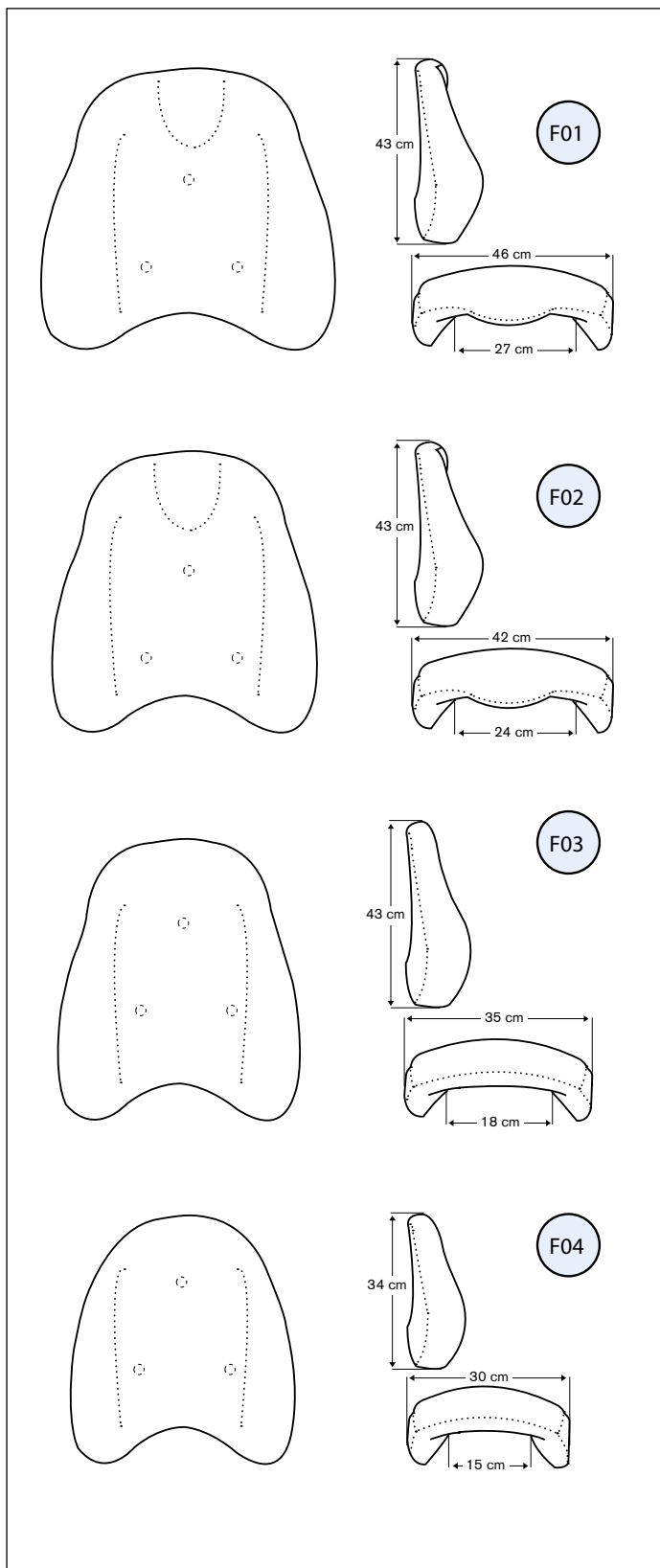


E01		803270	Skruvsats f montering av rygg och ryggfällning Screw kit for backrest assembly
-----	--	--------	---

Stycklista – Ryggplatta

Part list – Backrest

F Ryggar ErgoMedic PLUS med sidokil
Backrest ErgoMedic PLUS with wedge



Pos Art.nr Benämning
Pos Art.no Name

F01	1	BR251046 252469	Rygg EM PLUS m Sidokil 46x43 Plysch Grå Backrest EM PLUS w sidewedge 46x43 Plush Grey
	2	BR351046 257469	Rygg EM PLUS med förstärkt Sidokil 46x43 cm Plysch Grå Backrest EM PLUS w reinforced sidewedge 46x43 Plush Grey

F02	1	BR251546 252468	Rygg EM PLUS m Sidokil 42x43 Plysch Grå Backrest EM PLUS w sidewedge 42x43 Plush Grey
	2	BR351546 257468	Rygg EM PLUS med förstärkt Sidokil 42x43 cm Plysch Grå Backrest EM PLUS w reinforced sidewedge 42x43 Plush Grey

F03	1	BR252046 252463	Rygg EM PLUS m Sidokil 35x43 Plysch Grå Backrest EM PLUS w sidewedge 35x43 Plush Grey
	2	BR352046 257463	Rygg EM PLUS med förstärkt Sidokil 35x43 cm Plysch Grå Backrest EM PLUS w reinforced sidewedge 35x43 Plush Grey

F04		BR253546 252465	Rygg EM PLUS m Sidokil 30x34 Plysch Grå Backrest EM PLUS w sidewedge 30x34 Plush Grey
-----	--	--------------------	--

G01 Skruvsats för montering av rygg och ryggfällning
Screw kit for backrest assembly

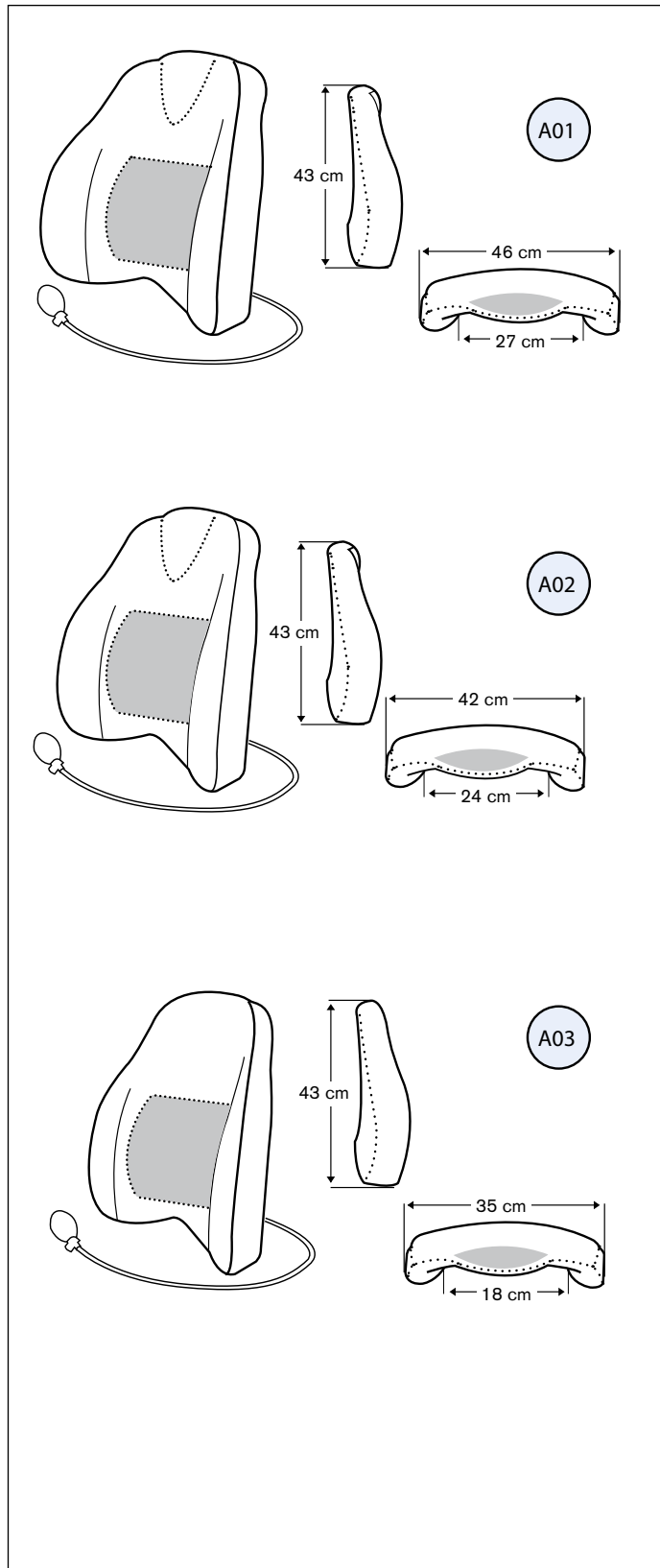


G01 803270 Skruvsats f montering av rygg och ryggfällning
Screw kit for backrest assembly

Stycklista – Ryggplatta

Part list – Backrest

A Ryggar ErgoMedic PLUS Comfort
Backrest ErgoMedic PLUS comfort



Pos Art.nr Benämning
Pos Art.no Name

A01 [BR211046](#) Rygg ErgoMedic PLUS 46x43 Comfort Plysch Grå
254469 Backrest ErgoMedic PLUS 46x43 Comfort Grey Plush

A02 [BR211546](#) Rygg ErgoMedic PLUS 42x43 Comfort Plysch Grå
254468 Backrest ErgoMedic PLUS 42x43 Comfort Grey Plush

A03 [BR212046](#) Rygg ErgoMedic PLUS 35x43 Comfort Plysch Grå
254463 Backrest ErgoMedic PLUS 35x43 Comfort Grey Plush

B01 Skruvsats för montering av rygg och ryggfällning
Screw kit for backrest assembly

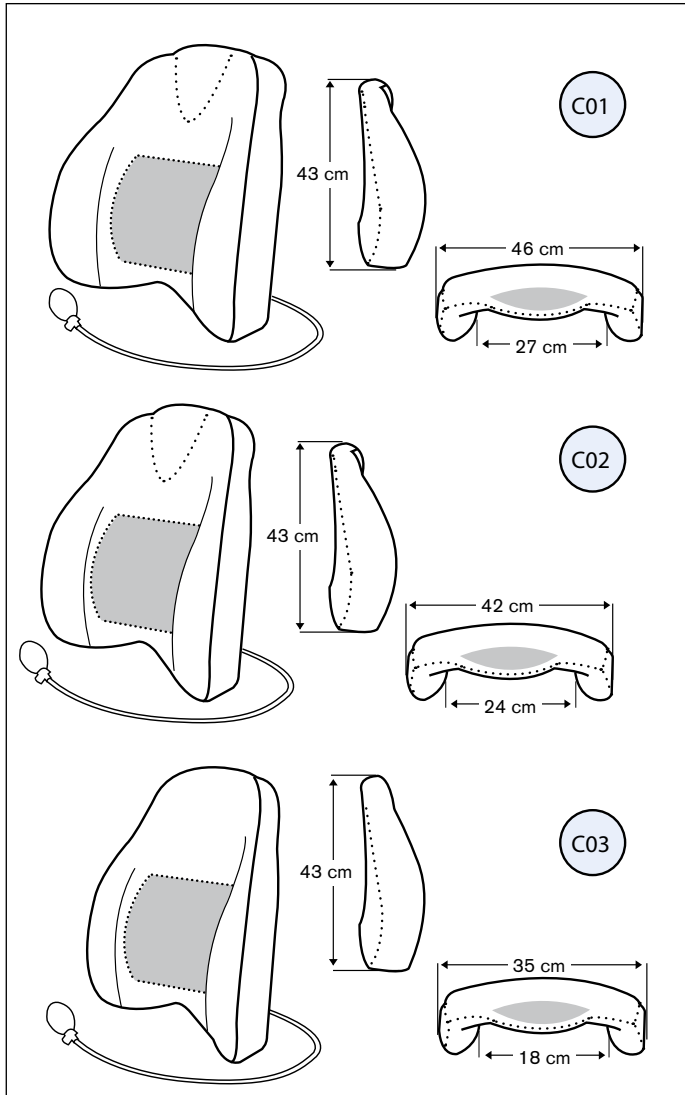


B01 [803270](#) Skruvsats f montering av rygg och ryggfällning
Screw kit for backrest assembly

Stycklista – Ryggplatta

Part list – Backrest

C Ryggar ErgoMedic PLUS Comfort med sidokil
Backrest ErgoMedic PLUS Comfort with wedge



Pos	Art.nr	Benämning
Pos	Art.no	Name
C01	1 BR261046 255469	Rygg EM PLUS m Sidokil 46x43 Comfort Plysch Grå Backrest EM PLUS w Sidewedge 46x43 Comfort Grey Plush
	2 BR361046 258469	Rygg EM PLUS med förstärkt Sidokil 46x43 cm Comfort Plysch Grå Backrest EM PLUS w reinforced wedgde Comfort 46x43

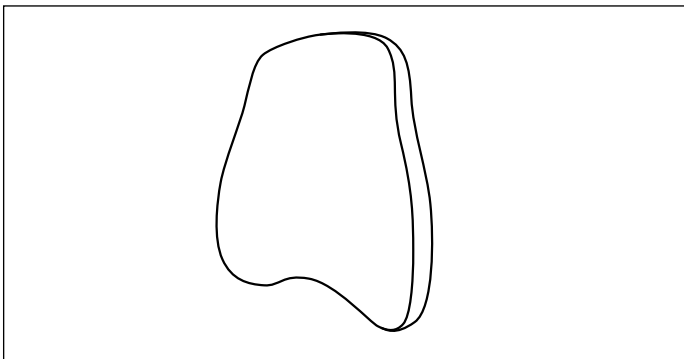
C02	1 BR261546 255468	Rygg EM PLUS m Sidokil 42x43 Comfort Plysch Grå Backrest EM PLUS w Sidewedge 42x43 Comfort Grey Plush
	2 BR361546 258468	Rygg EM PLUS med förstärkt Sidokil 42x43 cm Comfort Plysch Grå Backrest EM PLUS w reinforced wedgde Comfort 42x43

C03	1 BR262046 255463	Rygg EM PLUS m Sidokil 35x43 Comfort Plysch Grå Backrest EM PLUS w Sidewedge 35x43 Comfort Grey Plush
	2 BR362046 258463	Rygg EM PLUS med förstärkt Sidokil 35x43 cm Plysch Grå Backrest EM PLUS w reinforced wedgde Comfort 35x43

Stycklista - Ryggplatta

Part list - Backrest

A01 Ryggar ErgoMedic Extra
Backrest ErgoMedic Extra



A01	BR101646	Rygg ErgoMedic Extra 42x43 Plysch Grå Backrest ErgoMedic Extra Plush Grey
-----	----------	--

D01 Skruvsats för montering av rygg och ryggfällning
Screw kit for backrest assembly

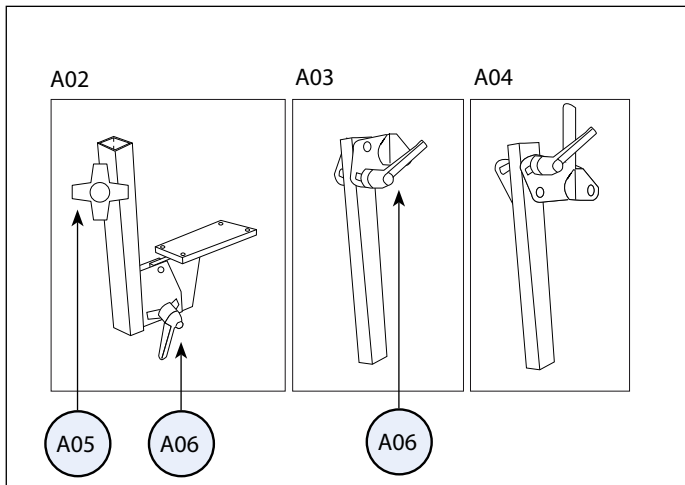


D01	803270	Skruvsats f montering av rygg och ryggfällning Screw kit for backrest assembly
-----	--------	---

Stycklista – Ryggmekanism Standard, EL & Comfort

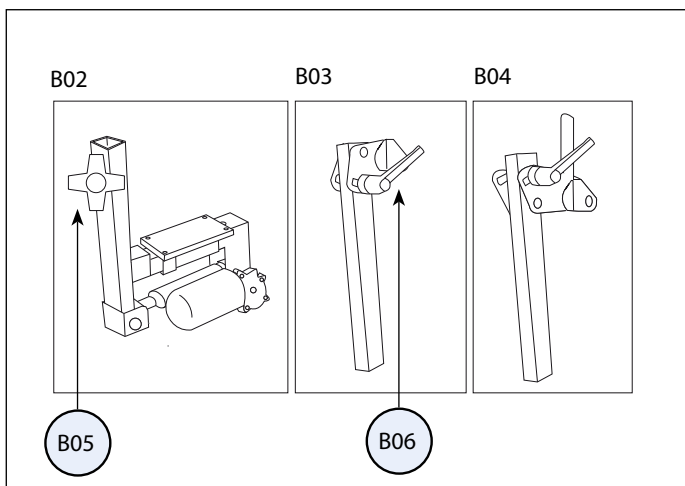
Part list – Backrest mechanism

A01 Standard ErgoMedic Standard ErgoMedic



Pos	Art.nr	Benämning
Pos	Art.no	Name
A01	1 BRM1000 801748	Ryggmekanism Standard ErgoMedic Låg rygg Backrest adjustment Standard ErgoMedic Low back
	2 BRM4000 801747	Ryggmekanism Standard ErgoMedic Hög rygg Backrest adjustment Standard ErgoMedic High back
A02	800842	Ryggfällning Std. Cla/ErgoM Backrest mechanism Std.Cla/ErgoM
A03	801265	Ryggstolpe Standard. ErgoMedic Låg rygg Back pole Std Cla/ ErgoMedic Low back
A04	800841	Ryggstolpe Standard ErgoMedic Hög rygg Back pole Standard ErgoMedic High back
A05	803004	Stjärnratt Plus M8x20 (braga gummerad) Gummed knob M8x20 PLUS
A06	803006	Låsspak Plus M8 (inv gänga) (braga gummerad) Gummed handle M8 PLUS

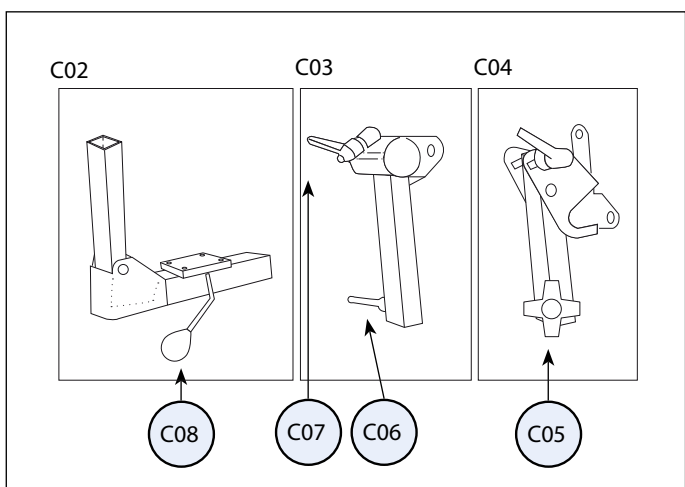
B01 EL Electric



B01	1 BRM3101	Låg elreglerad ryggmek 6100P DX2/LinX Low Backrest adjustment El. DX2/LiNX
	2 BRM7101	Hög elreglerad ryggmek 6100P DX2/LinX High Backrest adjustment El. DX2/LiNX
B02	600266	Eldonssats f ryggvinkel f reläkort Real 9000 Electric kit f. backrest angle
B03	801265	Ryggstolpe Std. ErgoM Låg rygg Back pole Std Cla/ Ergo Medic Low back
B04	800841	Ryggstolpe Std. ErgoM Hög rygg Back pole Std. Ergo Medic High back
B05	803004	Stjärnratt Plus M8x20 (braga gummerad) Gummed knob M8x20 PLUS
B06	803006	Låsspak Plus M8 (inv gänga) (braga gummerad) Gummed handle M8 PLUS

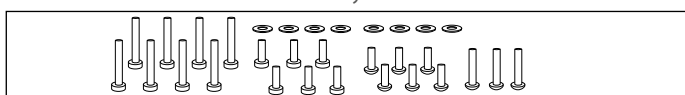
Se sid 36 för reglage

C01 Comfort Comfort



C01	1 BRM2514	Ryggmekanism Comfort ErgoM Grund Låg rygg Back adjustment Comfort ErgoM Shallow Low back
	2 BRM6514	Ryggmekanism Comfort ErgoM Grund Hög rygg Back adjustment Comfort ErgoM Shallow High back
C02	801770	Ryggfällning Comfort ErgoM 350 N Grunt sittdjup Backrest mech Comfort ErgoM 350 N Shallow seatdepth
C03	801088	Ryggstolpe Medic/Comfort ErgoM Låg rygg Back pole Medic/Comfort ErgoM Low back
C04	801737	Ryggstolpe Medic/Comfort ErgoM Hög rygg Back pole Medic/Comfort ErgoM High back
C05	803004	Stjärnratt Plus M8x20 (braga gummerad) Plastic knob Plus M8x20
C06	803012	Låsspak Plus M6x10 (braga gummerad) Gummed handle M6x10 PLUS
C07	803013	Låsspak Plus M6x20 (braga gummerad) Gummed handle M6x20 PLUS
C08	803011	Spak till Comfortryggmekanism Plus Lever for backrest mechanism Comfort PLUS

D01 Skruvsats för montering av rygg och ryggfällning Screw kit for backrest assembly

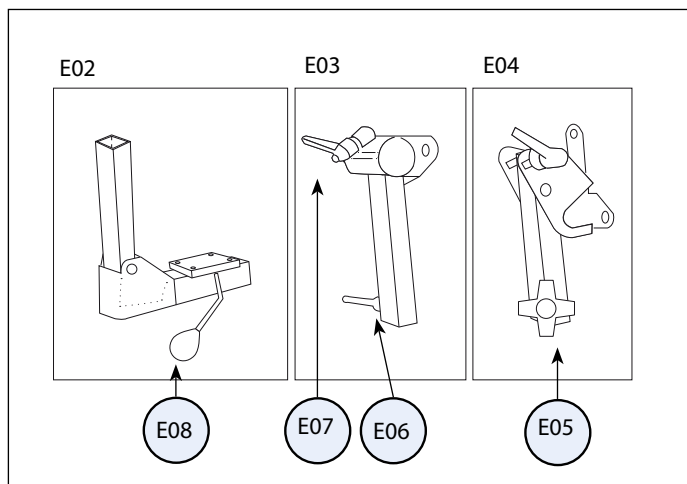


D01	803270	Skruvsats för montering av rygg och ryggfällning Screw kit for backrest assembly
-----	------------------------	---

Stycklista – Ryggmekanism Comfort Coxit

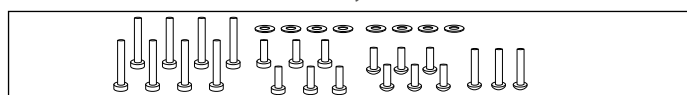
Part list – Backrest mechanism

E01 Comfort Coxit
Comfort Coxit



Pos	Art.nr	Benämning
Pos	Art.no	Name
E01	1	BRM2614 Ryggmekanism Comfort ErgoMedic Djup Låg rygg Backrest adjustment Comfort ErgoMedic Depht Low back
	2	BRM6614 Ryggmekanism Comfort ErgoMedic Djup Hög rygg Backrest adjustment Comfort ErgoMedic Depht High back
E02	801771	Ryggfällning Comfort ErgoMedic Djup 350 N Djupt sittedjup Backrest mech Comfort ErgoMedic 350 N Deep seatdepth
E03	801088	Ryggstolpe Medic/Comfort ErgoMedic Låg rygg Back pole Medic/Comfort ErgoMedic Low back
E04	801737	Ryggstolpe Medic/Comfort ErgoMedic Hög rygg Back pole Medic/Comfort ErgoMedic High back
E05	803004	Stjärnratt Plus M8x20 (braga gummerad) Plastic knob Plus M8x20
E06	803012	Låsspak Plus M6x10 (braga gummerad) Gummed handle M6x10 PLUS
E07	803013	Låsspak Plus M6x20 (braga gummerad) Gummed handle M6x20 PLUS
E08	803011	Spak till Comfortryggmekanism Plus Lever for backrest mechanism Comfort PLUS

F01 Skruvsats för montering av rygg och ryggfällning
Screw kit for backrest assembly

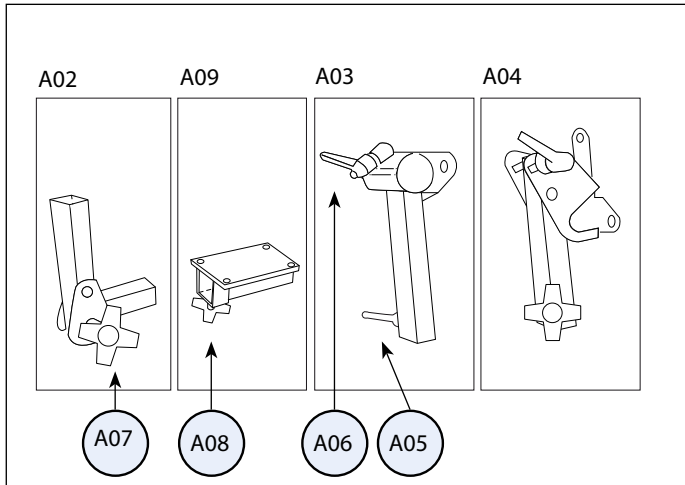


F01 [803270](#) Skruvsats f montering av rygg och ryggfällning
Screw kit for backrest assembly

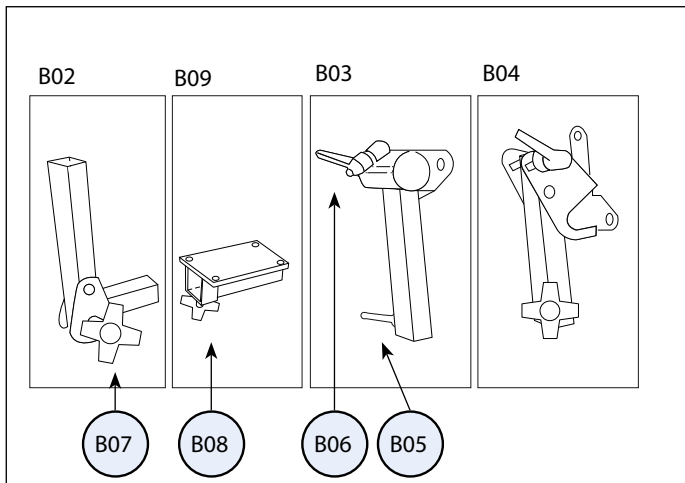
Stycklista – Ryggmekanism Medic 112 Rygg

Part list – Backrest mechanism

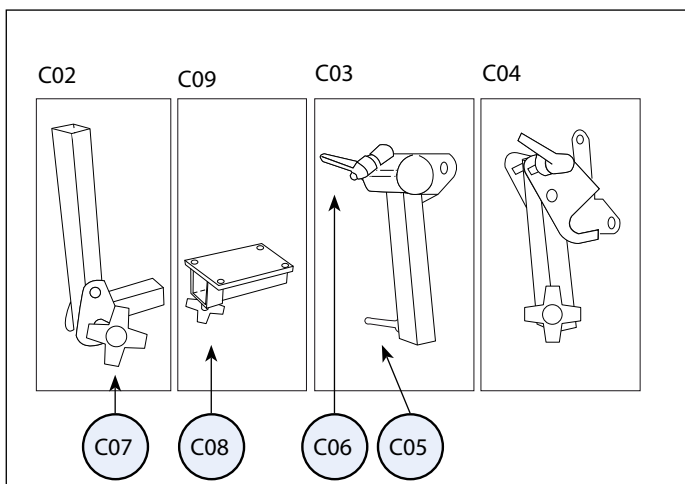
A01 200 x 112 mm (hxd)



B01 240 x 112 mm (hxd)



C01 340 x 112 mm (hxd)



D01 Skruvsats för montering av rygg och ryggfällning
Screw kit for backrest assembly

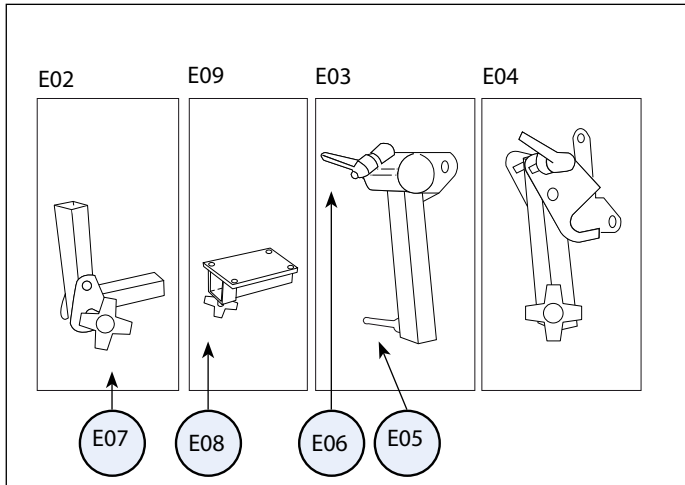


Pos	Art.nr	Benämning
Pos	Art.no	Name
A01	1	BRM1800 Ryggmekanism Medic ErgoMedic S 112 Låg rygg
		801930 Backrest adjustment Medic ErgoMedic S Low back 112 mm
	2	BRM4800 Ryggmekanism Medic ErgoMedic S 112 Hög rygg
		801932 Backrest adjustment Medic ErgoMedic S High back 112 mm
A02		801923 Ryggfällning Medic 112mm S Cla/ErgoM 200mm
		Backrest mechanism Medic 112 mm S Cla/ErgoM 200 mm
A03		801928 Ryggstolpe Medic ErgoM S Låg rygg
		Back pole ErgoM S
A04		801737 Ryggstolpe Medic/Comfort ErgoMedic Hög rygg
		Back pole Medic/Comfort ErgoMedic High back
A05		803012 Låsspak PLUS M6x10 (braga gummerad)
		Gummed handle M6x10 PLUS
A06		803013 Låsspak PLUS M6x20 (braga gummerad)
		Gummed handle M6x20 PLUS
A07		803007 Stjärnratt PLUS M8x1 special (braga gummerad)
		Gummed knob M8x1
A08		803004 Stjärnratt PLUS M8x20 (braga gummerad)
		Gummed knob M8x20 PLUS
A09		800837 Ryggfällning fäste Medic Cla/ErgoM
		Backrestmechanism Medic hold
B01	1	BRM1900 Ryggmekanism Medic ErgoMedic L 112 Låg rygg
		801739 Backrest adjustment Medic ErgoMedic L Low back 112 mm
	2	BRM4900 Ryggmekanism Medic ErgoMedic L 112 Hög rygg
		801741 Backrest adjustment Medic ErgoMedic L High back 112 mm
B02		801083 Ryggfällning Medic 112mm L Cla/ErgoM 240mm
		Backrest mechanism Medic 112 mm L Cla/ErgoM 340 mm
B03		801088 Ryggstolpe Medic/Comfort ErgoMedic Låg rygg
		Back pole Medic/Comfort ErgoMedic Low back
B04		801737 Ryggstolpe Medic/Comfort ErgoMedic Hög rygg
		Back pole Medic/Comfort ErgoMedic High back
B05		803012 Låsspak PLUS M6x10 (braga gummerad)
		Gummed handle M6x10 PLUS
B06		803013 Låsspak PLUS M6x20 (braga gummerad)
		Gummed handle M6x20 PLUS
B07		803007 Stjärnratt PLUS M8x1 special (braga gummerad)
		Gummed knob M8x1
B08		803004 Stjärnratt PLUS M8x20 (braga gummerad)
		Gummed knob M8x20 PLUS
B09		800837 Ryggfällning fäste Medic Cla/ErgoM
		Backrestmechanism Medic hold
C01	1	BRM2000 Ryggmekanism Medic ErgoMedic XL 112 Låg rygg
		801934 Backrest adjustment Medic ErgoMedic XL Low back 112 mm
	2	BRM5000 Ryggmekanism Medic ErgoMedic XL 112 Hög rygg
		801936 Backrest adjustment Medic ErgoMedic XL High back 112 mm
C02		801085 Ryggfällning Medic 112mm XL Cla/ErgoM 340mm
		Backrest mechanism Medic 112 mm XL Cla/ErgoM 340 mm
C03		801088 Ryggstolpe Medic/Comfort ErgoMedic Låg rygg
		Back pole Medic/Comfort ErgoMedic Low back
C04		801737 Ryggstolpe Medic/Comfort ErgoMedic Hög rygg
		Back pole Medic/Comfort ErgoMedic High back
C05		803012 Låsspak PLUS M6x10 (braga gummerad)
		Gummed handle M6x10 PLUS
C06		803013 Låsspak PLUS M6x20 (braga gummerad)
		Gummed handle M6x20 PLUS
C07		803007 Stjärnratt PLUS M8x1 special (braga gummerad)
		Gummed knob M8x1
C08		803004 Stjärnratt PLUS M8x20 (braga gummerad)
		Gummed knob M8x20 PLUS
C09		800837 Ryggfällning fäste Medic Cla/ErgoM
		Backrestmechanism Medic hold
D01		803270 Skruvsats f montering av rygg och ryggfällning
		Screw kit for backrest assembly

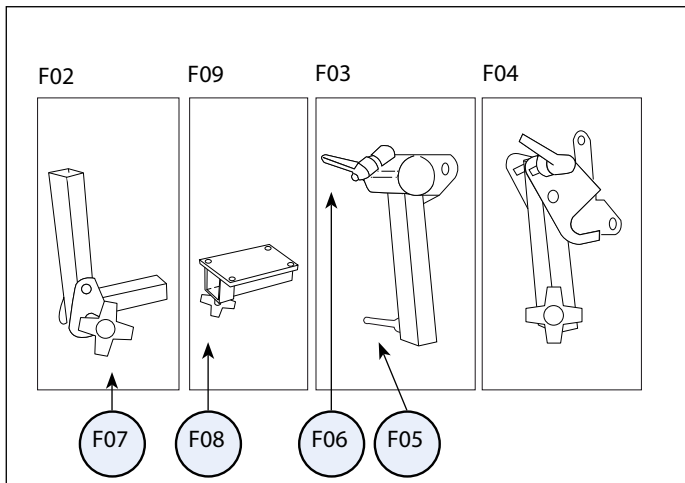
Stycklista – Ryggmekanism Medic 155 Rygg

Part list – Backrest mechanism

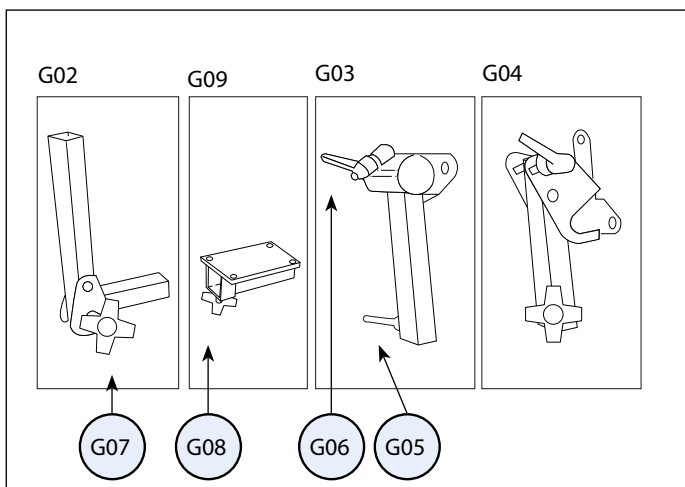
E01 200 x 155 mm (hxd)



F01 240 x 155 mm (hxd)



G01 340 x 155 mm (hxd)



H01 Skruvsats för montering av rygg och ryggfällning
Screw kit for backrest assembly

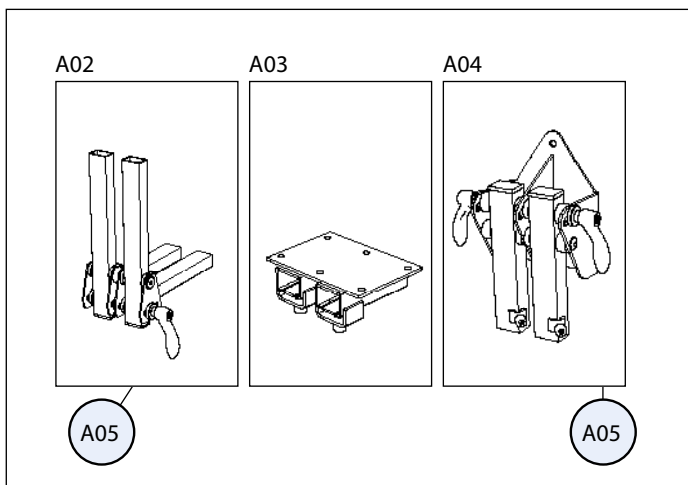


Pos	Art.nr	Benämning
Pos	Art.no	Name
E01	1 BRM1500 801929	Ryggmekanism Medic ErgoMedic S 155 Låg rygg Backrest adjustment Medic ErgoM S Low back 155 mm
	2 BRM4500 801931	Ryggmekanism Medic ErgoMedic S 155 Hög rygg Backrest adjustment Medic ErgoM S High back 155 mm
E02	801922	Ryggfällning Medic 155mm S Cla/ErgoM 200mm Backrest mechanism Medic 155 mm S Cla/ErgoM 200 mm
E03	801928	Ryggstolpe Medic ErgoM S Låg rygg Back pole ErgoM S
E04	801737	Ryggstolpe Medic/Comfort ErgoMedic Hög rygg Back pole Medic/Comfort ErgoM High back
E05	803012	Låsspak PLUS M6x10 (braga gummerad) Gummed handle M6x10 PLUS
E06	803013	Låsspak PLUS M6x20 (braga gummerad) Gummed handle M6x20 PLUS
E07	803007	Stjärnratt PLUS M8x1 special (braga gummerad) Gummed knob M8x1
E08	803004	Stjärnratt PLUS M8x20 (braga gummerad) Gummed knob M8x20 PLUS
E09	800837	Ryggfällning fäste Medic Cla/ErgoM Backrestmecanism Medic hold
F01	1 BRM1600 801738	Ryggmekanism Medic ErgoMedic L 155 Låg rygg Backrest adjustment Medic ErgoMedic L Low back 155 mm
	2 BRM4600 801740	Ryggmekanism Medic ErgoMedic L 155 Hög rygg Backrest adjustment Medic ErgoMedic L High back 155 mm
F02	801082	Ryggfällning Medic 155mm L Cla/ErgoM 240mm Backrest mechanism Medic 155 mm L Cla/ErgoM 240 mm
F03	801088	Ryggstolpe Medic/Comfort ErgoMedic Låg rygg Back pole Medic/Comfort ErgoMedic L Low back
F04	801737	Ryggstolpe Medic/Comfort ErgoMedic Hög rygg Back pole Medic/Comfort ErgoM High back
F05	803012	Låsspak PLUS M6x10 (braga gummerad) Gummed handle M6x10 PLUS
F06	803013	Låsspak PLUS M6x20 (braga gummerad) Gummed handle M6x20 PLUS
F07	803007	Stjärnratt PLUS M8x1 special (braga gummerad) Gummed knob M8x1
F08	803004	Stjärnratt PLUS M8x20 (braga gummerad) Gummed knob M8x20 PLUS
F09	800837	Ryggfällning fäste Medic Cla/ErgoM Backrestmecanism Medic hold
G01	1 BRM1700 801933	Ryggmekanism Medic ErgoM XL 155 Låg rygg Backrest adjustment Medic ErgoM XL Low back 155 mm
	2 BRM4700 801935	Ryggmekanism Medic ErgoM XL 155 Hög rygg Backrest adjustment Medic ErgoM XL High back 155 mm
G02	801084	Ryggfällning Medic 155mm XL Cla/ErgoM 340mm Backrest mechanism Medic 155 mm XL Cla/ErgoM 340 mm
G03	801088	Ryggstolpe Medic/Comfort ErgoM Låg rygg Back pole Medic/Comfort ErgoM L Low back
G04	801737	Ryggstolpe Medic/Comfort ErgoM Hög rygg Back pole Medic/Comfort ErgoM High back
G05	803012	Låsspak PLUS M6x10 (braga gummerad) Gummed handle M6x10 PLUS
G06	803013	Låsspak PLUS M6x20 (braga gummerad) Gummed handle M6x20 PLUS
G07	803007	Stjärnratt PLUS M8x1 special (braga gummerad) Gummed knob M8x1
G08	803004	Stjärnratt PLUS M8x20 (braga gummerad) Gummed knob M8x20 PLUS
G09	800837	Ryggfällning fäste Medic Cla/ErgoM Backrestmecanism Medic hold
H01	803270	Skruvsats f montering av rygg och ryggfällning Screw kit for backrest assembly

Stycklista – Ryggmekanism Dubbel Medic

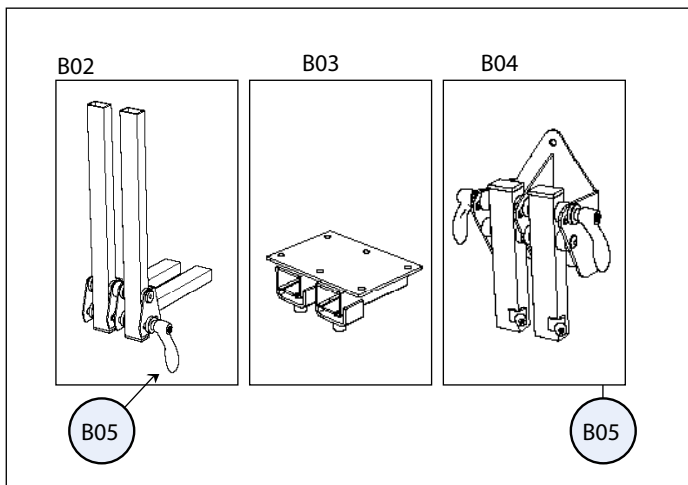
Part list – Backrest mechanism Double Medic

A01 240 x 155 mm (hxd)



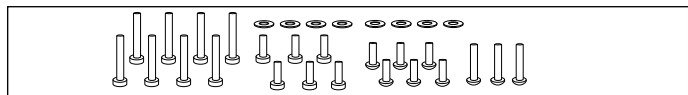
Pos	Art.nr	Benämning
Pos	Art.no	Name
A01	BRM5600 803585	Ryggmekanism Dubbel Medic L DJ 155 Hj 240 Hög rygg Backrest adjustment Double Medic 240 mm high back
A02	805099	Ryggfällning Dubbel Medic 155mm L Cla/ErgoM (Övrerör 240mm) Backrestmecha. Double Medic 155 mm L Ergom/Clas. 240 mm
A03	802859	Ryggfällning fäste Medic Dubbel ryggfällning Backrest mechanism Double Medic hold
A04	802860	Ryggstolpe Medic Dubbel ryggfälln plats f nackstöd Back pole Double Medic
A05	803006	Låsspak Plus M8 (inv gänga) (braga gummerad) Lock handle Plus M8 Internal thread (Braga rubberized)

B01 340 x 155 mm (hxd)



B01	BRM5700 803586	Ryggmekanism Dubbel Medic XL DJ 155 Hj 340 Hög rygg Backrest adjustment Double Medic 340 mm high back
B02	805100	Ryggfällning Dubbel Medic 155mm XL Cla/ErgoM (Övrerör 340mm) Backrestmecha. Double Medic 155 mm XL Ergom/Clas. 340 mm
B03	802859	Ryggfällning fäste Medic Dubbel ryggfällning Backrest mechanism Double Medic hold
B04	802860	Ryggstolpe Medic Dubbel ryggfälln plats f nackstöd Back pole Double Medic
B05	803006	Låsspak Plus M8 (inv gänga) (braga gummerad) Lock handle Plus M8 Internal thread (Braga rubberized)

D01 Skruvsats för montering av rygg och ryggfällning
Screw kit for backrest assembly

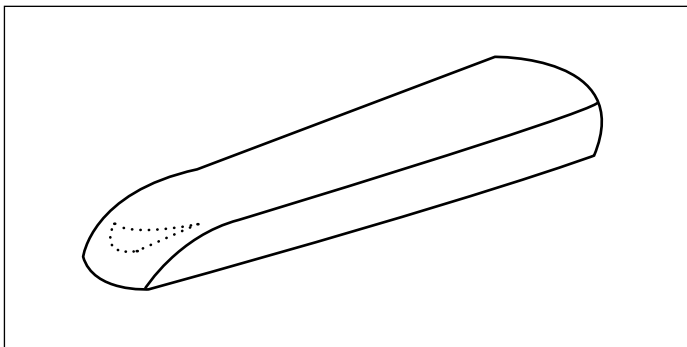


D01	803270	Skruvsats f montering av rygg och ryggfällning Screw kit for backrest assembly
-----	------------------------	---

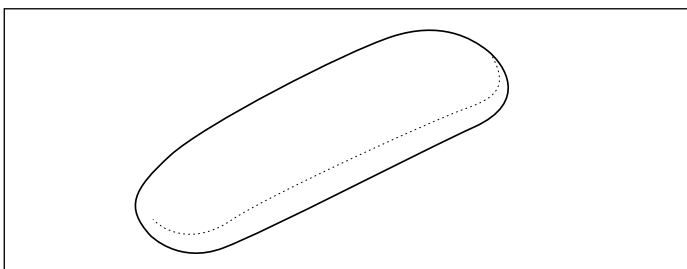
Stycklista – Armstöd

Part list – Armrests

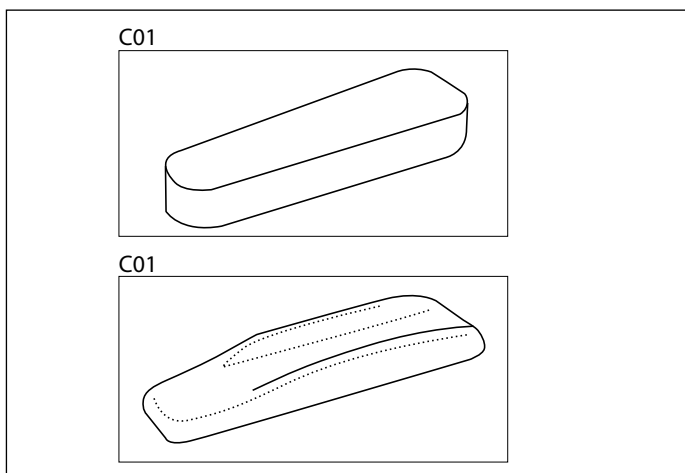
A01 ErgoMedic för samtliga armstödsmekanismer
ErgoMedic for all armrest mechanisms



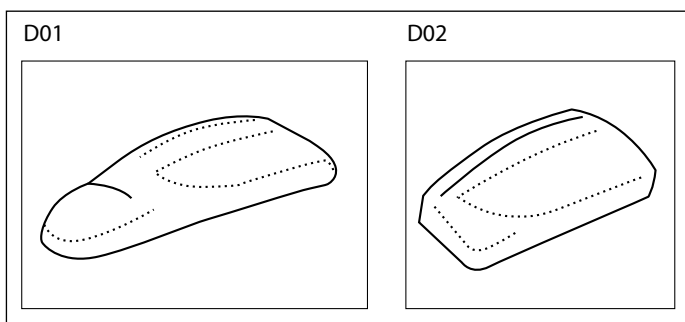
B01 Extra Soft för samtliga armstödsmekanismer
Extra Soft for all armrest mechanisms



C Mobil för samtliga armstödsmekanismer
Mobil for all armrest mechanisms



D ErgoMedic PLUS för samtliga armstödsmekanismer
ErgoMedic PLUS for all armrest mechanisms



E01 Skruvsats för montering av armstöd
Screw kit for armrest assembly



Pos	Art.nr	Benämning
Pos	Art.no	Name
A01	1 AR103038 240380	Armstöd platta ErgoMedic 35 cm Konstläder Svart Armrest Classic 35 cm Skai Black
	2 AR102038 240381	Armstöd platta ErgoMedic 30 cm Konstläder Svart Armrest Classic 30 cm Skai Black
	3 AR101038 240382	Armstöd platta ErgoMedic 25 cm Konstläder Svart Armrest Classic 25 cm Skai Black
	4 AR104038 240383	Armstöd platta ErgoMedic 40 cm Konstläder Svart Armrest Classic 40 cm Skai Black
	5 AR112038 242381	Armstöd platta Mini 30 cm Konstläder Svart Armrest Mini 30 cm Skai Black
	6 AR111038 242382	Armstöd platta Mini 25 cm Konstläder Svart Armrest Mini 25 cm Skai Black

B01	1 AR513038	Armstöd platta extra soft 35 cm Konstläder Svart Armrest Extra soft 35 cm Skai Black
	2 AR512038	Armstöd platta extra soft 30 cm Konstläder Svart Armrest Extra soft 30 cm Skai Black
	3 AR511038	Armstöd platta extra soft 25 cm Konstläder Svart Armrest Extra soft 25 cm Skai Black

C01	1 AR303038 245380	Armstöd platta Mobil 35 cm Konstläder Svart Armrest Mobile 35 cm Skai Black
	2 AR302038 245381	Armstöd platta Mobil 30 cm Konstläder Svart Armrest Mobile 30 cm Skai Black
	3 AR301038 245382	Armstöd platta Mobil 25 cm Konstläder Svart Armrest Mobile 25 cm Skai Black
	4 AR304038 245383	Armstöd platta Mobil 40 cm Konstläder Svart Armrest Mobile 40 cm Skai Black
C02	AR406038 244382	Armstöd platta Hemilegi 45x12 cm Konstläder Svart Armrest Hemilegi 45x12 cm Skai Black

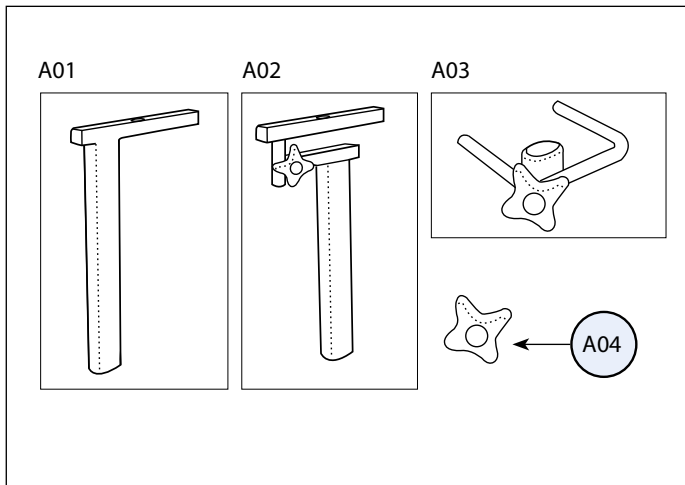
D01	1 AR205138 243380	Armstöd platta ErgoM PLUS Hö 42 cm Konstläder Svart Armrest ErgoMedic PLUS Right 42 cm Skai Black
	2 AR205238 243385	Armstöd platta ErgoM PLUS Vå 42 cm Konstläder Svart Armrest ErgoMedic PLUS Left 42 cm Skai Black
D02	1 AR202138 243381	Armstöd platta ErgoM PLUS Hö 30 cm Konstläder Svart Armrest ErgoMedic PLUS Right 30 cm Skai Black
	2 AR202238 243386	Armstöd platta ErgoM PLUS Vå 30 cm Konstläder Svart Armrest ErgoMedic PLUS Left 30 cm Skai Black

D01	803271	Skruvsats f montering armstöd Screw kit for armrest assembly
-----	------------------------	---

Stycklista – Armstödsmechanismer

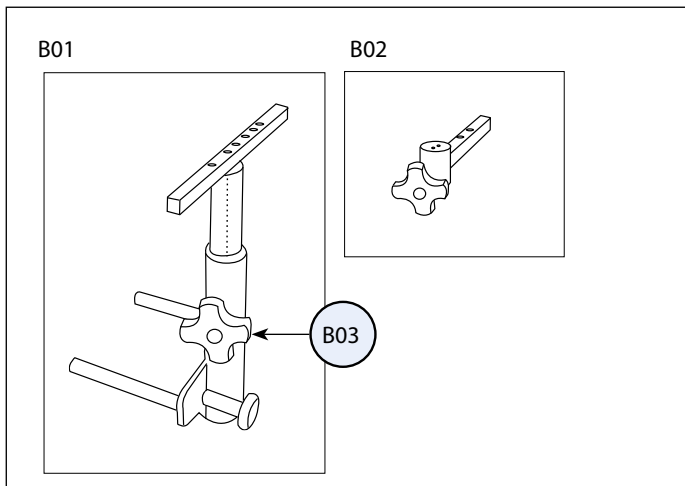
Part list – Armrest mechanisms

A Armstödsmechanism PLUS Armrest mechanism PLUS



Pos	Art.nr	Benämning
Pos	Art.no	Name
A01	1 600304	Armstöd PLUS Höger Höjd 32 Armrest PLUS right, Height 32
	2 600305	Armstöd PLUS Vänster Höjd 32 Armrest PLUS left, Height 32
	3 600306	Armstöd PLUS Höger Höjd 38 Armrest PLUS right, Height 38
	4 600307	Armstöd PLUS Vänster Höjd 38 Armrest PLUS left, Height 38
	5 802773	Armstöd Plus Mini Höger Armrest PLUS Mini right
	6 802774	Armstöd Plus Mini Vänster Armrest PLUS Mini left
A02	1 802992	Armstöd Hemiplegi Höjd 32 PLUS armstöd Höger Hemiplegic armrest Height 32 PLUS armrest right
	2 802993	Armstöd Hemiplegi Höjd 32 PLUS armstöd Vänster Hemiplegic armrest Height 32 PLUS armrest left
A03	1 802698	Armstöd Breddbåge PLUS Höger 9000/6100 U-bar for width adjustment PLUS Right
	2 802699	Armstöd Breddbåge PLUS Vänster 9000/6100 U-bar for width adjustment PLUS Left
	3 802771	Armstöd Breddbåge Plus Mini Höger U-bar for width adjustment PLUS Mini Right
	4 802772	Armstöd Breddbåge Plus Mini Vänster U-bar for width adjustment PLUS Mini Left
A04	803004	Stjärnratt Plus M8x20 (Braga gummerad) Gummed knob M8x20 PLUS
B01	1 ARM3011 600126	Armstöd mekanism 6100 kpl. Höger B >40 (Vuxen) Armrest mechanism 6100 right Compl. >40
	2 ARM3012 600125	Armstöd mekanism 6100 kpl. Vänster B >40 (Vuxen) Armrest mechanism 6100 left Compl. >40
	3 ARM3111 600170	Armstöd mekanism 6100 kpl. Vs Höger Br>40 (Vuxen) Armrest mechanism 6100 right Compl. angle adjustable >40
	4 ARM3112 600169	Armstöd mekanism 6100 kpl. Vs Vänster Br>40 (Vuxen) Armrest mechanism 6100 left Compl. angle adjustable >40
B02	1 802991	Hemiplegi mekanism för fällbara armstöd Hö+Vä Hemiplegic mechanism for foldable armrest Right+Left
	2 802989	Hemiplegi mekanism för fällbara armstöd Höger Hemiplegic mechanism for foldable armrest Right
	3 802990	Hemiplegi mekanism för fällbara armstöd Vänster Hemiplegic mechanism for foldable armrest Left
B03	1 600139	Justerratt höjd armstöd 6100 kpl Adjustment knob height for foldable armrest

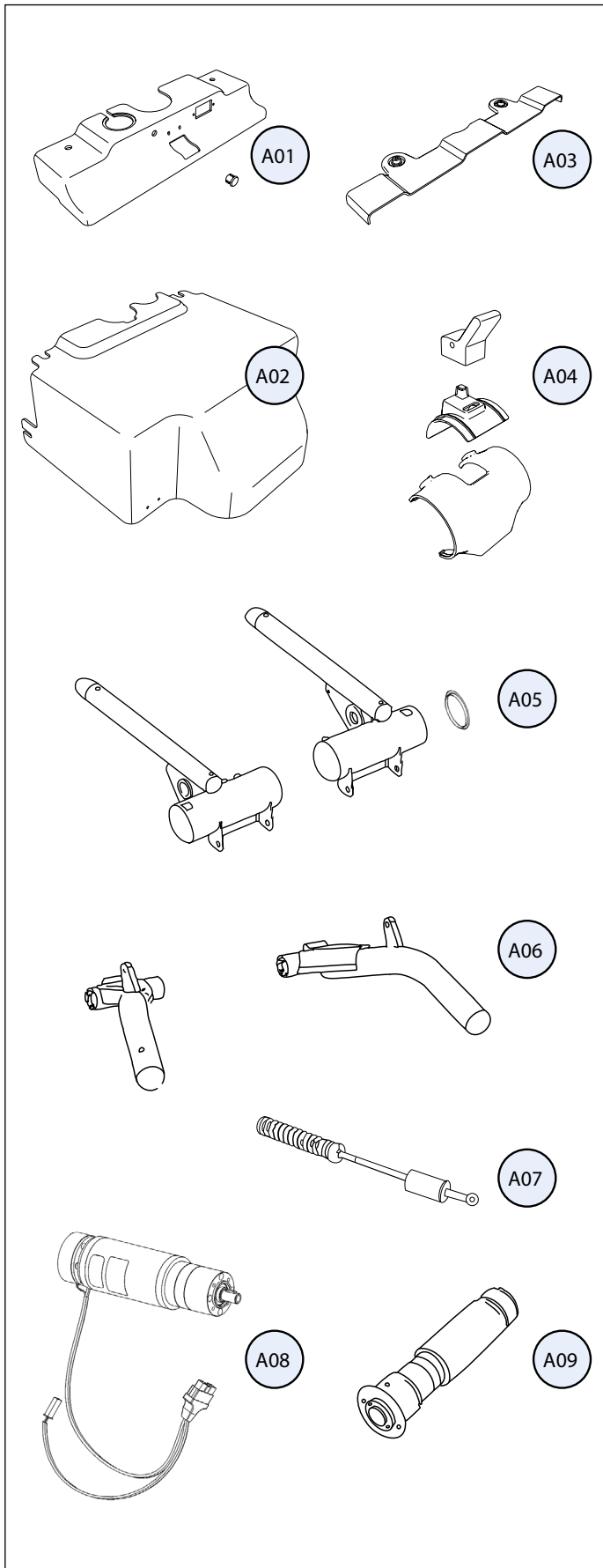
B Armstödsmechanism fällbar Foldable armrest mechanism



Stycklista – Chassi

Part list – Chassis

A



Pos	Art.nr	Benämning
Pos	Art.no	Name
! A01	1 600370	Frontkåpa REAL 6100 PLUS Front housing REAL 6100 PLUS
	2 600406	Frontkåpa Mobil 6100 Plus med urtag för Drifftidsmätare Front Housing Mobile 6100 Plus w. socket for hourmeter
	3 805059	Frontkåpa f REAL 6100 PLUS Front cover REAL 6100 PLUS
	4 805057	Frontkåpa REAL 6100 PLUS Komplet Front cover REAL 6100 PLUS cpl
	5 805037	Täckplugg D12,9 f frontkåpa REAL 6100 PLUS Cover Plug D12,9 f front cover REAL 6100 PLUS
! A02	1 600369	Batterikåpa REAL 6100 PLUS Battery cover REAL 6100 PLUS
	2 805051	Batterikåpa komplett f REAL 6100 PLUS DX2 Battery cover cpl f REAL6100 PLUS DX2
	3 805039	Batterikåpa komplett f REAL 6100 PLUS LiNX Battery cover cpl f REAL 6100 PLUS LiNX
! A03	805046	Skyddskåpa Batteripoler f REAL 6100 PLUS inkl. fästdetaljer Battery Safety Cover REAL 6100 PLUS
! A04	1 600411	Bromsfrigörarreglage kpl med magnet Brake release device cpl with magnet
	2 805029	Skyddskåpa bromsfrigörarreglage REAL 6100 PLUS Brake lever cover REAL 6100 PLUS
	3 805030	Kåpa Mittensektion f REAL 6100 PLUS Middle section cover f REAL 6100 PLUS
A05	1 600375	Bakben Vänster 6100 PLUS Rear leg Left
	2 600376	Bakben Höger 6100 PLUS Rear leg right
	3 803944	Styrfläns 6100 PLUS Guide flange 6100 Plus
A06	1 600373	Främre ben Vänster 6100 Plus Front leg left 6100 Plus
	2 600374	Främre ben Höger 6100 Plus Front leg right 6100 Plus
A07	600390	Fjäderpaket f framben kpl f 6100 Plus Springs for front legs 6100 Plus
A08	803661	Drivmotor 6100 PLUS inkl broms och motorkontakt Motor 6100 Plus incl. connections f. brake/motor
A09	1 600393	Drivmotor Vä 6100 Plus kpl med drivaxel och hus Motor left 6100 Plus c/w shaft and housing
	2 600392	Drivmotor Hö 6100 Plus kpl med drivaxel och hus Motor right 6100 Plus c/w shaft and housing

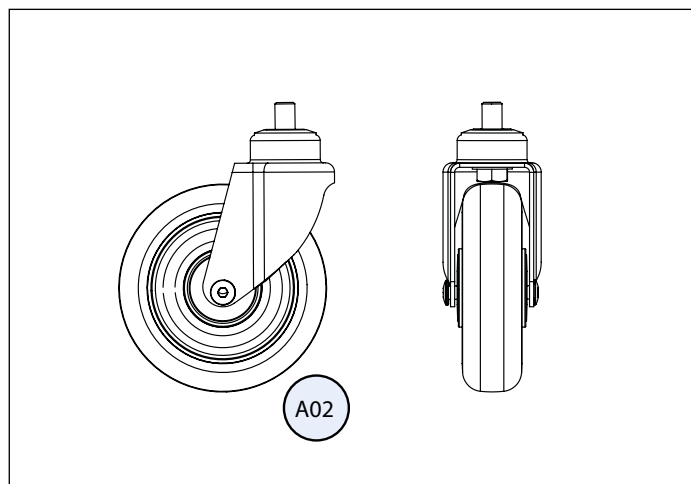
! Från första maj -19 produceras en uppdaterad version av chassi vilket kan påverka kompatibilitet. För mer info, se "ECN-P0027".

! Starting 1st of May -19, an updated version of the chassis which could affect compatibility. For more info, see "ECN-P0027".

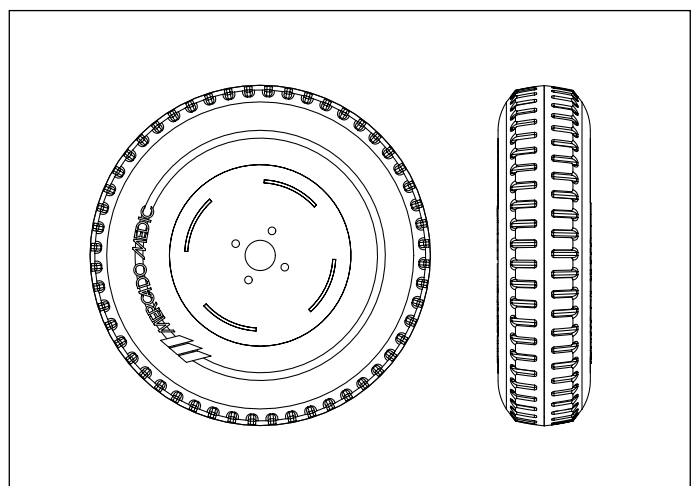
Stycklista – Hjul

Part list – Castors

A01 Länkhjul
Castors



B01 Drivhjul
Drive wheel



Pos	Art.nr	Benämning
Pos	Art.no	Name

A01	804362	Länkhjul Gummibana 125x36 M12 6100 PLUS Castors 125x36 M12 mm
-----	--------	--

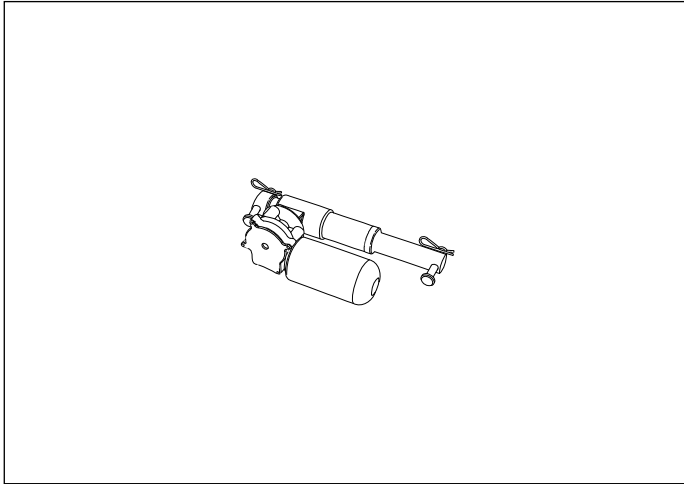
A02	804251	Hjul med gummibana Dia 125x36 Castors without fork 125x36
-----	--------	--

B01	805203	Drivhjul REAL 6100 PLUS Drive wheel for REAL 6100
-----	--------	--

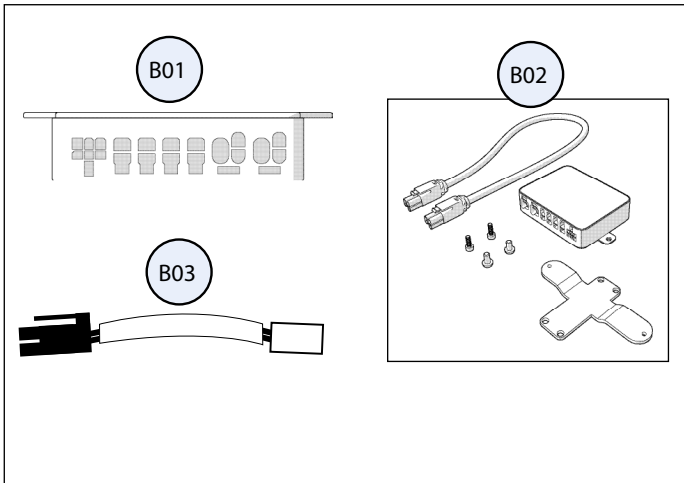
Stycklista – Elektronik

Part list – Electronics

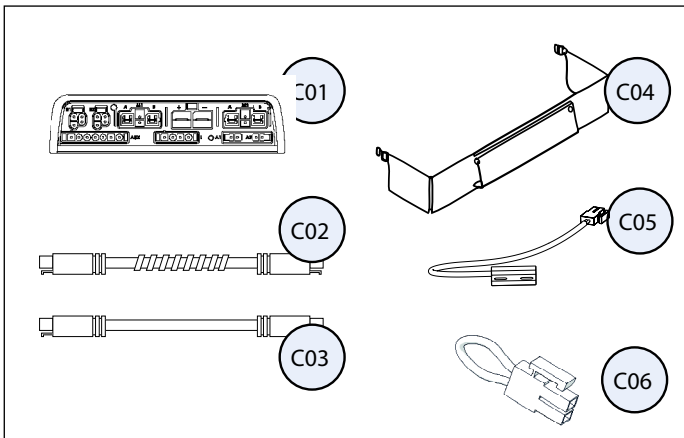
A01 Elektronik för sitsvinkling Electronics for seat angle adjustment



B Elektronik för sitsfunktioner Electronics for seat functions



C Elektronik för drivning Electronics for drive

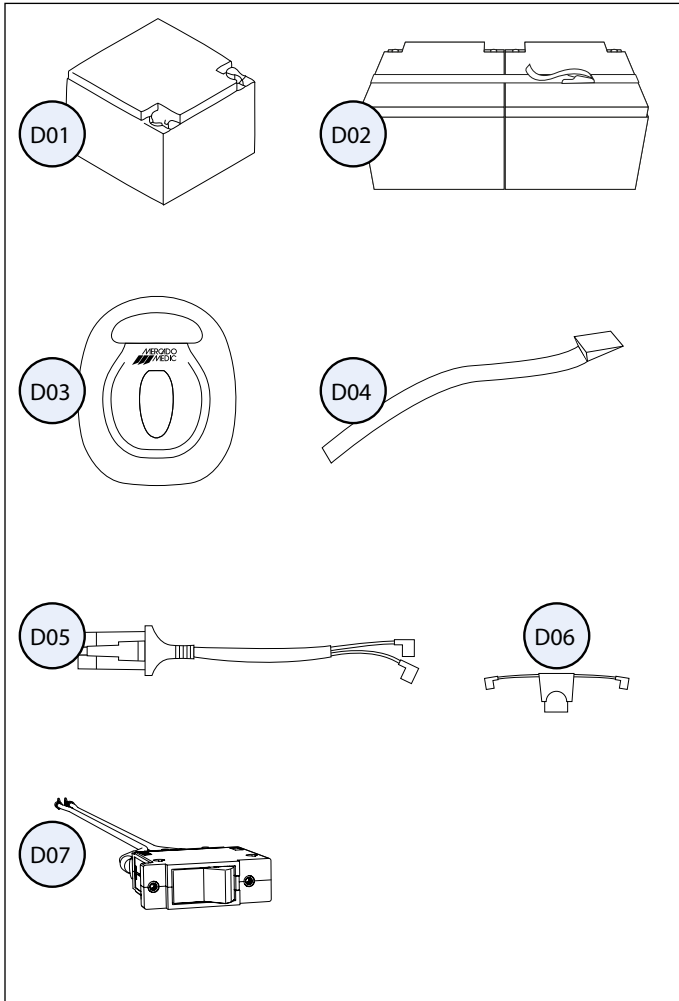


Pos	Art.nr	Benämning
Pos	Art.no	Name
A01	1	SAR44 Eldonssats f sitstilt f REAL 6100 15/8 Electric kit + relaycard f seat angle 15/8
	2	SAR54 Eldonssats f sitstilt f REAL 6100 15/15 Electric kit + relaycard f seat angle 15/15
B01	1	803138 Fördelningsbox DX2-ACT4 4 utgångar Relaybox DX2-ACT 4
	2	803137 Fördelningsbox DX2-ACT2 2 utgångar Relaybox DX2-ACT 2
	3	804727 Fördelningsbox LiNX 4 utgångar f 6100 Plus Relaybox DLX-ACT400
B02	1	805032 Kit Fördelningsbox LiNX 4 utgångar för 15/8 Sittkruss Assembly kit Actuator box LiNX 4 channels 15/8
	2	805033 Kit Fördelningsbox LiNX 4 utgångar för 15/15 Sittkruss Assembly kit Actuator box LiNX 4 channels 15/15
B03		600365 Kablage f eldon/ellyftomat DX2 ACT2/ACT4 Cabling
C01	1	804725 Powermodul LiNX f 6100 PLUS Power module LiNX f 6100 PLUS
	2	803136 Elektronik 6100 f DX/DX2 DX2-PMA70 Power module 6100 DX2 f LCD
C02		800035 Kabel Mobil 6100 DX-Bus spiral 1-2m DX BUS curly cable 1,0-2,0m
		804906 Kabel Mobil 6100P Molex-LiNX spiral 1-2m DLX Molex curly cable 1,0-2,0m
C03	1	800060 Kabel Mobil 6100 DX-Bus 1m DX BUS cable 1,0m
	2	804728 Kabel LiNX DLX-bus 0.5 m f 6100 Plus DLX BUS cable 0,5m
	3	804729 Kabel LiNX DLX-Bus 1.0 m f 6100 Plus DLX BUS cable 1,0m
	4	804730 Kabel LiNX DLX-Bus 1.5 m f 6100 Plus DLX BUS cable 1,5m
	5	804731 Kabel LiNX DLX-Bus 2.0 m f 6100 Plus DLX BUS cable 2,0m
	6	805012 Förlängningskabel LiNX 64cm BUS Extension Cable LiNX 64cm
	7	805013 Förlängningskabel LiNX 90cm BUS Extension Cable LiNX 64cm
C04	1	804959 Fäste f Powermodul LiNX 6100 Plus Bracket for power module LiNX
	2	600381 Fäste f Powermodul DX2 6100 PLUS Bracket for power module DX2
	3	600383 Fäste f Powermodul Shark 6100 PLUS Bracket for power module Shark
C05		600410 Magnetgivare 28x18 SL kpl med kontakt (bromsfrigörare) Magnetic sensors 28x18 SL cpl with contact (brake release)
C06		600101 Kontakt Mobil 6100 kpl. Molex bygglad Contact Mobil 6100 cpl Molex

Stycklista – Elektronik

Part list – Electronics

D Batteri och laddare Battery and charger



Pos	Art.nr	Benämning
Pos	Art.no	Name
D01	804920	Gelbatteri 12V/28Ah FGS Battery 12V/28Ah FGS
D02	BA1020	Batteripaket 24V/28Ah FGS f REAL 6100 PLUS Battery pack 24V/28Ah FGS f REAL 6100 PLUS
D03	BAC1010	Batteriladdare 6100 Plus 4 amp (17V start) Batterycharger 6100 Plus 4 amp (17V start)
D04	804023	Fästband Batteri L 1200mm B 18mm f Real 6100 Plus Cord for battery L 1200mm W 18mm f Real 6100 Plus
D05	600274	Kablage Mobil 6100 batteri/elektronik SHARK/DX2 Cabling for battery/electronics SHARK/DX2
	600384	Kablage Mobil 6100 f batteri/elektronik DX2 Cabling for battery/electronics DX2
D06	600394	Kablage Mobil 6100 kpl batterisäkringshållare 40Amp Cabling 6100 for battery fuse 40Amp
D07	805011	Automatsäkring(CBI) 40 amp kpl f REAL 6100 PLUS Circuit breaker 40 amp cpl. f REAL 6100 PLUS



MERCADO SVERIGE

Mercado Medic AB
Tryffelslingan 14
181 57 Lidingö

Telefon & Fax
Tel 08 555 143 00
Fax 08 555 143 99

Email & Internet
Email info@mercado.se
Internet www.mercado.se



MERCADO NETHERLANDS

Mercado Medic
Nederland BV
Nobelweg 22
3899 BN Zeewolde

Phone & Fax
Tel +31 (0) 36 521 99 95
Fax +31 (0) 36 521 99 90

Email & Internet
Email info@mercado-medic.nl
Internet www.mercado-medic.nl



MERCADO UK

Mercado Medic UK Ltd
PO Box 4818
Warwick, CV34 9GB

Phone & Fax
Ph +44-(0)844 561 6874
Fax +44-(0)844 561 6875

Email & Internet
Email info@mercado-medic.co.uk
Internet www.mercado-medic.co.uk



MERCADO GERMANY

Mercado Medic Deutschland GmbH
Augustinusstraße 11e
50226 Frechen Königsdorf

Telefon
T. +49 2234 809 85 87

E-mail und Internet
info@mercadomedic.de
www.mercadomedic.de



MERCADO NORGE

Sunrise Medical AS
Delitoppen 3
1540 Vestby, Norge

Telefon & Telefaks
Telefon: +47 (0) 66 96 38 00
Telefaks: +47 (0) 66 96 38 80

Epost & internett
Epost: post@sunrisemedical.no
Internett: www.sunrisemedical.no