

Article

Art.nr.

Legsupp Medic Compl.	LS10xxxx
Legsupp Medic Compl. Mini	LS11xxxx
Legsupp Medic Div.	LS15xxxx
Legsupp Medic Div. Mini	LS16xxxx

Necessary tools

Allen key	800897
-----------	--------

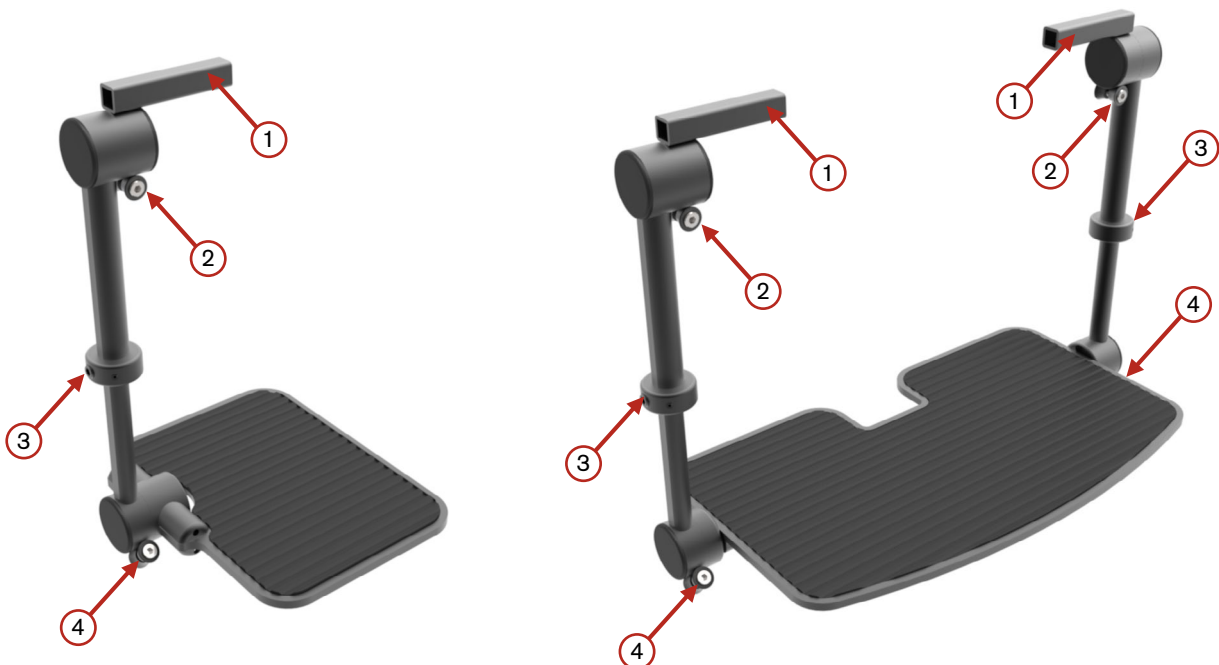
Instructions

Mount the square attachment bar(1) into the bracket underneath the front of the seat. Adjust for right width and tighten the screws in the bracket using an Allen key.

The legsupports angle is adjusted with the screw(2).

Adjust the length of the legsupport with the screw(3) so that the thigh of the user is resting on the seat, and adjust the the angle with the screw(4) so the users foot or feet gets full support without sliding off.

NOTE! Tighten all screws after adjustments.



The picture above shows the right side of a divided legsupport as well as a complete legsupport.