

## Article

Electric kit for seat electric brake for PLUS

## Art.nr.

803037

## Necessary tools

Allen key 5 mm

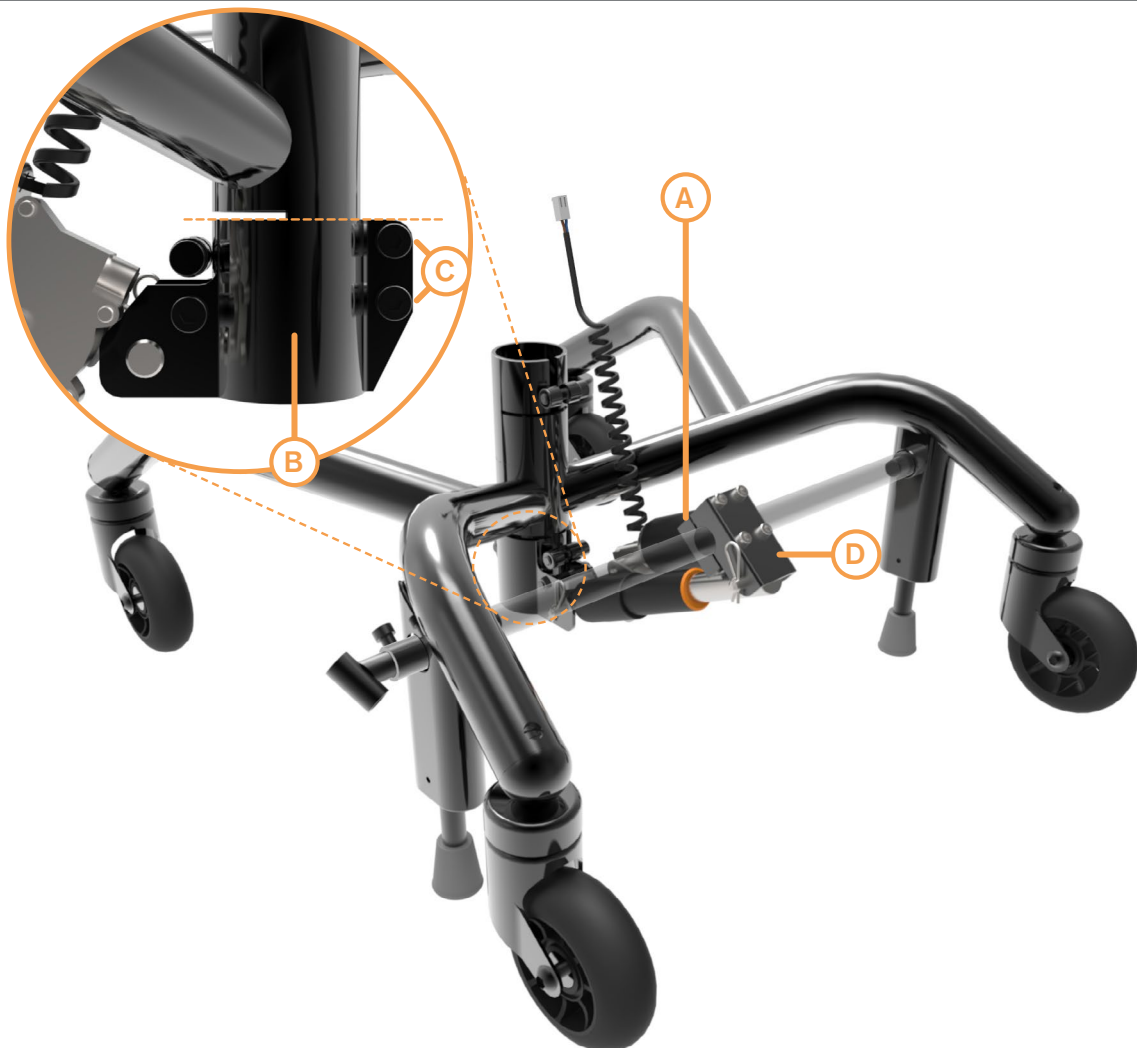
Allen key 6 mm

## Instructions

1. Remove the lower bracket(A) by unscrewing the four M6 screws.
2. Mount the attachment(B) in level with the lower slit as shown in the picture. Tighten the rear M8 screw. Make sure that there is a clearance between the two halves of the attachment of about 1 mm on each side of the actuator. Tighten the front M8 screws(C) by hand.
3. Make sure the chairs brake is engaged. Mount the lower bracket(A) of the shaft attachment(D) so the attachment sits around the brake shaft. Tighten the M6 screws by hand(loosely). Connect the cables according to the diagram(E)\*. The actuator cables should be fastened to the motor using cable ties, so that they do not disconnect when the chair is elevated. Activate the electric brake so that the actuator is in its extended position.
4. Tighten the frontmost M8 Screws(C), the two halves of the attachment(B) should be touching. Tighten the four M6 screws on the brake shaft attachment(D) properly, using a torque of 9,8 Nm.

Control the functionality of the electric brake.

*\*See next page*



E

