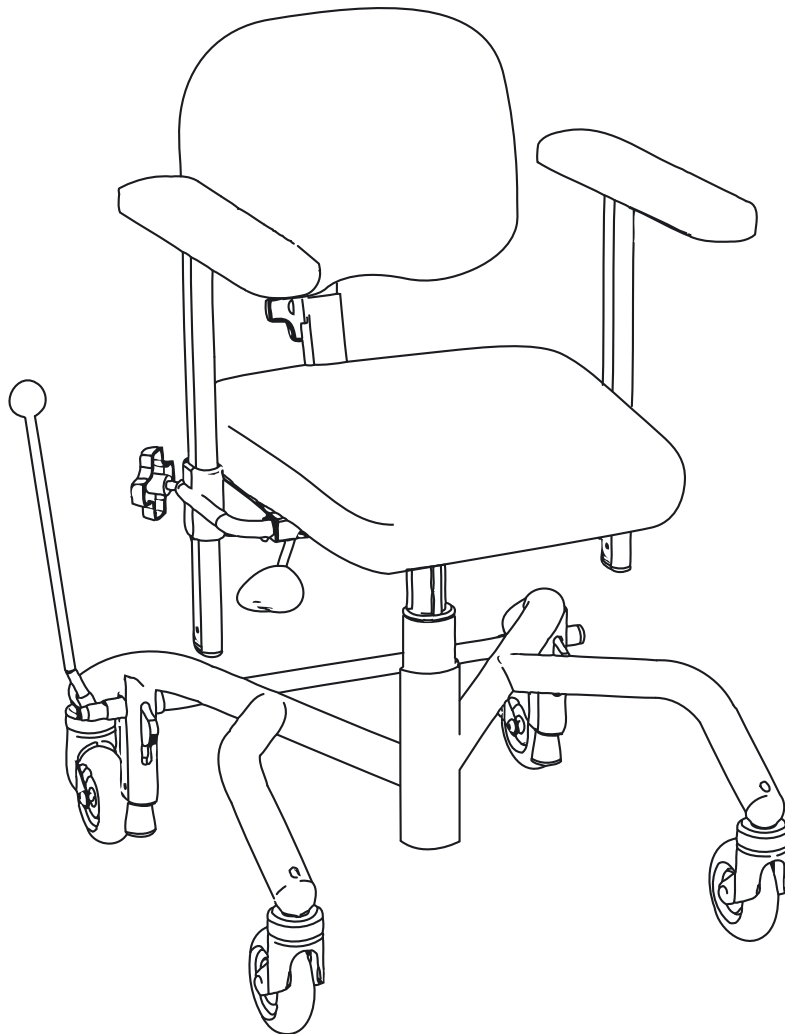




REAL® 9000 PLUS - SPRÄNGSKISS
REAL® 9000 PLUS - EXPLODED DIAGRAM

Artikelnr/Article no 803031
Ändrad/Changed 110223
Giltig från/Valid from 070601

VERSION 001



Mercado Medic AB
Tryffelslingan 14
181 57 Lidingö

Telefon & Fax
Tel 08 555 143 00
Fax 08 555 143 99

Email & Internet
Email info@mercado.se
Internet www.mercado.se

Innehållsförteckning

Table of content

Detalj <i>Detail</i>	Sida <i>Page</i>
KLÄDSLAR & FÄRGKODER/UPHOLSTERY & COLOUR CODES	3
SITTPLATTA/SEAT	4
SITTKRYSS/SEAT FRAME	10
REGLAGE/CONTROLS	12
LYFTOMATER/LIFTOMATS	14
RYGGPLATTA/BACKREST	16
RYGGMEKANISM/BACKREST MECHANISM	24
ARMSTÖDSMEKNASIMER/ARMREST MECHANISMS	28
ARMSTÖD/ARMRESTS	29
STATIV & BROMSAR/BASE & BRAKES	30
HJUL/CASTORS	32
MANÖVERBOX/REMOTE	34
LADDBOX/CHARGERBOX	36

FÖRKLARING AV SYMBOLER

EXPLANATION OF THE SYMBOLS



Artikel för REAL 9000 PLUS VUXEN
Article for REAL 9000 PLUS ADULT



Artikel för REAL 9000 PLUS BARN
Article for REAL 9000 PLUS CHILD



Artikel för REAL 9000 PLUS MINI
Article for REAL 9000 PLUS MINI



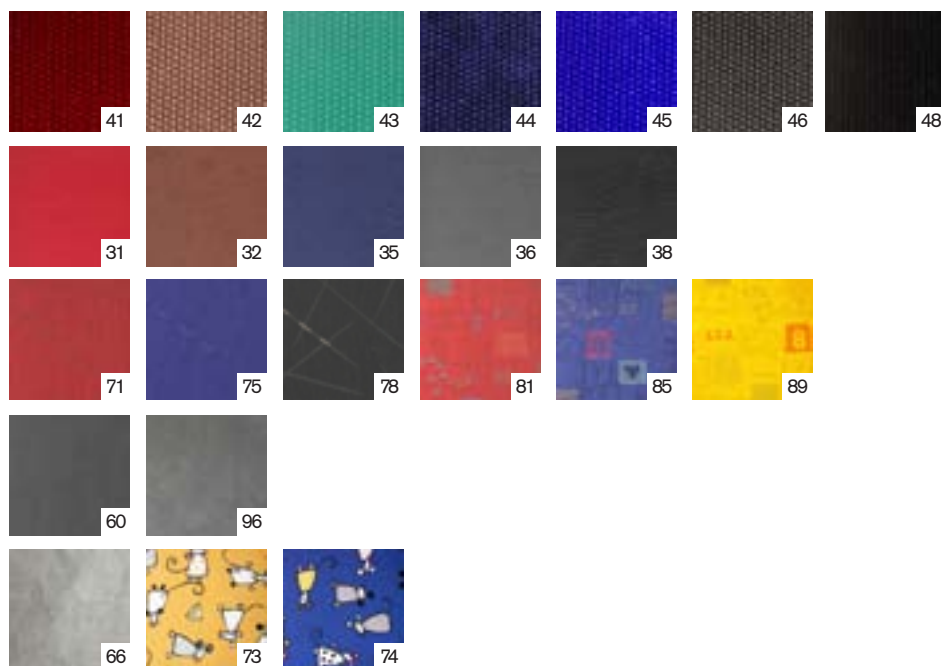
Artikel för alla REAL 9000 PLUS
Article for all REAL 9000 PLUS



Stativförlängare måste användas
Base extension must be applied

Klädslar & färgkoder

Upholstery & colour codes



FÖRKLARING TILL STOPPDETALJERS ARTIKELNUMMER Art.nr: 150460. = "Sits ErgoMedic, plysch grå 44x48 cm"

EXPLANATION OF THE STRUCTURE OF THE ARTICLE NUMBER Article No: 150460. = "ErgoMedic seat, plush grey 44x48 cm"

Siffror 1 = Typ av stoppningsartikel (1 = sits, 2 = ryggplatta etc.)

Digit 1 = Type of upholstered article (1 = seat, 2 = back panel, etc.)

Siffror 2-3 = Sittsystem (ErgoMedic, ErgoMedic PLUS, etc.)

Digits 2-3 = Seat system (ErgoMedic, ErgoMedic PLUS, etc.)

Siffror 4 = Material (plysch, konstläder etc.)

Digit 4 = Material (plush, skai, etc.)

Siffror 5 = Färg

Digit 5 = Colour

Siffror 6 = Storlek

Digit 6 = Size

SIFFERKOD KLÄDSLAR (SIFFRA 4 & 5)/DIGITCODE UPHOLSTERY (DIGIT 4 & 5)

Plysch/Plush

41 Vinröd	42 Brun	43 Grön	44 Marin	45 REAL-blå	46 Grå	48 Svart
41 Burgundy	42 Brown	43 Green	44 Marine blue	45 REAL blue	46 Grey	48 Black

Konstläder/Skai

31 Röd	32 Brun	35 Blå	36 Grå	38 Svart
31 Red	32 Brown	35 Blue	36 Grey	38 Black

Väv mönstrad Vuxen/Patterned fabric, Adult

71 Röd	75 Blå	78 Svart	81 Röd
71 Red	75 Blue	78 Black	81 Red

Väv mönstrad Barn/Patterned fabric, Child

85 Blå	89 Gul
85 Blue	89 Yellow

Alternativ klädsel/Alternative covering

60 Hygienväv	96 ESD antistat.	90 Träplatta
60 Hygiene fabric	96 ESD antistatic	90 Wooden seat disc

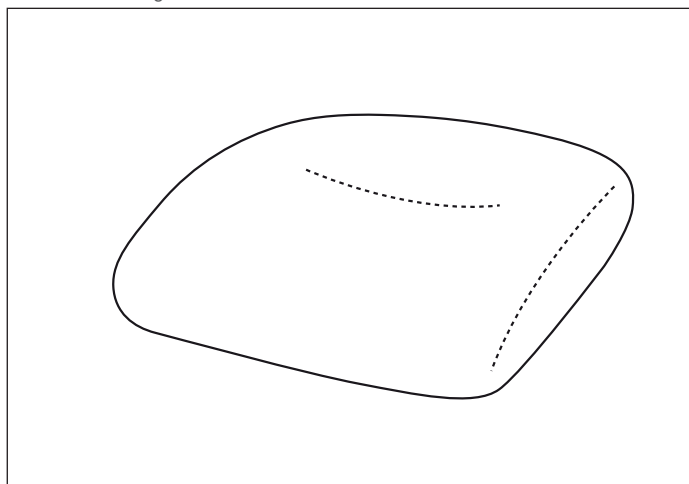
Överdragsklädsel/Covering

66 Inkontinensöverdrag grå plastad frotté	73 Barn/Gul bomull	74 Barn/Blå bomull
66 Incontinence cover, grey plastic-coated terry	73 Child/Yellow cotton	74 Child/Blue cotton

Stycklista - Sittplatta

Part list - Seat

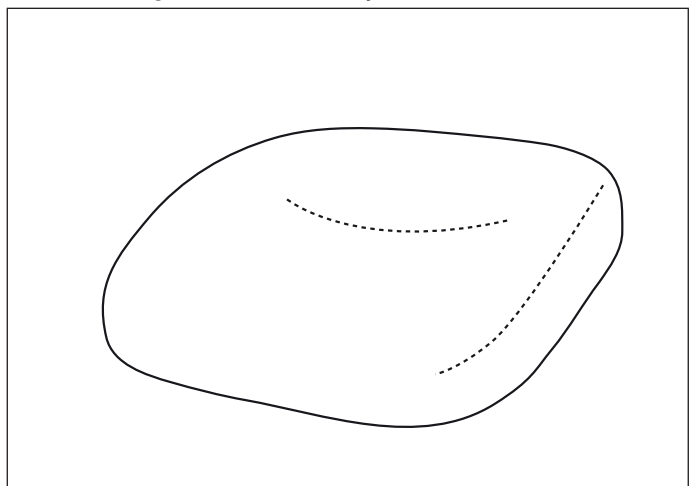
A01 Sits ErgoMedic
Seat ErgoMedic



Pos	Art.nr	Benämning
Pos	Art.no	Name

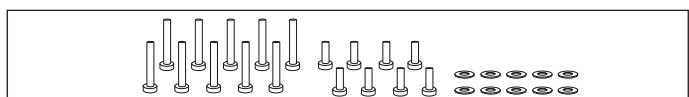
A01	1	150460	Sits ErgoMedic 44x48
	1		Seat ErgoMedic 44x48
	2	150461	Sits ErgoMedic 48x48
	2		Seat ErgoMedic 48x48
	3	150462	Sits ErgoMedic 44x43
	3		Seat ErgoMedic 44x43
	4	150469	Sits ErgoMedic 40x48
	4		Seat ErgoMedic 40x48
	5	150463	Sits ErgoMedic 40x43
	5		Seat ErgoMedic 40x43
	6	150464	Sits ErgoMedic 40x39
	6		Seat ErgoMedic 40x39
	7	150467	Sits ErgoMedic 36x43
	7		Seat ErgoMedic 36x43
	8	150465	Sits ErgoMedic 36x39
	8		Seat ErgoMedic 36x39
	9	150466	Sits ErgoMedic 33x35
	9		Seat ErgoMedic 33x35
	10	150468	Sits ErgoMedic 29x32
	10		Seat ErgoMedic 29x32

B01 Sits ErgoMedic Slow Recovery
Seat ErgoMedic Slow Recovery



B01	1	155460	Sits ErgoMedic Slow Recovery 44x48
	1		Seat ErgoMedic Slow Recovery 44x48
	2	155461	Sits ErgoMedic Slow Recovery 48x48
	2		Seat ErgoMedic Slow Recovery 48x48
	3	155462	Sits ErgoMedic Slow Recovery 44x43
	3		Seat ErgoMedic Slow Recovery 44x43
	4	155469	Sits ErgoMedic Slow Recovery 40x48
	4		Seat ErgoMedic Slow Recovery 40x48
	5	155463	Sits ErgoMedic Slow Recovery 40x43
	5		Seat ErgoMedic Slow Recovery 40x43
	6	155464	Sits ErgoMedic Slow Recovery 40x39
	6		Seat ErgoMedic Slow Recovery 40x39
	7	155467	Sits ErgoMedic Slow Recovery 36x43
	7		Seat ErgoMedic Slow Recovery 36x43
	8	155465	Sits ErgoMedic Slow Recovery 36x39
	8		Seat ErgoMedic Slow Recovery 36x39
	9	155466	Sits ErgoMedic Slow Recovery 33x35
	9		Seat ErgoMedic Slow Recovery 33x35

C01

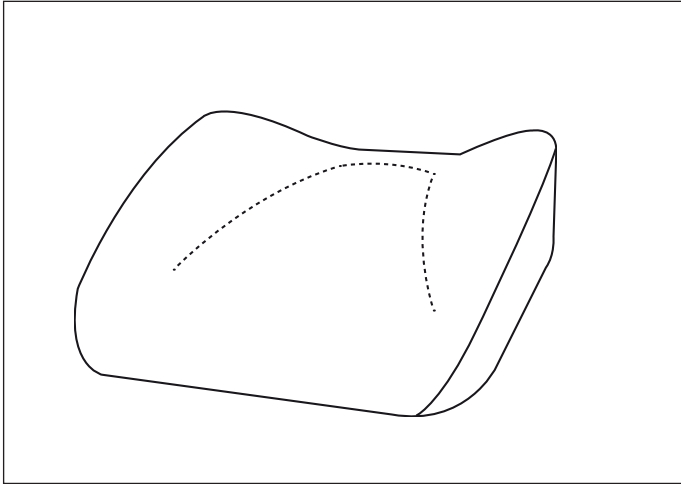


C01 803269 Skruvsats f monterng av sittplatta
Screw kit for seat assembly

Stycklista - Sittplatta

Part list - Seat

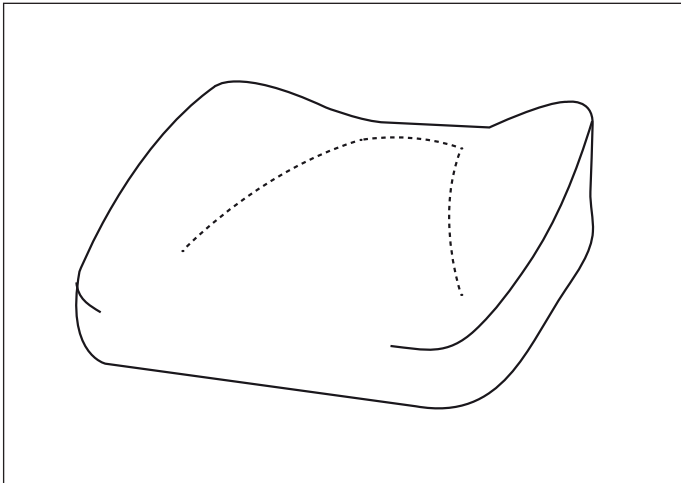
D01 Sits ErgoMedic PLUS
Seat ErgoMedic PLUS



Pos	Art.nr	Benämning
Pos	Art.no	Name

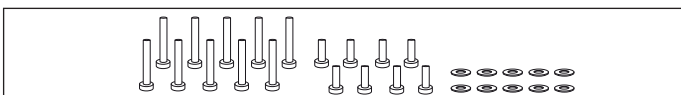
D01	1	151460	Sits ErgoMedic PLUS 44x48 Seat ErgoMedic PLUS 44x48
	1		
	2	151461	Sits ErgoMedic PLUS 48x48 Seat ErgoMedic PLUS 48x48
	2		
	3	151462	Sits ErgoMedic PLUS 44x43 Seat ErgoMedic PLUS 44x43
	3		
	4	151469	Sits ErgoMedic PLUS 40x48 Seat ErgoMedic PLUS 40x48
	4		
	5	151463	Sits ErgoMedic PLUS 40x43 Seat ErgoMedic PLUS 40x43
	5		
	6	151464	Sits ErgoMedic PLUS 40x39 Seat ErgoMedic PLUS 40x39
	6		
	7	151467	Sits ErgoMedic PLUS 36x43 Seat ErgoMedic PLUS 36x43
	7		
	8	151465	Sits ErgoMedic PLUS 36x39 Seat ErgoMedic PLUS 36x39
	8		
	9	151466	Sits ErgoMedic PLUS 33x35 Seat ErgoMedic PLUS 33x35
	9		
	10	151468	Sits ErgoMedic PLUS 29x32 Seat ErgoMedic PLUS 29x32
	10		

E01 Sits ErgoMedic PLUS Slow Recovery
Seat ErgoMedic Slow Recovery



E01	1	156460	Sits EM PLUS Slow Recovery 44x48 Seat EM PLUS Slow Recovery 44x48
	1		
	2	156461	Sits EM PLUS Slow Recovery 48x48 Seat EM PLUS Slow Recovery 48x48
	2		
	3	156462	Sits EM PLUS Slow Recovery 44x43 Seat EM PLUS Slow Recovery 44x43
	3		
	4	156469	Sits EM PLUS Slow Recovery 40x48 Seat EM Slow PLUS Recovery 40x48
	4		
	5	156463	Sits EM PLUS Slow Recovery 40x43 Seat EM PLUS Slow Recovery 40x43
	5		
	6	156464	Sits EM PLUS Slow Recovery 40x39 Seat EM PLUS Slow Recovery 40x39
	6		
	7	156467	Sits EM PLUS Slow Recovery 36x43 Seat EM PLUS Slow Recovery 36x43
	7		
	8	156465	Sits EM PLUS Slow Recovery 36x39 Seat EM PLUS Slow Recovery 36x39
	8		
	9	156466	Sits EM PLUS Slow Recovery 33x35 Seat EM PLUS Slow Recovery 33x35
	9		

F01

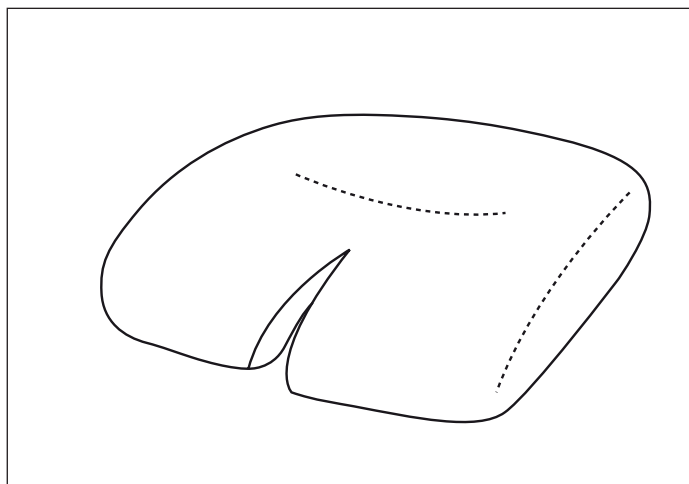


F01 803269 Skruvsats f montering av sittplatta
Screw kit for seat assembly

Stycklista - Sittplatta Coxit

Part list - Seat Coxit

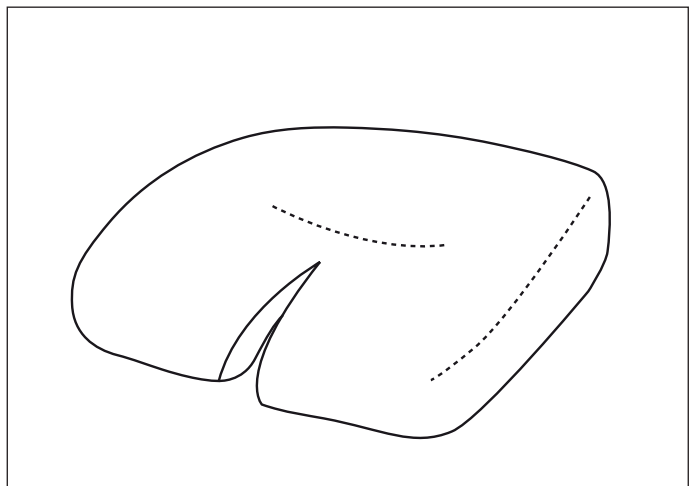
A01 Sits Coxit ErgoMedic
Seat Coxit ErgoMedic



Pos	Art.nr	Benämning
Pos	Art.no	Name

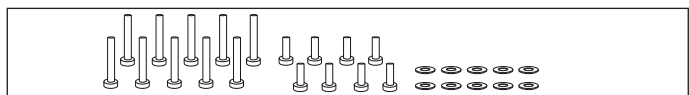
A01	1	160460	Sits Coxit Int ErgoMedic 44x48
	1		Seat Coxit Int ErgoMedic 44x48
	2	160461	Sits Coxit Int ErgoMedic 48x48
	2		Seat Coxit Int ErgoMedic 48x48
	3	160462	Sits Coxit Int ErgoMedic 44x43
	3		Seat Coxit Int ErgoMedic 44x43
	4	160469	Sits Coxit Int ErgoMedic 40x48
	4		Seat Coxit Int ErgoMedic 40x48
	5	160463	Sits Coxit Int ErgoMedic 40x43
	5		Seat Coxit Int ErgoMedic 40x43
	6	160464	Sits Coxit Int ErgoMedic 40x39
	6		Seat Coxit Int ErgoMedic 40x39

B01 Sits Coxit ErgoMedic Slow Recovery
Seat Coxit ErgoMedic Slow Recovery



B01	1	165460	Sits Coxit Int ErgoMedic Slow Recovery 44x48
	1		Seat Coxit Int ErgoMedic Slow Recovery 44x48
	2	165461	Sits Coxit Int ErgoMedic Slow Recovery 48x48
	2		Seat Coxit Int ErgoMedic Slow Recovery 48x48
	3	165462	Sits Coxit Int ErgoMedic Slow Recovery 44x43
	3		Seat Coxit Int ErgoMedic Slow Recovery 44x43
	4	165469	Sits Coxit Int ErgoMedic Slow Recovery 40x48
	4		Seat Coxit Int ErgoMedic Slow Recovery 40x48
	5	165463	Sits Coxit Int ErgoMedic Slow Recovery 40x43
	5		Seat Coxit Int ErgoMedic Slow Recovery 40x43
	6	165464	Sits Coxit Int ErgoMedic Slow Recovery 40x39
	6		Seat Coxit Int ErgoMedic Slow Recovery 40x39

C01

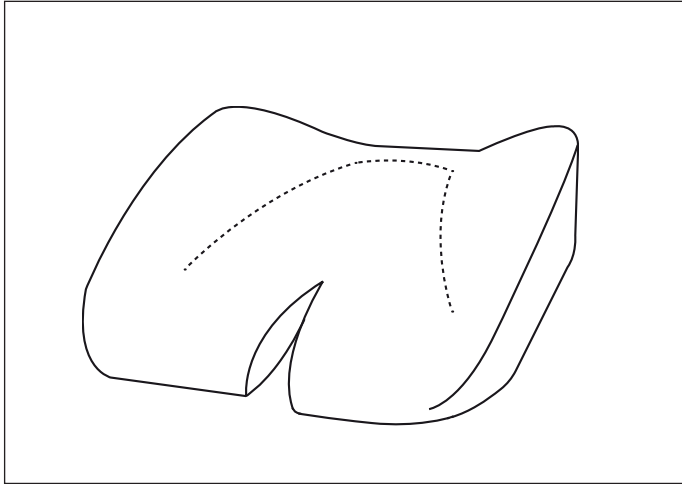


C01 803269 Skruvsats f montering av sittplatta
Screw kit for seat assembly

Stycklista - Sittplatta Coxit

Part list - Seat Coxit

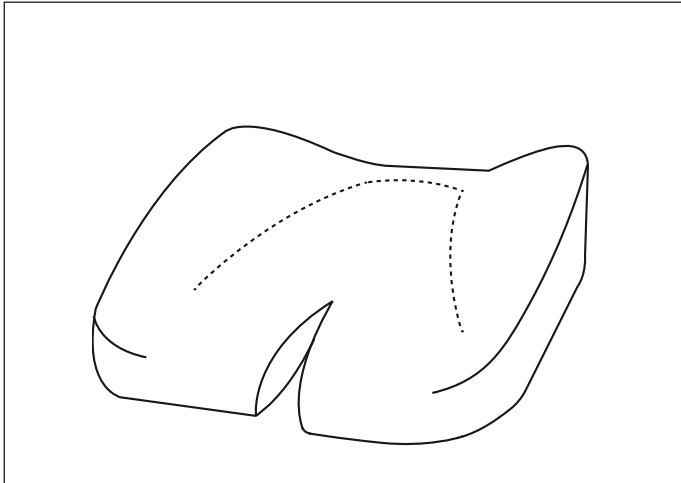
D01 Sits Coxit ErgoMedic PLUS
Seat Coxit ErgoMedic PLUS



Pos	Art.nr	Benämning
Pos	Art.no	Name

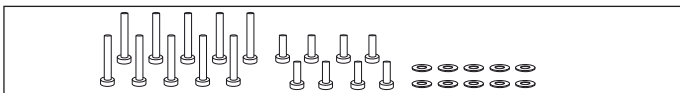
D01	1	161460	Sits Coxit Int EM PLUS 44x48
	1		Seat Coxit Int EM PLUS 44x48
	2	161461	Sits Coxit Int EM PLUS 48x48
	2		Seat Coxit Int EM PLUS 48x48
	3	161462	Sits Coxit Int EM PLUS 44x43
	3		Seat Coxit Int EM PLUS 44x43
	4	161469	Sits Coxit Int EM PLUS 40x48
	4		Seat Coxit Int EM PLUS 40x48
	5	161463	Sits Coxit Int EM PLUS 40x43
	5		Seat Coxit Int EM PLUS 40x43
	6	161464	Sits Coxit Int EM PLUS 40x39
	6		Seat Coxit Int EM PLUS 40x39

E01 Sits Coxit ErgoMedic PLUS Slow Recovery
Seat Coxit ErgoMedic PLUS Slow Recovery



E01	1	166460	Sittplatta EM PLUS Slow Recovery 44x48
	1		Seat Coxit Int EM PLUS Slow Recovery 44x48
	2	166461	Sittplatta EM PLUS Slow Recovery 48x48
	2		Seat Coxit Int EM PLUS Slow Recovery 48x48
	3	166462	Sittplatta EM PLUS Slow Recovery 44x43
	3		Seat Coxit Int EM PLUS Slow Recovery 44x43
	4	166469	Sittplatta EM PLUS Slow Recovery 40x48
	4		Seat Coxit Int EM Slow PLUS Recovery 40x48
	5	166463	Sittplatta EM PLUS Slow Recovery 40x43
	5		Seat Coxit Int EM PLUS Slow Recovery 40x43
	6	166464	Sittplatta EM PLUS Slow Recovery 40x39
	6		Seat Coxit Int EM PLUS Slow Recovery 40x39

F01

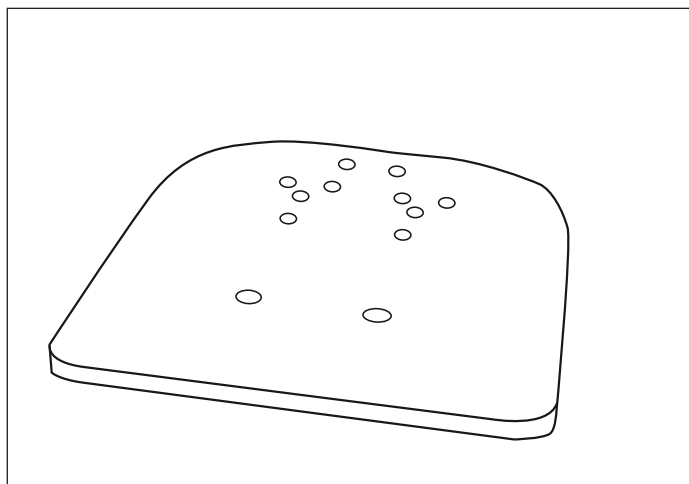


F01 803269 Skruvsats f montering av sittplatta
Screw kit for seat assembly

Stycklista - Sittplatta

Part list - Seat

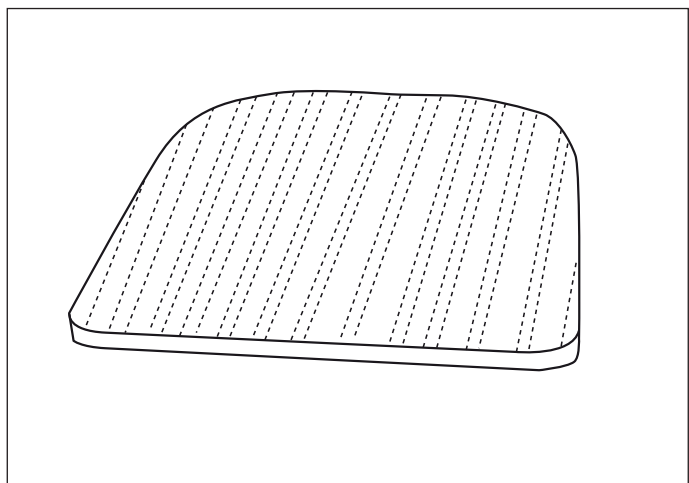
A01 Sittplatta endast träplatta
Seat ErgoMedic woodenplate whitout fabric



Pos	Art.nr	Benämning
Pos	Art.no	Name

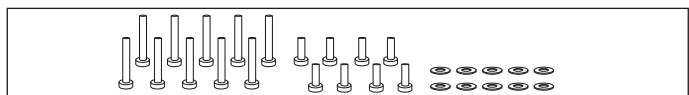
A01	1	150900	Sits ErgoMedic 44x48 Träplatta u Stoppning
	1		Seat ErgoMedic 44x48 Woodenplate Without fabric
	2	150901	Sits ErgoMedic 48x48 Träplatta u Stoppning
	2		Seat ErgoMedic 48x48 Woodenplate Without fabric
	3	150902	Sits ErgoMedic 44x43 Träplatta u Stoppning
	3		Seat ErgoMedic 44x43 Woodenplate Without fabric
	4	150909	Sits ErgoMedic 40x48 Träplatta u Stoppning
	4		Seat ErgoMedic 40x48 Woodenplate Without fabric
	5	150903	Sits ErgoMedic 40x43 Träplatta u Stoppning
	5		Seat ErgoMedic 40x43 Woodenplate Without fabric
	6	150904	Sits ErgoMedic 40x39 Träplatta u Stoppning
	6		Seat ErgoMedic 40x39 Woodenplate Without fabric
	7	150907	Sits ErgoMedic 36x43 Träplatta u Stoppning
	7		Seat ErgoMedic 36x43 Woodenplate Without fabric
	8	150905	Sits ErgoMedic 36x39 Träplatta u Stoppning
	8		Seat ErgoMedic 36x39 Woodenplate Without fabric
	9	150906	Sits ErgoMedic 33x35 Träplatta u Stoppning
	9		Seat ErgoMedic 33x35 Woodenplate Without fabric
	10	150908	Sits ErgoMedic 29x32 Träplatta u Stoppning
	10		Seat ErgoMedic 29x32 Woodenplate Without fabric

B01 Sittplatta Träplatta med antiglid
Seat ErgoMedic antiglide



B01	1	150610	Sits ErgoMedic 44x48 Antiglid matta
	1		Seat ErgoMedic 44x48 Antiglide
	2	150611	Sits ErgoMedic 48x48 Antiglid matta
	2		Seat ErgoMedic 48x48 Antiglide
	3	150612	Sits ErgoMedic 44x43 Antiglid matta
	3		Seat ErgoMedic 44x43 Antiglide
	4	150619	Sits ErgoMedic 40x48 Antiglid matta
	4		Seat ErgoMedic 40x48 Antiglide
	5	150613	Sits ErgoMedic 40x43 Antiglid matta
	5		Seat ErgoMedic 40x43 Antiglide
	6	150614	Sits ErgoMedic 40x39 Antiglid matta
	6		Seat ErgoMedic 40x39 Antiglide
	7	150617	Sits ErgoMedic 36x43 Antiglid matta
	7		Seat ErgoMedic 36x43 Antiglide
	8	150615	Sits ErgoMedic 36x39 Antiglid matta
	8		Seat ErgoMedic 36x39 Antiglide
	9	150616	Sits ErgoMedic 33x35 Antiglid matta
	9		Seat ErgoMedic 33x35 Antiglide
	10	150618	Sits ErgoMedic 29x32 Antiglid matta
	10		Seat ErgoMedic 29x32 Antiglide

C01

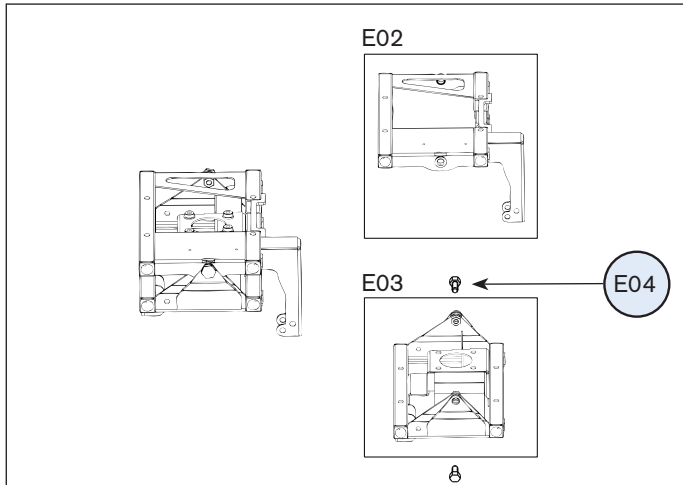


C01 803269 Skruvsats f montering av sittplatta
Screw kit for seat assembly

Stycklista - Sittkryss

Part list - Seatframe

E01 Sittkryss vinkelställbart
Angle adjustable seatframe

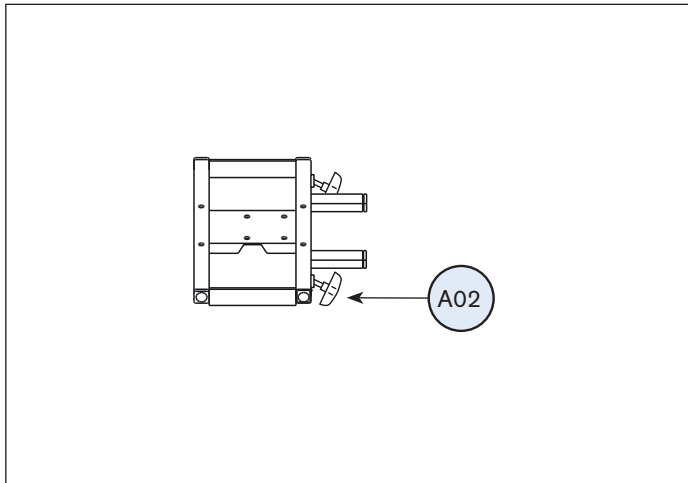


Pos	Art.nr	Benämning
Pos	Art.no	Name
E01	803527	Sittkryssmek 9000/EL Vs -15/+15 Br29-39 Max brukarvikt 75kg Seatframe 9000/EL angle adj. -15/+15 width 29-39 cm max user weight 75 kg
E02	803577	Sittkryssunderdel 9000 B29-39 Vs -15/+15 9000 Max 75kg Seatframe 9000/EL angle adj. -15/+15 lower section width 29-39 cm max user weight 75 kg
E03	803576	Sittkryssöverdel 9000 B29-39 Vs -15/+15 9000 Max 75kg Seatframe 9000/EL angle adj. -15/+15 upper section width 29-39 cm max user weight 75 kg
E04	803578	Lagerskruv f vinkelställbara sittkryss M8 gänga Screw for angle adjustable seat frames M8

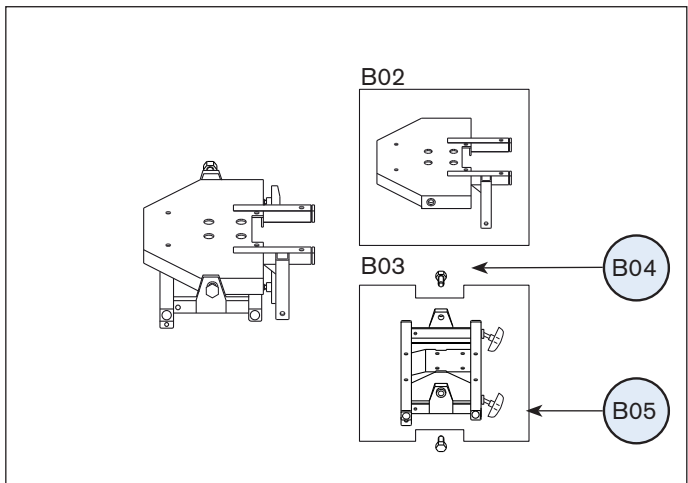
Stycklista - Sittkryss

Part list - Seatframe

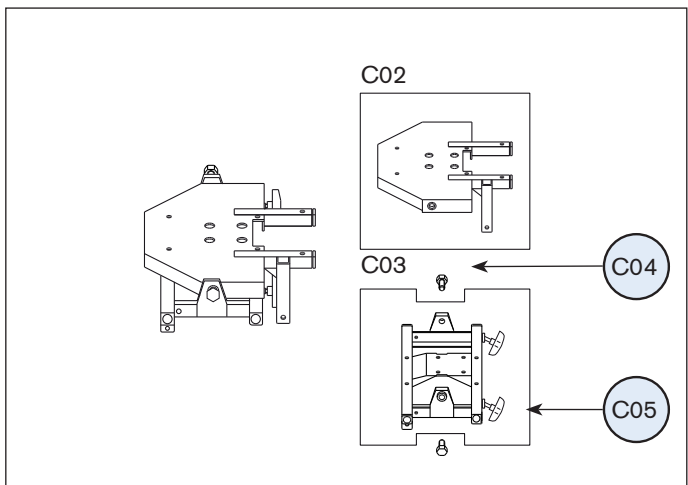
A01 Sittkryss vinkelfast
Seatframe without angle adjustment



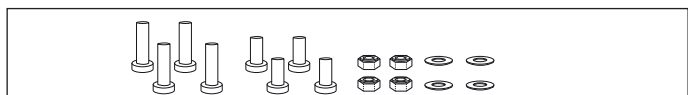
B01 Sittkryss vinkelställbart
Angle adjustable seatframe



C01 Sittkryss vinkelställbart Mini
Angle adjustable seatframe Mini



D01 Skruvsats för lyftomat
Screw kit for liftomat assembly



Pos	Art.nr	Benämning
Pos	Art.no	Name

A01	1	800852	Sittkryssmekanism 9000/9100 Vf Br40-54 cm Seatframe 9000/9100 without angle adjustment 40-54 cm
	2	800853	Sittkryssmekanism 9100 Vf Br33-39 cm Seatframe 9100 without angle adjustment 33-39 cm

A02	803005	Stjärnratt Plus M8x40 (Braga gummerad) Gummed knob PLUS M8x40
-----	--------	--

B01	1	801703	Sittkryssmekanism 9100 Vs Br40-54 cm (Vuxen) Seatframe 9100 angle adjustment width 40-54 cm
	3	801824	Sittkryssmekanism 9100 Vs Br33-39 cm Seatframe 9100 angle adjustment width 33-39 cm
B02	800857	Sittkryss Vs Övre 9000/9100 Br33-54 cm Seatframe 9000/9100 angle adj. upper section width 33-54 cm	
B03	1	800855	Sittkryss Vs Undre 9100/9800 Br40-54 cm (Vuxen) Seatframe 9100/9800 angle adj. lower section width 40-54 cm
	2	800856	Sittkryss Vs Undre 9100/9800 Br33-39 cm (Barn) Seatframe 9100/9800 angle adj. lower section width 33-39 cm

B04	801224	Lagerskruv vinkelställb. Screw angle adjustable
-----	--------	--

B05	803005	Stjärnratt Plus M8x40 (Braga gummerad) Gummed knob PLUS M8x40
-----	--------	--

C01	1	802770	Sittkryss PLUS Mini kpl Seatframe PLUS Mini
C02	803164	Sittkryss Överdel PLUS Mini kpl Seatframe upper part PLUS Mini	
C03	1	803163	Sittkryss Underdel Mini kpl Seatframe lower part PLUS Mini

C04	801224	Lagerskruv vinkelställbar Screw angle adjustable
-----	--------	---

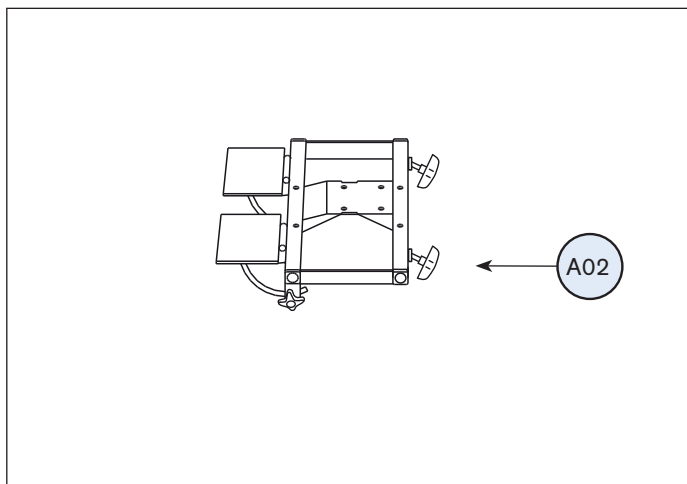
C05	803005	Stjärnratt Plus M8x40 (Braga gummerad) Gummed knob PLUS M8x40
-----	--------	--

D01	803268	Skruvsats f montering av manuell eller el-lyftomat Screw kit for liftomat assembly or electric liftomat
-----	--------	--

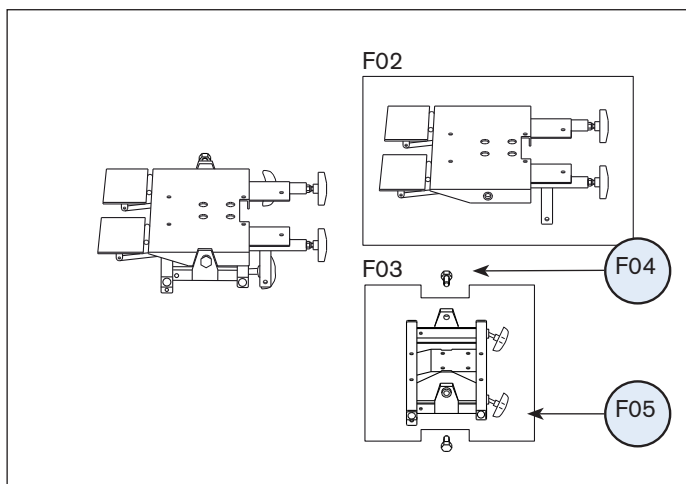
Stycklista - Sittkryss

Part list - Seatframe

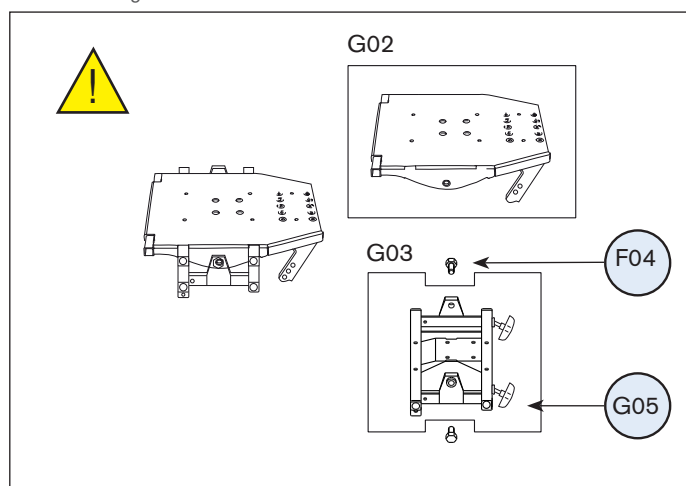
E01 Sittkryss vinkelfast coxit
Seatframe coxit without angle adjustment



F01 Sittkryss vinkelställbart coxit
Angle adjustable coxit seatframe



G01 Sittkryss allvinkel
Allangle seatframe



H01 Skruvsats för lyftomat
Screw kit for liftomat assembly



Pos Art.nr Benämning
Pos Art.no Name

E01 800854 Sittkryssmekanism 9800 Vf Br40-54 (Coxit)
Seatframe 9800 without angle adjustment 40-54 cm

E02 803005 Stjärnratt Plus M8x40 (Braga gummerad)
Gummed knob PLUS M8x40

F01 1 801953 Sittkryssmekanism 9800 Vs Br40-54 cm (Coxit)
Seatframe 9800 angle adjustment width 40-54 cm

F02 800858 Sittkryss Vs Övre 9700+9800 Br40-54 cm (Coxit)
Seatframe 9700+9800 angle adjustment upper section width 40-54

F03 1 800855 Sittkryss Vs Undre 9100/9800 Br40-54 cm (Vuxen)
Seatframe 9100/9800 angle adj. lower section width 40-54

F04 801224 Lagerskruv vinkelställb.
Screw angle adjustable

F05 803005 Stjärnratt Plus M8x40 (Braga gummerad)
Gummed knob PLUS M8x40

G01 1 803070 Sittkryss 9000 Vs -15/+23 gr. Överdel/Underdel Br40-54 Vuxen
Seatframe 9000 adj. angle 15-23° upper/lower width 40-54

2 803071 Sittkryss 9000 Vs -15/+23 gr. Överdel/Underdel Br33-39 Barn
Seatframe 9000 adj. angle 15-23° upper/lower width 33-39

G02 1 802827 Sittkryss 9000 Vs -15/+23 gr. Överdel Br40-54 Vuxen
Seatframe 9000 adj. angle 15/23° upperpart width 40-54

2 802828 Sittkryss 9000 Vs -15/+23 gr. Överdel Br33-39 Barn
Seatframe 9000 adj. angle 15/23° upperpart width 33-39

G03 1 800855 Sittkryss Vs Undre 9100/9800 Br40-54 (Vuxen)
Seatframe 9100/9800 angle adj. lower section width 40-54

2 800856 Sittkryss Vs Undre 9100/9800 Br33-39 (Barn)
Seatframe 9100/9800 angle adj. lower section width 33-39

G04 801224 Lagerskruv vinkelställb.
Screw angle adjustable

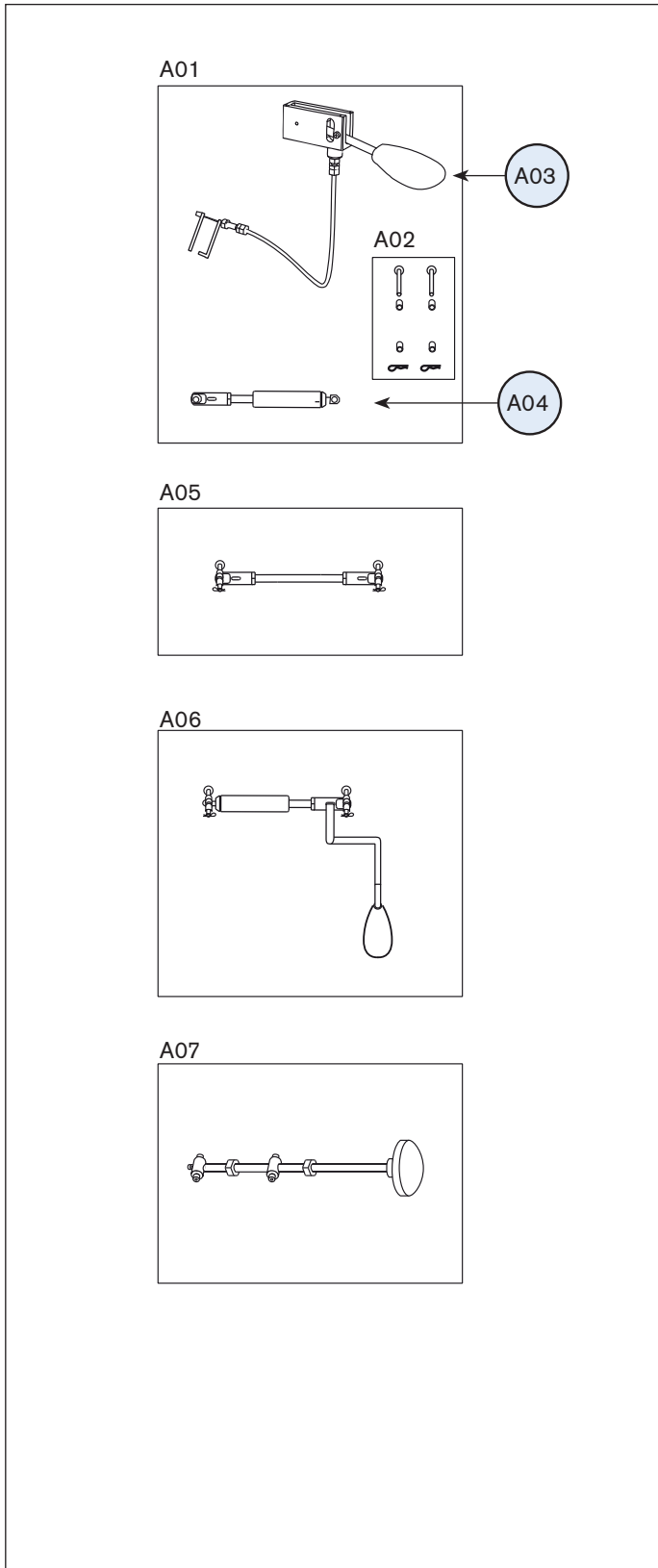
G05 803005 Stjärnratt Plus M8x40 (Braga gummerad)
Gummed knob PLUS M8x40

H01 803268 Skruvsats f monterings av manuell eller el-lyftomat
Screw kit for liftomat assembly or electric liftomat

Stycklista - Reglage för sitsvinkling

Part list - Controls for seat angle adjustment

A



Pos	Art.nr	Benämning
Pos	Art.no	Name
A01	802767	Sitsvinkelreglage PLUS u armstöd inkl gasfjäder <i>Seat angle control PLUS under armrest including gasspring</i>
A02	803508	Cylindriskbult Låsnål Distans för sitsvinklingskolv <i>Cylindrical bolt, locking pin spacer for seat angle piston</i>
A03	803265	Sitsvinkelreglage PLUS u armstöd exklusive gasfjäder <i>Seat angle control excluding gas spring</i>
A04	801145	Gasfjäder 250 N/ 46 mm t Vinkelsits <i>Gasspring 250 N/ 46 mm for seat angle</i>
A05	802236	Sitsvinkelkit Vf f vinkelkryss ersätter vev/gas/elvinkel <i>Seat angle kit for seatframe with fixed angle, replaces crank/gasspring/electric angling</i>
A06	803267	Sitsvinkelreglage PLUS u sits inkl gasfjäder <i>Seat angle control PLUS under seat including gasspring</i>
A07	800829	Vevreglage sitsv. 9000 Komplet sats <i>Handlecontrol seat angle 9000 complete kit</i>

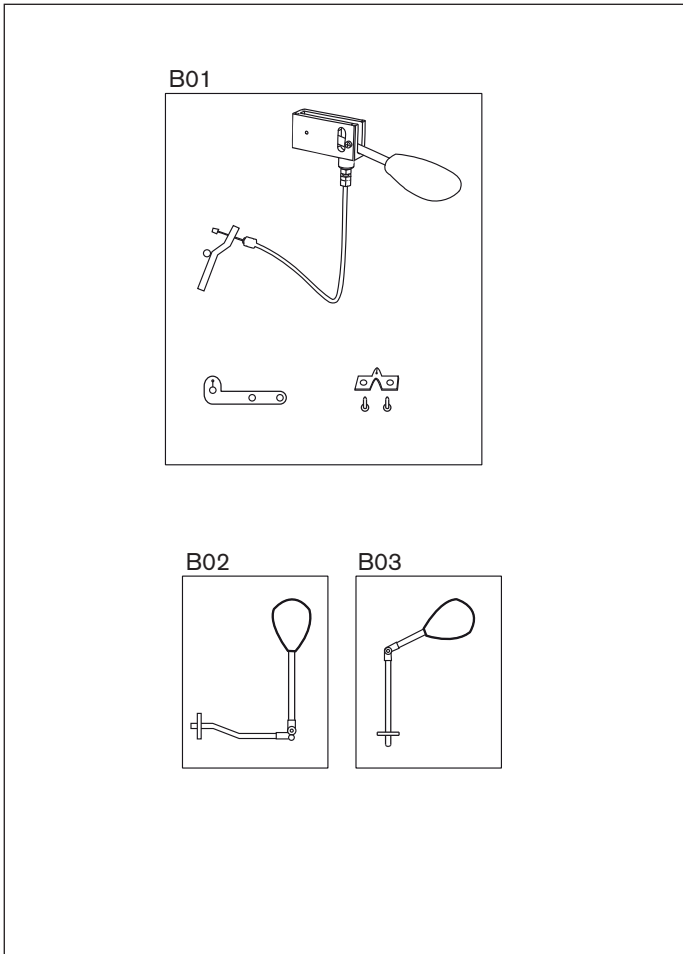
Reglage för elrelgerad sitsvinkling se sid 34

Stycklista - Reglage för sitthöjd

Part list - Controls for seat height

Pos	Art.nr	Benämning
Pos	Art.no	Name

B



B01	1	803116	Sitthöjdsreglage under armstöd f vf i PLUS-utförande <i>Seat height control under armrest for fixed seat angle</i>
	2	803117	Sitthöjdsreglage under armstöd f vs i PLUS-utförande <i>Seat height control under armrest for seat angle adjustment</i>
	3	803506	Sitthöjdsreglage under armstöd f vf/vs i PLUS-utförande <i>Seat height control under armrest for both fixed seat angle and seat angle adjustment</i>

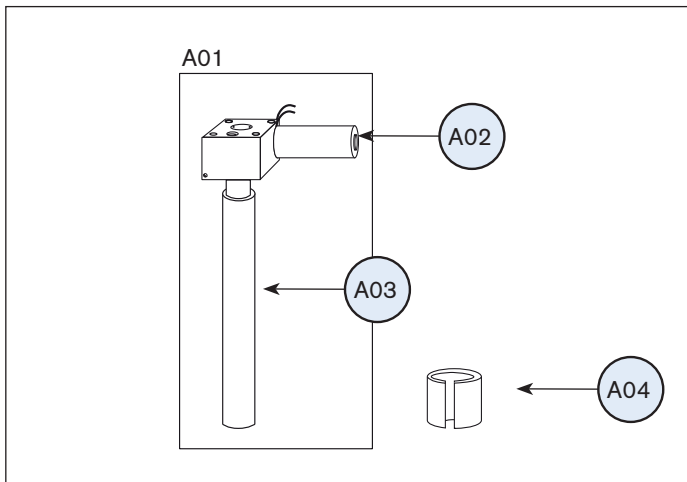
B02	1	802908	Sitthöjdsreglage u sits f Vs 9000 Vuxen PLUS Hö/Vä <i>Seat height control under seat for seat angle adjustment, Adult</i>
	2	803016	Sitthöjdsreglage u sits f Vs 9000 Barn PLUS Hö/Vä <i>Seat height control under seat for seat angle adjustment, Child</i>
	3	803017	Sitthöjdsreglage u sits f Vs 9000 Mini PLUS Hö/Vä <i>Seat height control under seat for seat angle adjustment, Mini</i>

B03	1	802974	Sitthöjdsreglage u sits f Vf 9000 Vuxen PLUS Hö/Vä <i>Seat height control under seat for fixed seat angle, Adult</i>
	2	803033	Sitthöjdsreglage u sits f Vf 9000 Barn PLUS Hö/Vä <i>Seat height control under seat for fixed seat angle, Child</i>

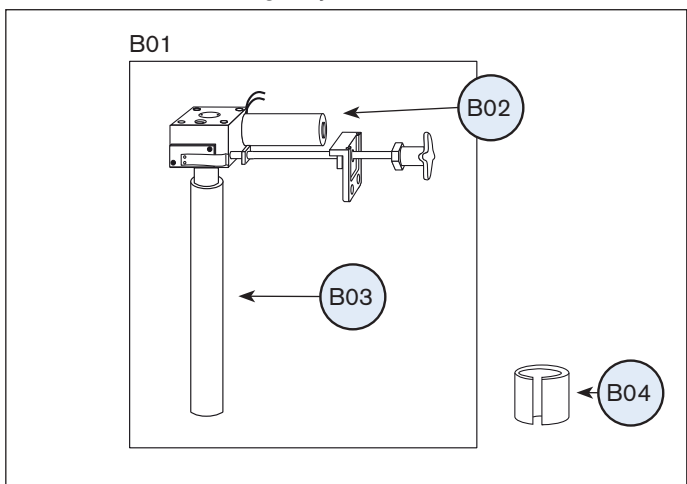
Stycklista - Ellyftomat

Part list - Ellyftomat

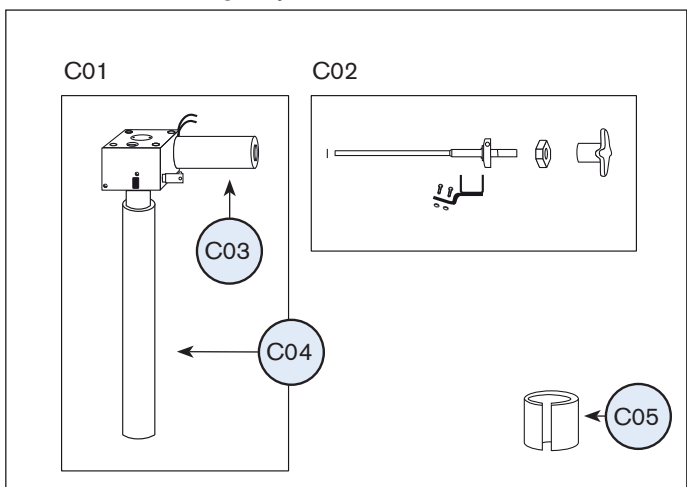
A Utan rotation Without rotation



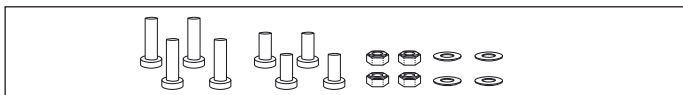
B Rotation för vinkelfast sittkryss Rotation for non angle adjustable seatframe



C Rotation för vinkelställt sittkryss Rotation for angle adjustable seatframe



D01 Skruv sats för lyftomat Screw kit for liftomat assembly



Pos	Art.nr	Benämning
Pos	Art.no	Name
A01	1 801094	Ellyftomat 28 cm Electric height adjustment 28 cm
	2 801106	Ellyftomat 20 cm Electric height adjustment 20 cm
A02	800271	Motor M48x50/I 12Vdc 6400rpm 6400rpm Motor 6400 rpm
A03	1 802524	Ytterrör+Spårrör+Kil linjärstyrning 280 Outer tube+track tube 280
	2 802525	Ytterrör+Spårrör+Kil linjärstyrning 200 Outer tube+track tube 200
A04	801177	Plastinsats för Ellyftomat Klämförbandsinsats Plastic inset for Electric liftomat clamps lining

B01	1 801095	Ellyftomat 28 cm Rotation Höger Electric height adjustment 28 cm Rotation right
	2 801101	Ellyftomat 28 cm Rotation Vänster Electric height adjustment 28 cm Rotation left
	3 801107	Ellyftomat 20 cm Rotation Höger Electric height adjustment 20 cm Rotation right
	4 801114	Ellyftomat 20 cm Rotation Vänster Electric height adjustment 20 cm Rotation left
	5 801110	Ellyftomat 20 cm Rotation Höger t sits 40 cm och < Electric height adjustment 20 cm Rot.right, to seat 40 cm or <
	6 801097	Ellyftomat 20 cm Rotation Vänster t sits 40 cm och < Electric height adjustment 20 cm Rot.left, to seat 40 cm or <
B02	800271	Motor M48x50/I 12Vdc 6400rpm 6400rpm Motor 6400 rpm
B03	1 802839	Ytterrör+Spårrör f rotation + Kil linjärstyrning 280 Outer tube+track tube 280
	2 802840	Ytterrör+Spårrör f rotation + Kil linjärstyrning 200 Outer tube+track tube 280
B04	801177	Plastinsats för Ellyftomat Klämförbandsinsats Plastic inset for Electric liftomat clamps lining

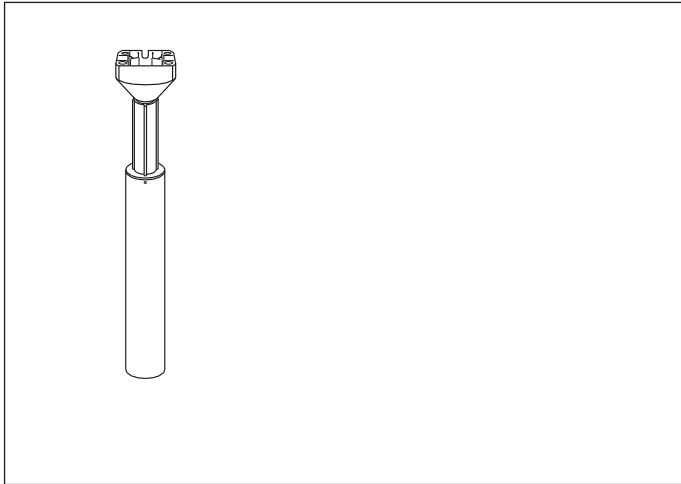
C01	1 801098	Ellyftomat 28 cm Rotation Höger f böjlig axel Electric height adjustment 28 cm Rotation right f flexible axle
	2 801103	Ellyftomat 28 cm Rotation Vänster f böjlig axel Electric height adjustment 28 cm Rotation left f flexible axle
	3 801111	Ellyftomat 20 cm Rotation Höger f böjlig axel Electric height adjustment 20 cm Rotation right f flexible axle
	4 801117	Ellyftomat 20 cm Rotation Vänster f böjlig axel Electric height adjustment 20 cm Rotation left f flexible axle
C02	801133	Axel Rot.spärr Böjlig El- lyftomat kpl Axis bendable
C03	800271	Motor M48x50/I 12Vdc 6400rpm 6400rpm Motor 6400 rpm
C04	1 802839	Ytterrör+Spårrör f rot + Kil linjärstyrning 280 Outer tube+track tube 280
	2 802840	Ytterrör+Spårrör f rot+Kil linjärstyrning 200 Outer tube+track tube 280
C05	801177	Plastinsats för Ellyftomat Klämförbandsinsats Plastic inset for Electric liftomat clamps lining

D01	803268	Skruvsats f montering av manuell eller el-lyftomat Screw kit for liftomat assembly or electric liftomat
-----	--------	--

Stycklista - Fixlyftomat

Part list - Fixlyftomat

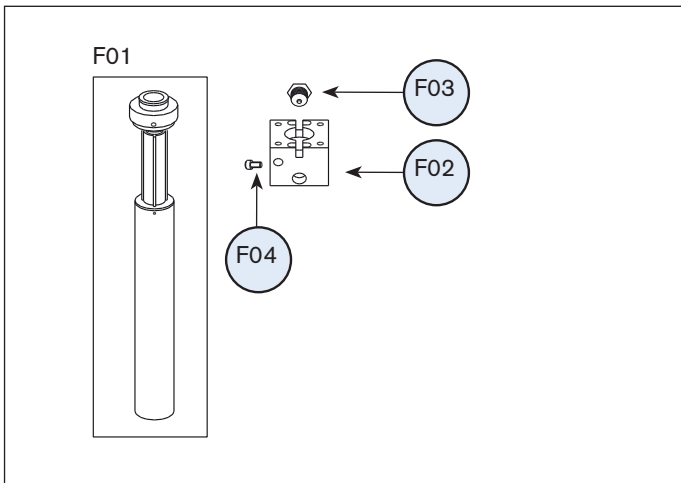
E01 Fixlyftomat
Fixliftomat



Pos Art.nr Benämning
Pos Art.no Name

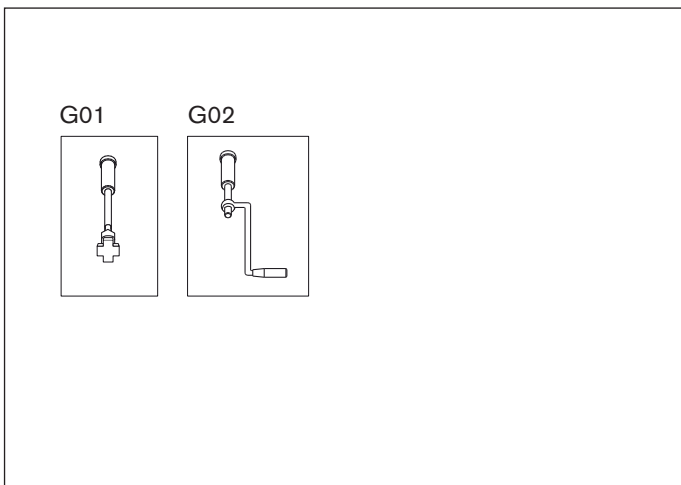
E01	1	801025	Fixlyftomat 200mm 55-90 kg tryck m Alufäste Fixliftomat 200mm 55-90 kg with aluminium grip
	2	801029	Fixlyftomat 200mm <55-90 kg tryck m Alufäste Fixliftomat 200mm <55-90 kg with aluminium grip
	3	801033	Fixlyftomat 200mm 90-130 kg tryck m Alufäste Fixliftomat 200mm 90-130 kg with aluminium grip
	4	801037	Fixlyftomat 140mm 55-90 kg tryck m Alufäste Fixliftomat 140mm 55-90 kg with aluminium grip
	5	801041	Fixlyftomat 140mm <55-90 kg tryck m Alufäste Fixliftomat 140mm <55-90 kg with aluminium grip
	6	801045	Fixlyftomat 140mm 90-130 kg tryck m Alufäste Fixliftomat 140mm 90-130 kg with aluminium grip

F Fixlyftomat med rotation
Fixliftomat with rotation



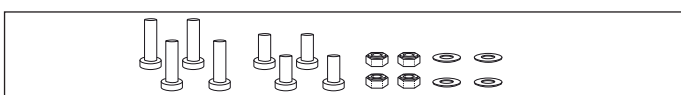
F01	1	801026	Fixlyftomat 200mm 55-90 kg tryck m Rotation Fixliftomat 200mm 55-90 kg with rotation
	2	801030	Fixlyftomat 200mm <55-90 kg tryck m Rotation Fixliftomat 200mm <55-90 kg with rotation
	3	801034	Fixlyftomat 200mm 90-130 kg tryck m Rotation Fixliftomat 200mm 90-130 kg with rotation
	4	801038	Fixlyftomat 140mm 55-90 kg tryck m Rotation Fixliftomat 140mm 55-90 kg with rotation
	5	801042	Fixlyftomat 140mm 200N <55 kg tryck m Rotation Fixliftomat 140mm <55-90 kg with rotation
	6	801046	Fixlyftomat 140mm 90-130 kg tryck m Rotation Fixliftomat 140mm 90-130 kg with rotation
F02		801055	Hus Manuell Vs. std.+rot House
F03		801225	Låsskruv Fixlyft M18x1 Locking screw fixliftomat M18x1
F04		800414	MC6S M5x10 O.B.H 12.9 Insexskruv M5x10 MC6S M5x10 O.B.H 12.9 Insexskruv M5x10

G Spakar för rotation
Levers for rotation



G01	801151	Rotation låsspak t Vf. Sits manuell Rotationlock lever for non adjustable manual seat
G02	801545	Rotation låsspak kpl.Vs. Sits manuell Rotationlock lever for seat angle adjustment. Manual seat

H01 Skruvsats för lyftomat
Screw kit for liftomat assembly

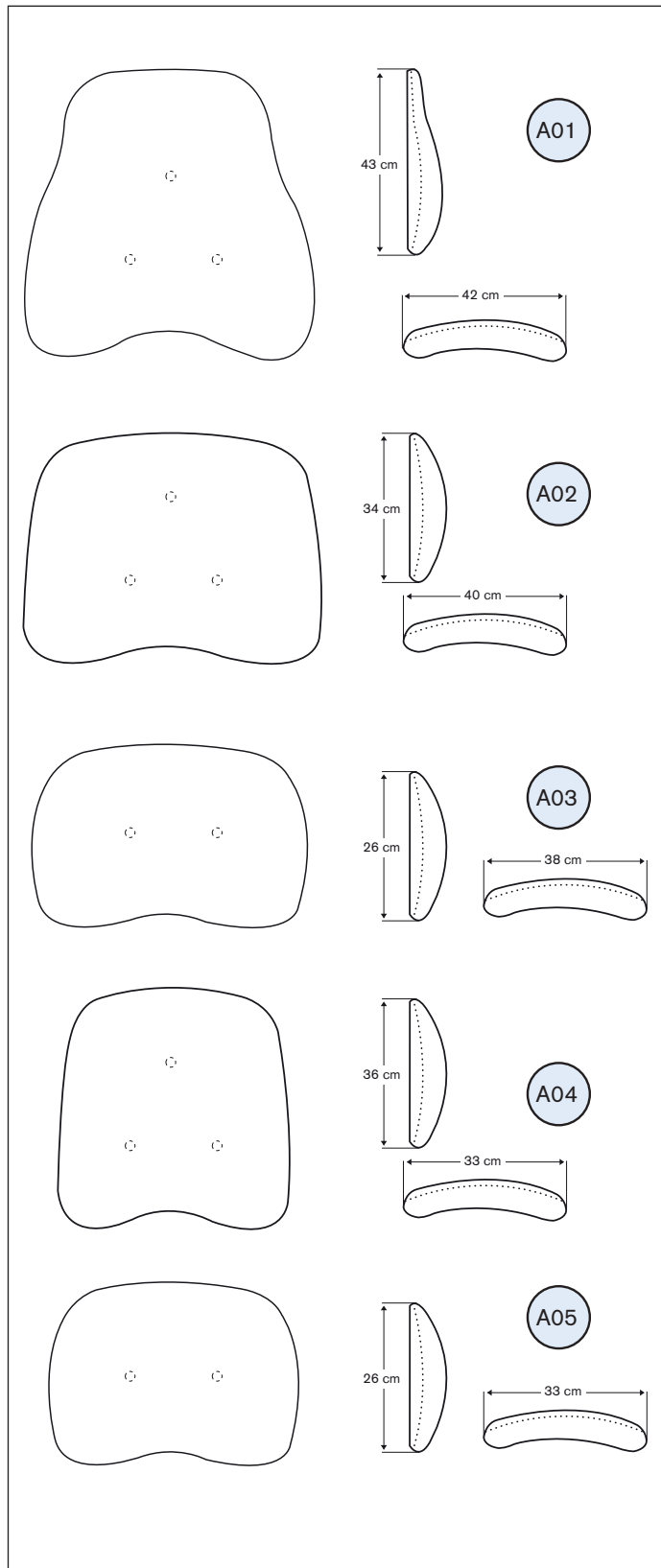


H01	803268	Skruvsats f montering av manuell eller el-lyftomat Screw kit for liftomat assembly or electric liftomat
-----	--------	--

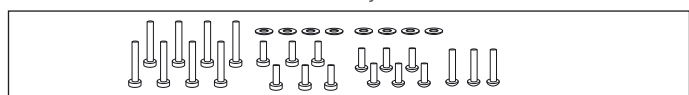
Stycklista - Ryggplatta

Part list - Backrest

A Ryggar ErgoMedic
Backrest ErgoMedic



B01 Skruv sats för montering av rygg och ryggfällning
Screw kit for backrest assembly



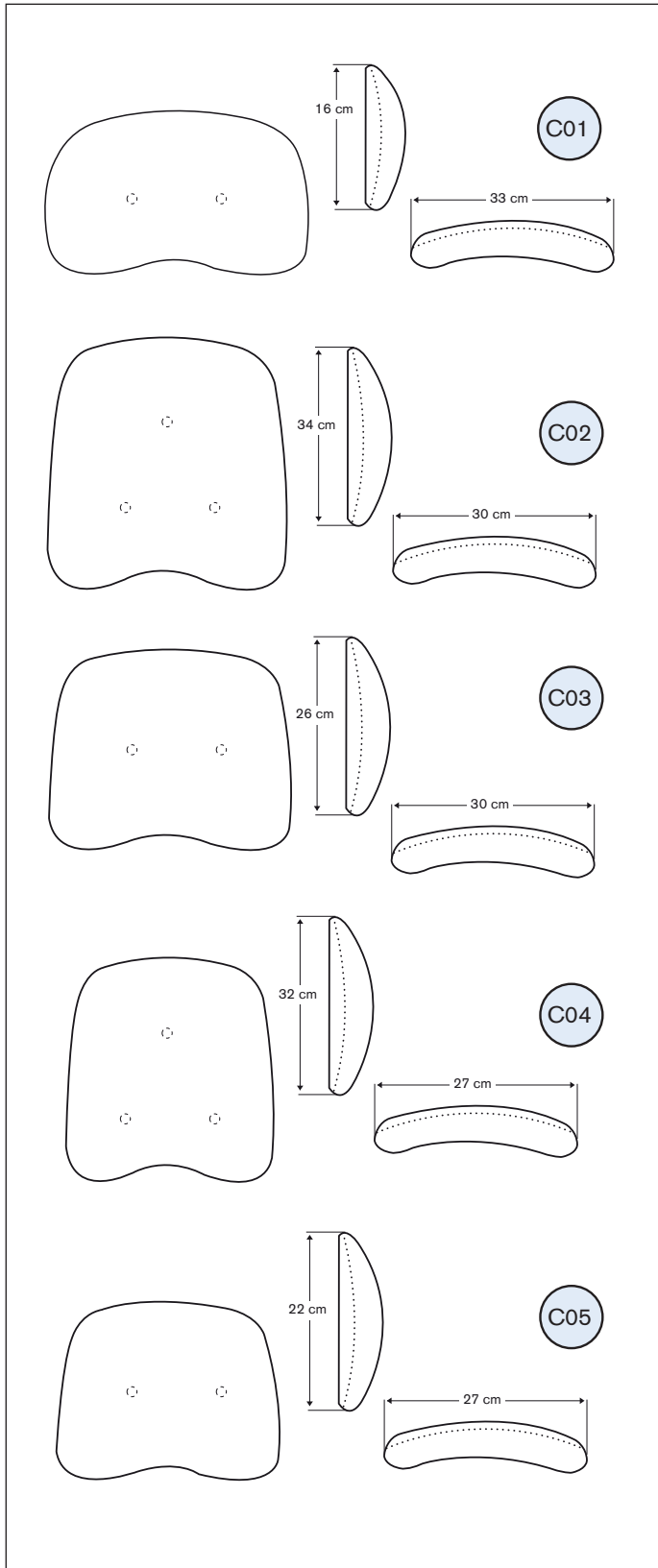
Pos Art.nr Benämning
Pos Art.no Name

A01	1	210468	Rygg ErgoMedic 42x43 Plysch Grå Backrest ErgoMedic 42x43 Plush Grey
	2	215468	Rygg ErgoMedic 42x43 Plysch Grå Slowrec. Back ErgoMedic 42x43 Plush Grey Slowrec.
A02	1	210461	Rygg ErgoMedic 40x34 Plysch Grå Backrest ErgoMedic 40x34 Plush Grey
	2	211461	Rygg ErgoM. f bålstöd 40x34 Plysch Grå Backr. ErgoM. trunks. 40x34 Plush Grey
	3	215461	Rygg ErgoMedic 40x34 Plysch Grå Slowrec. Back ErgoMedic 40x34 Plush Grey Slowrec.
	4	216461	Rygg ErgoM. f bålstöd 40x34 Plysch Grå Slowrec. Backr. ErgoM. trunks. 40x34 Plush Grey Slowrec.
A03	1	210460	Rygg ErgoMedic 38x26 Plysch Grå Backrest ErgoMedic 38x26 Plush Grey
	2	215460	Rygg ErgoMedic 38x26 Plysch Grå Slowrec. Back ErgoMedic 38x26 Plush Grey Slowrec.
A04	1	210463	Rygg ErgoMedic 33x36 Plysch Grå Backrest ErgoMedic 33x36 Plush Grey
	2	215463	Rygg ErgoMedic 33x36 Plysch Grå Slowrec. Back ErgoMedic 33x36 Plush Grey Slowrec.
A05	1	210462	Rygg ErgoMedic 33x26 Plysch Grå Backrest ErgoMedic 33x26 Plush Grey
	2	215462	Rygg ErgoMedic 33x26 Plysch Grå Slowrec. Back ErgoMedic 33x26 Plush Grey Slowrec.
B01		803270	Skrivsats f montering av rygg och ryggfällning Screw kit for backrest assembly

Stycklista - Ryggplatta

Part list - Backrest

C Ryggar ErgoMedic
Backrest ErgoMedic



Pos Art.nr Benämning
Pos Art.no Name

C01 230461 Magplatta/Rygg Classic 33x16 Plysch Grå
Stomach support/Backrest Classic 33x16 Plush Grey

C02 1 210465 Rygg ErgoMedic 30x34 Plysch Grå
Backrest ErgoMedic 30x34 Plush Grey

2 215465 Rygg ErgoMedic 30x34 Plysch Grå Slowrec.
Back ErgoMedic 30x34 Plush Grey Slowrec.

C03 1 210464 Rygg ErgoMedic 30x26 Plysch Grå
Backrest ErgoMedic 30x26 Plush Grey

2 215464 Rygg ErgoMedic 30x26 Plysch Grå Slowrec.
Back ErgoMedic 30x26 Plush Grey Slowrec.

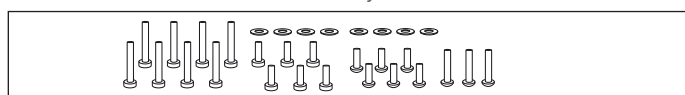
C04 1 210467 Rygg ErgoMedic 27x32 Plysch Grå
Backrest ErgoMedic 27x32 Plush Grey

2 215467 Rygg ErgoMedic 27x32 Plysch Grå Slowrec.
Back ErgoMedic 27x32 Plush Grey Slowrec.

C05 1 210466 Rygg ErgoMedic 27x22 Plysch Grå
Backrest ErgoMedic 27x22 Plush Grey

2 215466 Rygg ErgoMedic 27x22 Plysch Grå Slowrec.
Back ErgoMedic 27x22 Plush Grey Slowrec.

D01 Skruv sats för montering av rygg och ryggfällning
Screw kit for backrest assembly

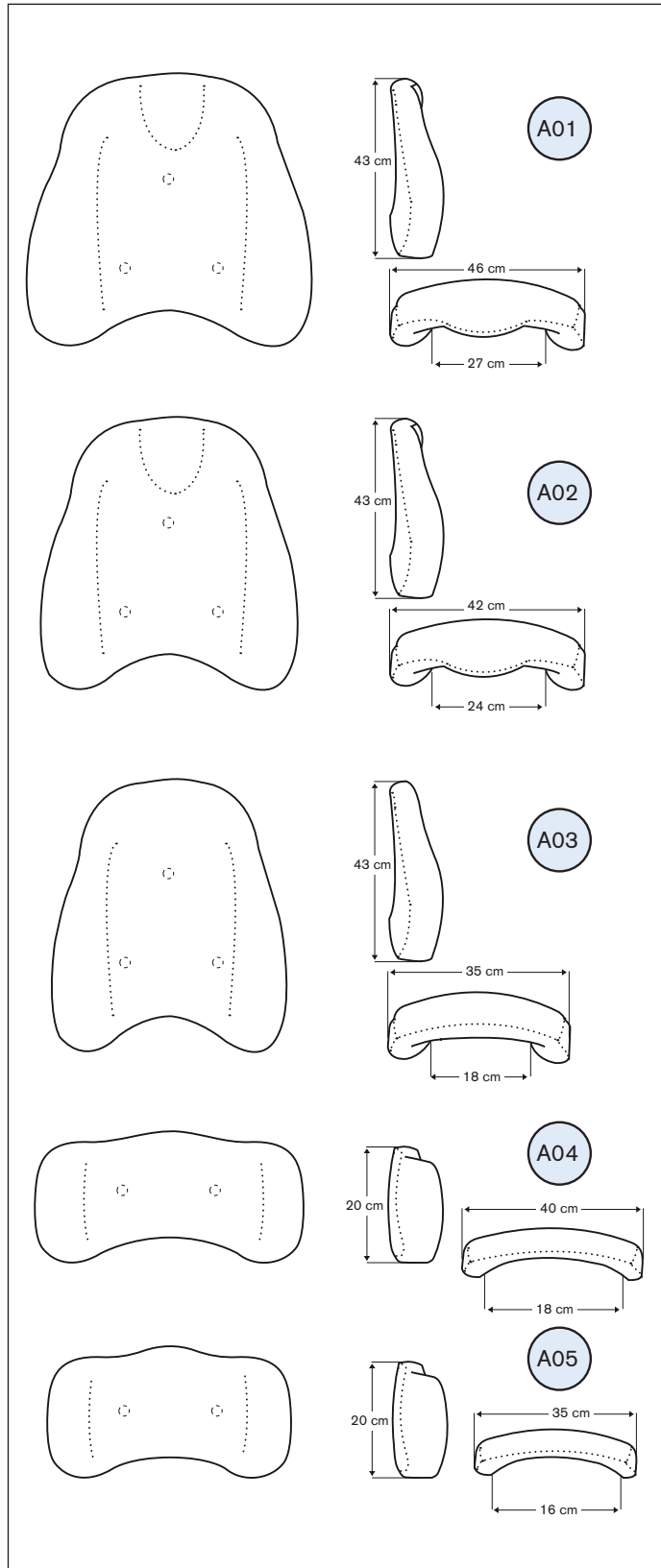


D01 803270 Skruvsats f montering av rygg och ryggfällning
Screw kit for backrest assembly

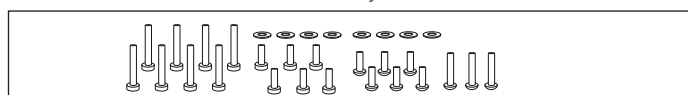
Stycklista - Ryggplatta ErgoMedic PLUS vuxen

Part list - Backrest

A Ryggar ErgoMedic PLUS
Backrest ErgoMedic PLUS



B01 Skruv sats för montering av rygg och ryggfällning
Screw kit for backrest assembly



Pos Art.nr Benämning
Pos Art.no Name

A01 1 251469 Rygg ErgoMedic PLUS 46x43 Plysch Grå
Backrest ErgoMedic PLUS 46x43 Plush Grey
2 256469 Rygg ErgoMedic 46x43 Plysch Grå Slowrec.
Back ErgoMedic 46x43 Plush Grey Slowrec.

A02 1 251468 Rygg ErgoMedic PLUS 42x43 Plysch Grå
Backrest ErgoMedic PLUS 42x43 Plush Grey
2 256468 Rygg ErgoMedic 42x43 Plysch Grå Slowrec.
Back ErgoMedic 42x43 Plush Grey Slowrec.

A03 1 251463 Rygg ErgoMedic PLUS 35x43 Plysch Grå
Backrest ErgoMedic PLUS 35x43 Plush Grey
2 256463 Rygg ErgoMedic 35x43 Plysch Grå Slowrec.
Back ErgoMedic 35x43 Plush Grey Slowrec.

A04 1 251460 Rygg ErgoMedic PLUS 40x20 Plysch Grå
Backrest ErgoMedic PLUS 40x20 Plush Grey
2 256460 Rygg ErgoMedic 40x20 Plysch Grå Slowrec.
Back ErgoMedic 40x20 Plush Grey Slowrec.

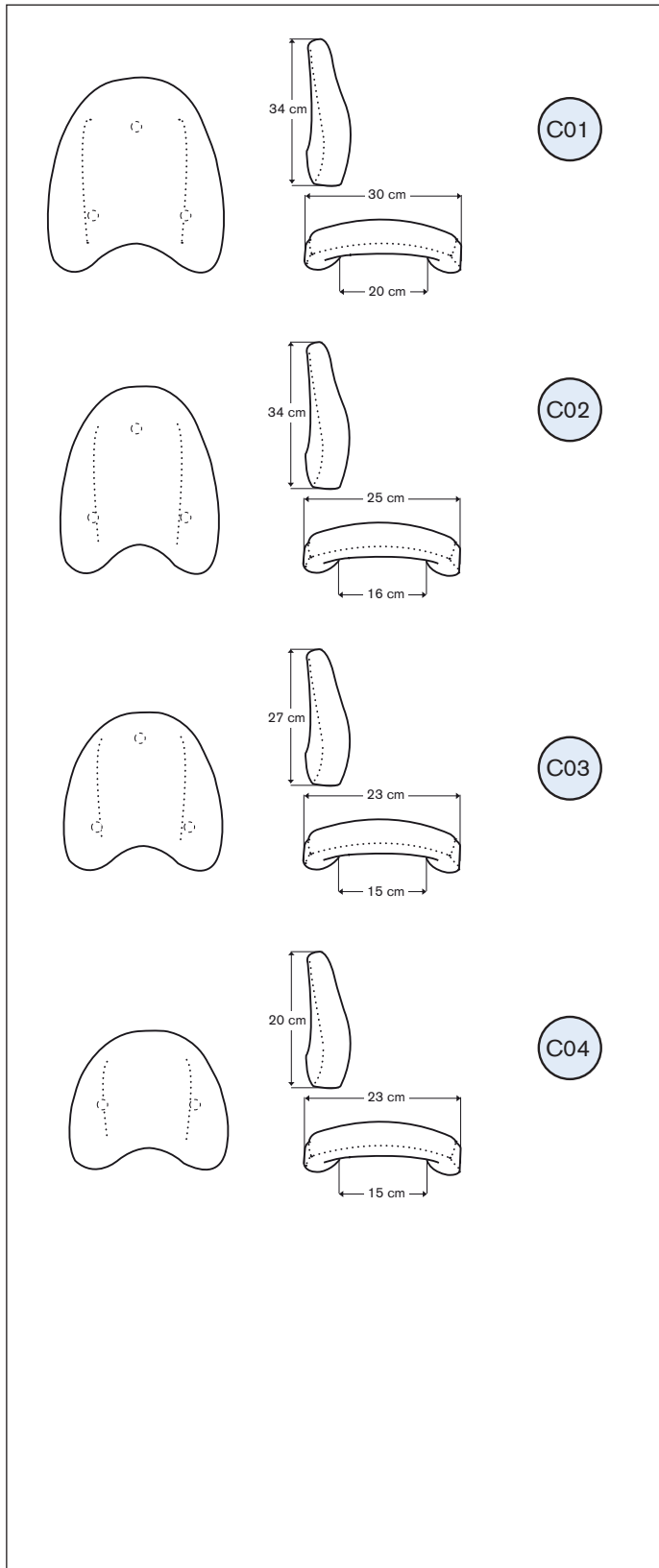
A05 1 251462 Rygg ErgoMedic PLUS 35x20 Plysch Grå
Backrest ErgoMedic PLUS 35x20 Plush Grey
2 256462 Rygg ErgoMedic 35x20 Plysch Grå Slowrec.
Back ErgoMedic 35x20 Plush Grey Slowrec.

B01 803270 Skruvsats f montering av rygg och ryggfällning
Screw kit for backrest assembly

Stycklista - Ryggplatta ErgoMedic PLUS barn

Part list - Backrest

C Ryggar ErgoMedic PLUS Backrest ErgoMedic PLUS



Pos	Art.nr	Benämning
Pos	Art.no	Name
C01 1	251465	Rygg ErgoMedic PLUS 30x34 Plysch Grå Backrest ErgoMedic PLUS 30x34 Plush Grey
2	256465	Rygg ErgoMedic 30x34 Plysch Grå Slowrec. Back ErgoMedic 30x34 Plush Grey Slowrec.

C02 1	251464	Rygg ErgoMedic PLUS 25x34 Plysch Grå Backrest ErgoMedic PLUS 25x34 Plush Grey
2	256464	Rygg ErgoMedic 25x34 Plysch Grå Slowrec. Back ErgoMedic 25x34 Plush Grey Slowrec.

C03 1	253461	Rygg ErgoMedic PLUS 23x27 Plysch Grå Backrest ErgoMedic PLUS 23x27 Plush Grey
-------	--------	--

C04 1	253460	Rygg ErgoMedic PLUS 23x20 Plysch Grå Backrest ErgoMedic PLUS 23x20 Plush Grey
-------	--------	--

D01 Skruv sats för montering av rygg och ryggfällning Screw kit for backrest assembly

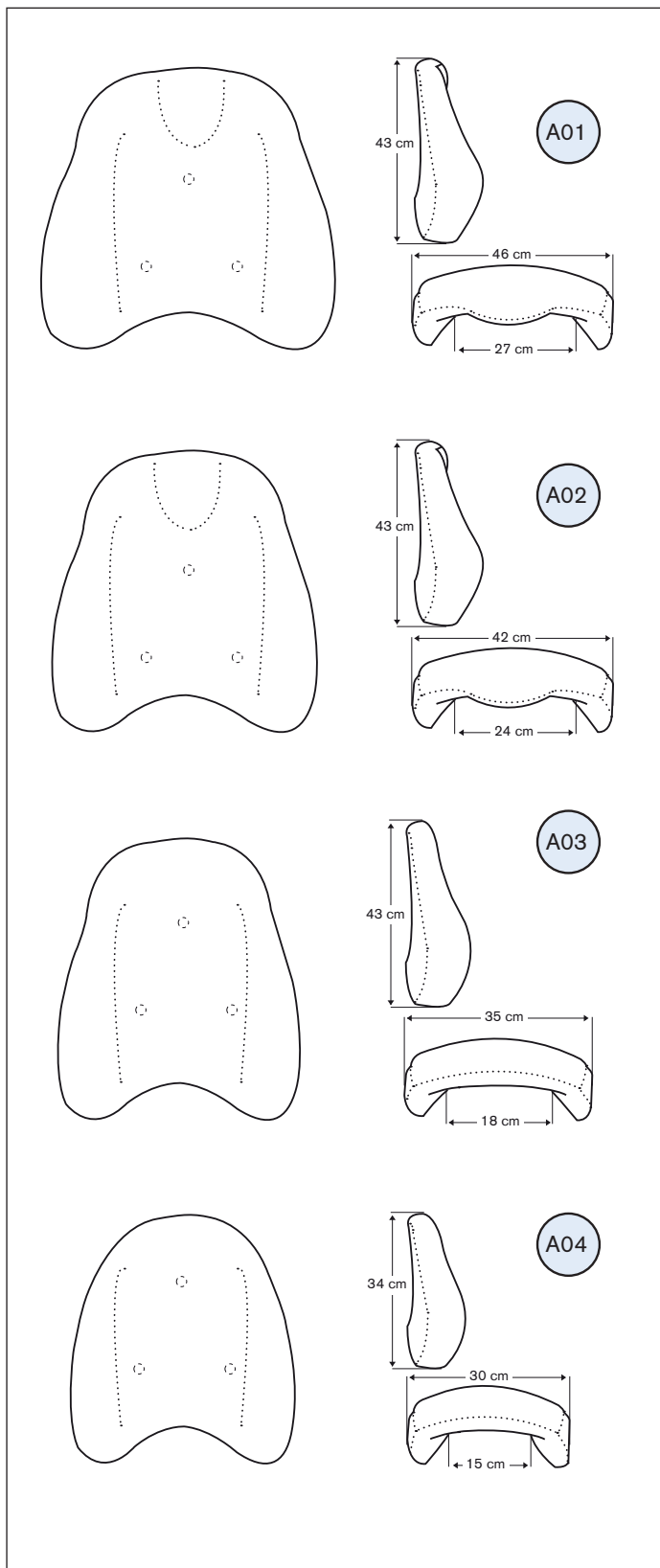


D01	803270	Skrivsats f montering av rygg och ryggfällning Screw kit for backrest assembly
-----	--------	---

Stycklista - Ryggplatta

Part list - Backrest

A Ryggar ErgoMedic PLUS med sidokil
Backrest ErgoMedic PLUS with wedge



B01 Skruv sats för montering av rygg och ryggfällning
Screw kit for backrest assembly



Pos	Art.nr	Benämning
Pos	Art.no	Name

A01	1	252469 Rygg EM PLUS m Sidokil 46x43 Plysch Grå Backrest EM PLUS w sidewedge 46x43 Plush Grey
	2	257469 Rygg EM PLUS med förstärkt Sidokil 46x43 cm Plysch Grå Backrest EM PLUS w reinforced sidewedge 46x43 Plush Grey

A02	1	252468 Rygg EM PLUS m Sidokil 42x43 Plysch Grå Backrest EM PLUS w sidewedge 42x43 Plush Grey
	2	257468 Rygg EM PLUS med förstärkt Sidokil 42x43 cm Plysch Grå Backrest EM PLUS w reinforced sidewedge 42x43 Plush Grey

A03	1	252463 Rygg EM PLUS m Sidokil 35x43 Plysch Grå Backrest EM PLUS w sidewedge 35x43 Plush Grey
	2	257463 Rygg EM PLUS med förstärkt Sidokil 35x43 cm Plysch Grå Backrest EM PLUS w reinforced sidewedge 35x43 Plush Grey

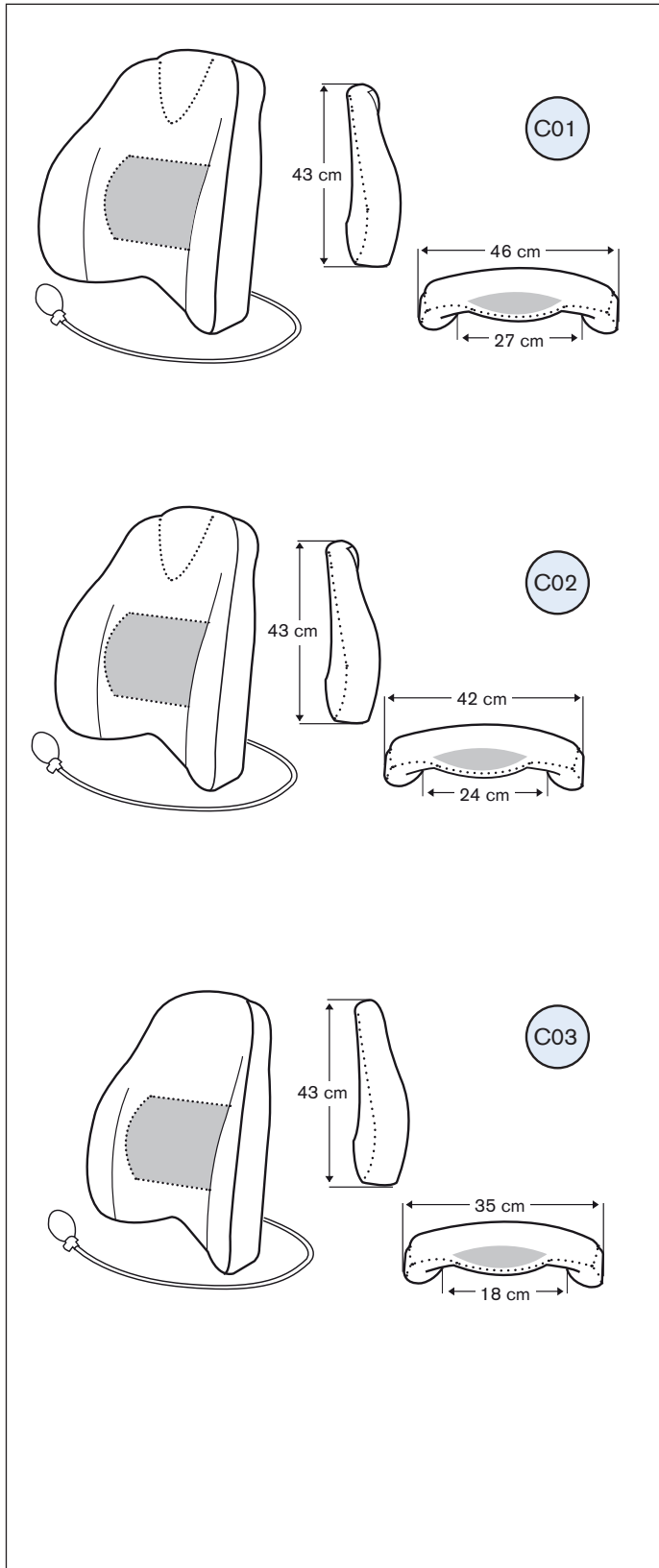
A04	252465 Rygg EM PLUS m Sidokil 30x34 Plysch Grå Backrest EM PLUS w sidewedge 30x34 Plush Grey
-----	---

B01	803270 Skruvsats f montering av rygg och ryggfällning Screw kit for backrest assembly
-----	--

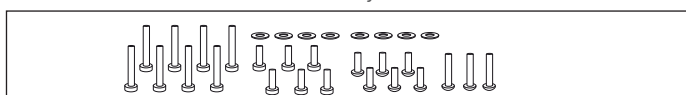
Stycklista - Ryggplatta

Part list - Backrest

C Ryggar ErgoMedic PLUS Comfort
Backrest ErgoMedic PLUS comfort



D01 Skruv sats för montering av rygg och ryggfällning
Screw kit for backrest assembly



Pos Art.nr Benämning
Pos Art.no Name

C01 254469 Rygg ErgoMedic PLUS 46x43 Comfort Plysch Grå
Backrest ErgoMedic PLUS 46x43 Comfort Grey Plush

C02 254468 Rygg ErgoMedic PLUS 42x43 Comfort Plysch Grå
Backrest ErgoMedic PLUS 42x43 Comfort Grey Plush

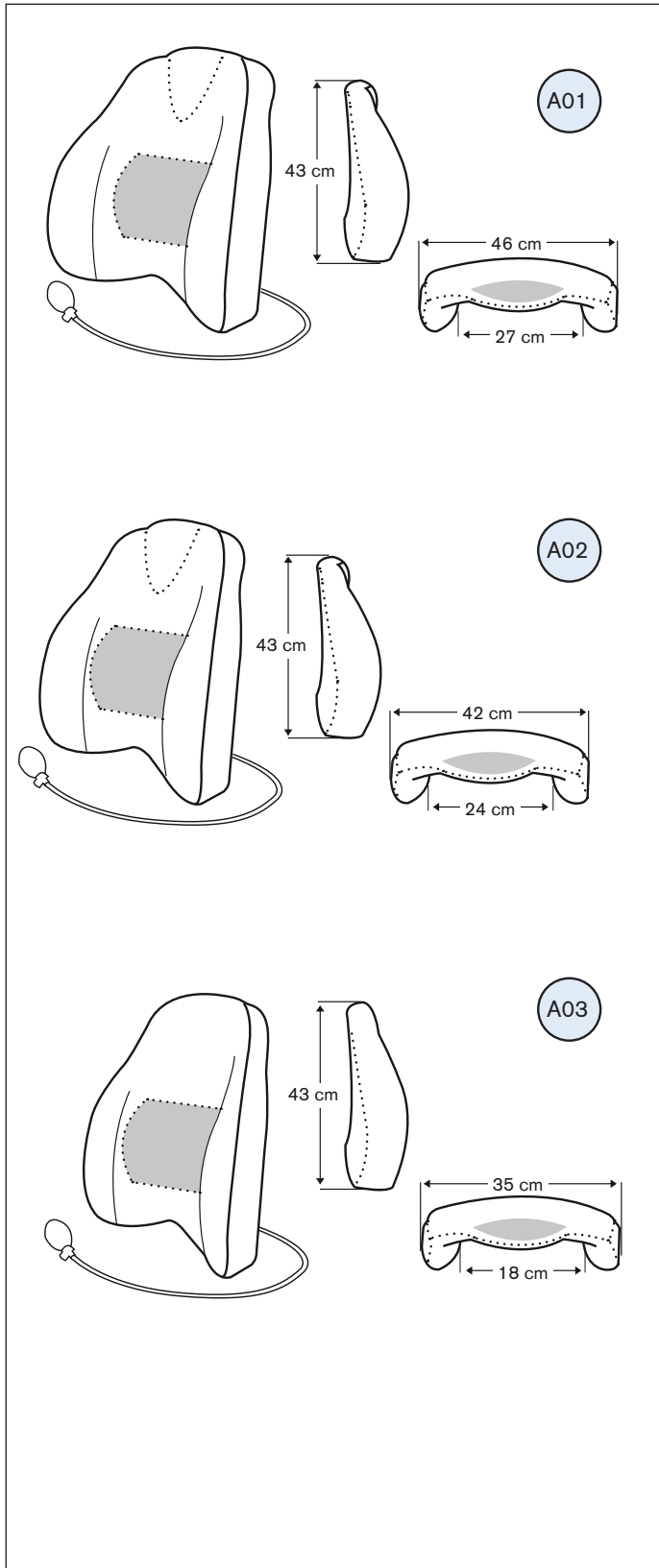
C03 254463 Rygg ErgoMedic PLUS 35x43 Comfort Plysch Grå
Backrest ErgoMedic PLUS 35x43 Comfort Grey Plush

D01 803270 Skruvsats f montering av rygg och ryggfällning
Screw kit for backrest assembly

Stycklista - Ryggplatta

Part list - Backrest

A Ryggar ErgoMedic PLUS Comfort med sidokil
Backrest ErgoMedic PLUS Comfort with wedge



Pos	Art.nr	Benämning
Pos	Art.no	Name

A01	1	255469 Rygg EM PLUS m Sidokil 46x43 Comfort Plysch Grå Backrest EM PLUS w Sidewedge 46x43 Comfort Grey Plush
	2	258469 Rygg EM PLUS med förstärkt Sidokil 46x43 cm Comfort Plysch Grå Backrest EM PLUS w reinforced wedgde Comfort 46x43

A02	1	255468 Rygg EM PLUS m Sidokil 42x43 Comfort Plysch Grå Backrest EM PLUS w Sidewedge 42x43 Comfort Grey Plush
	2	258468 Rygg EM PLUS med förstärkt Sidokil 42x43 cm Comfort Plysch Grå Backrest EM PLUS w reinforced wedgde Comfort 42x43

A03	1	255463 Rygg EM PLUS m Sidokil 35x43 Comfort Plysch Grå Backrest EM PLUS w Sidewedge 35x43 Comfort Grey Plush
	2	258463 Rygg EM PLUS med förstärkt Sidokil 35x43 cm Plysch Grå Backrest EM PLUS w reinforced wedgde Comfort 35x43

B01 Skruv sats för montering av rygg och ryggfällning
Screw kit for backrest assembly

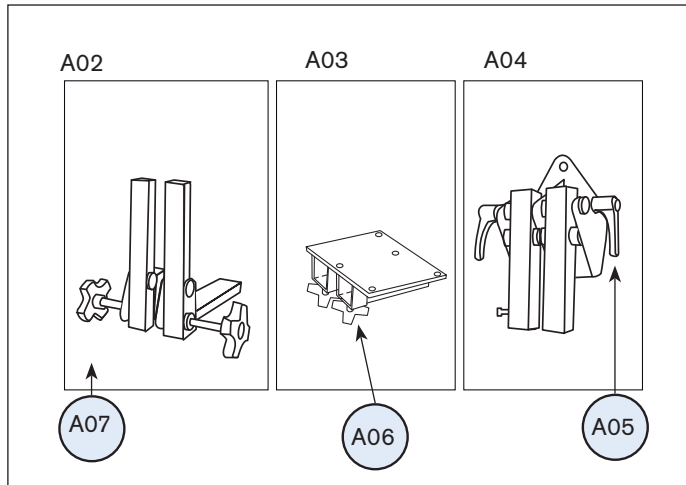


B01	803270 Skruvsats f montering av rygg och ryggfällning Screw kit for backrest assembly
-----	--

Stycklista - Ryggmekanism Dubbel Medic

Part list - Backrest mechanism Double Medic

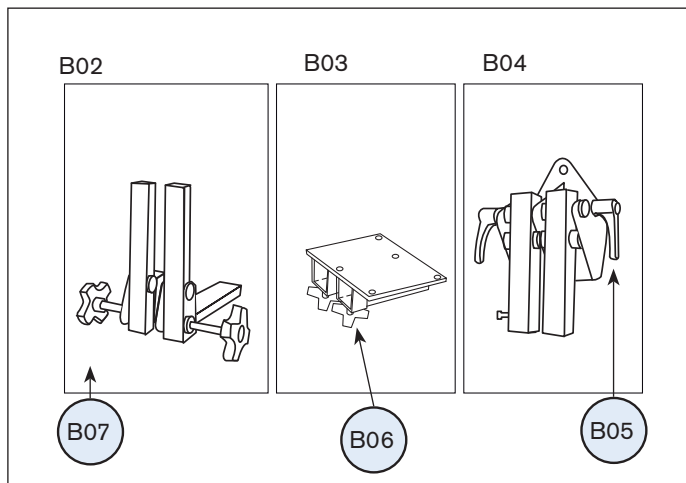
A01 F01 240 x 155 mm (hxd)



Pos	Art.nr	Benämning
Pos	Art.no	Name

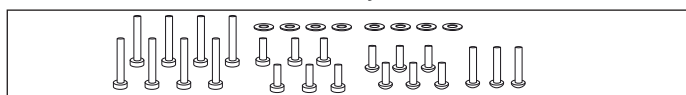
A01	803585	Ryggmekanism Dubbel Medic L DJ 155 Hj 240 Hög rygg <i>Backrest adjustment Double Medic 240 mm high back</i>
A02	801082	Ryggfällning Medic 155mm L Cla/ErgoM (Övrerör 240mm) <i>Backrestmeca. Medic 155 mm L</i>
A03	802859	Ryggfällning fäste Medic Dubbel ryggfällning <i>Backrestmecanism Double Medic hold</i>
A04	802860	Ryggstolpe Medic Dubbel ryggfälln plats f nackstöd <i>Back pole Double Medic</i>
A05	803006	Låsspak PLUS M8 (braga gummerad) <i>Gummed handle M8 PLUS</i>
A06	803004	Stjärnratt PLUS M8x20 (braga gummerad) <i>Gummed knob M8x20 PLUS</i>
A07	803007	Stjärnratt PLUS M8x1 special (braga gummerad) <i>Gummed knob M8x1</i>

B01 F01 340 x 155 mm (hxd)



B01	803586	Ryggmekanism Dubbel Medic XL DJ 155 Hj 340 Hög rygg <i>Backrest adjustment Double Medic 340 mm high back</i>
B02	801084	Ryggfällning Medic 155mm XL Cla/ErgoM (Övrerör 340mm) <i>Backrestmeca. Medic 155 mm XL</i>
B03	802859	Ryggfällning fäste Medic Dubbel ryggfällning <i>Backrestmecanism Double Medic hold</i>
B04	802860	Ryggstolpe Medic Dubbel ryggfälln plats f nackstöd <i>Back pole Double Medic</i>
B05	803006	Låsspak PLUS M8 (braga gummerad) <i>Gummed handle M8 PLUS</i>
B06	803004	Stjärnratt PLUS M8x20 (braga gummerad) <i>Gummed knob M8x20 PLUS</i>
B07	803007	Stjärnratt PLUS M8x1 special (braga gummerad) <i>Gummed knob M8x1</i>

C01 Skruv sats för montering av rygg och ryggfällning
Screw kit for backrest assembly

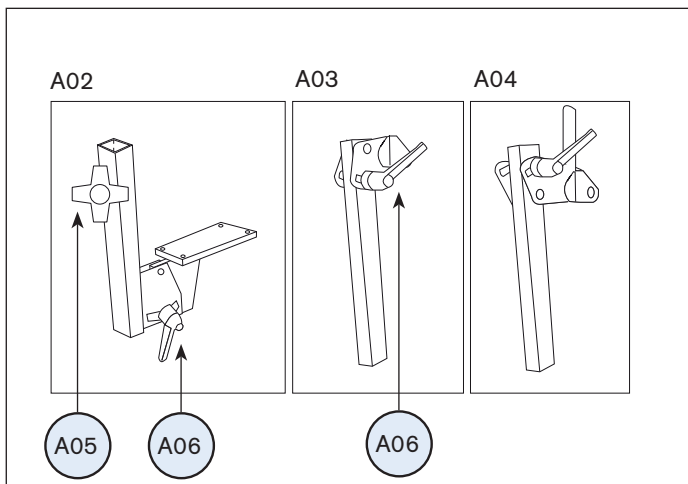


F01	803270	Skruvsats f montering av rygg och ryggfällning <i>Screw kit for backrest assembly</i>
-----	--------	--

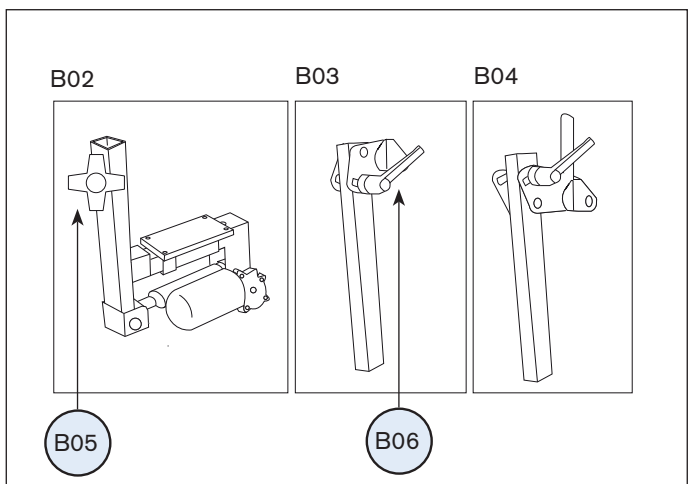
Stycklista - Ryggmekanism Standard, EL & Comfort

Part list - Backrest mechanism

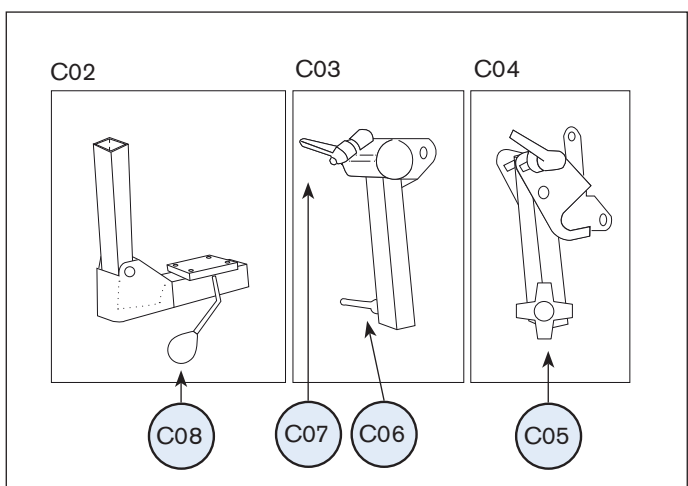
A01 Standard ErgoMedic Standard ErgoMedic



B01 EL Electric



C01 Comfort Comfort



D01 Skruv sats för montering av rygg och ryggfällning Screw kit for backrest assembly

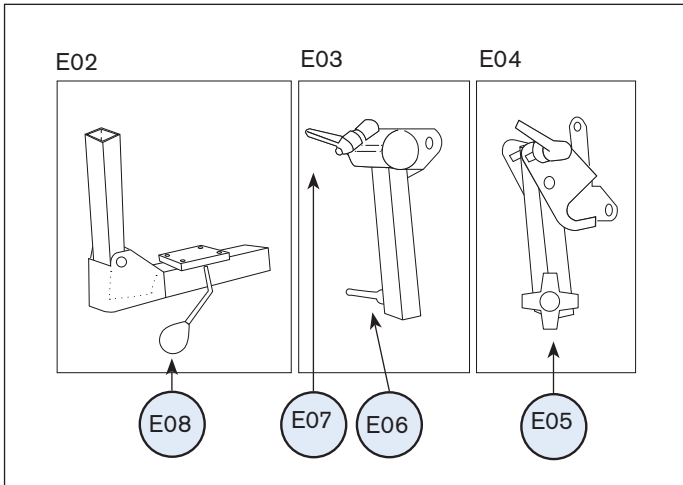


Pos	Art.nr	Benämning
Pos	Art.no	Name
A01 1	801748	Ryggmekanism Standard ErgoMedic Låg rygg Backrest adjustment Standard ErgoMedic Low back
2	801747	Ryggmekanism Standard ErgoMedic Hög rygg Backrest adjustment Standard ErgoMedic High back
A02	800842	Ryggfällning Std. Cla/ErgoM Backrest mechanism Std.Cla/ErgoM
A03	801265	Ryggstolpe Standard. ErgoMedic Låg rygg Back pole Std Cla/ ErgoMedic Low back
A04	800841	Ryggstolpe Standard ErgoMedic Hög rygg Back pole Standard ErgoMedic High back
A05	803004	Stjärnratt Plus M8x20 (braga gummerad) Gummed knob M8x20 PLUS
A06	803006	Låsspak Plus M8 (inv gänga) (braga gummerad) Gummed handle M8 PLUS
B01 1	801300	Ryggmekanism EL Låg rygg Electric backrest adjustment Low back
2	801817	Ryggmekanism EL Hög rygg Electric backrest adjustment High back
B02	802731	Eldonssats f ryggvinkel f reläkort Real 9000 Electric kit f. backrest angle
B03	801265	Ryggstolpe Std. ErgoM Låg rygg Back pole Std Cla/ Ergo Medic Low back
B04	800841	Ryggstolpe Std. ErgoM Hög rygg Back pole Std. Ergo Medic High back
B05	803004	Stjärnratt Plus M8x20 (braga gummerad) Gummed knob M8x20 PLUS
B06	803006	Låsspak Plus M8 (inv gänga) (braga gummerad) Gummed handle M8 PLUS
Se sid 34 för reglage		
C01 1	801743	Ryggmekanism Comfort ErgoM Grund Låg rygg Back adjustment Comfort ErgoM Shallow Low back
2	801742	Ryggmekanism Comfort ErgoM Grund Hög rygg Back adjustment Comfort ErgoM Shallow High back
C02	801770	Ryggfällning Comfort ErgoM Gru 350 N Grunt sittedj Backrestmechanism Comfort ErgoM350N shallowed seatdeep
C03	801088	Ryggstolpe Medic/Comfort ErgoM Låg rygg Back pole Medic/Comfort ErgoM Low back
C04	801737	Ryggstolpe Medic/Comfort ErgoM Hög rygg Back pole Medic/Comfort ErgoM High back
C05	803004	Stjärnratt Plus M8x20 (braga gummerad) Plastic knob Plus M8x20
C06	803012	Låsspak Plus M6x10 (braga gummerad) Gummed handle M6x10 PLUS
C07	803013	Låsspak Plus M6x20 (braga gummerad) Gummed handle M6x20 PLUS
C08	803011	Spak till Comfortryggmekanism Plus Lever for backrest mechanism Comfort PLUS
D01	803270	Skrivsats för montering av rygg och ryggfällning Screw kit for backrest assembly

Stycklista - Ryggmekanism Comfort Coxit

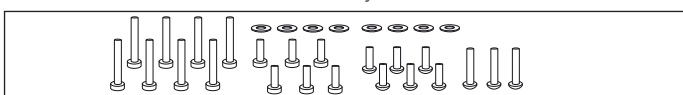
Part list - Backrest mechanism

E01 Comfort Coxit
Comfort Coxit



Pos	Art.nr	Benämning
Pos	Art.no	Name
E01 1	801745	Ryggmekanism Comfort ErgoMedic Djup Låg rygg <i>Backrest adjustment Comfort ErgoMedic Depth Low back</i>
2	801744	Ryggmekanism Comfort ErgoMedic Djup Hög rygg <i>Backrest adjustment Comfort ErgoMedic Depth High back</i>
E02	801770	Ryggfällning Comfort ErgoMedic Grund 350 N Grunt sittdjup <i>Backrest mechanism Comfort ErgoM350N shallowed seatdeep</i>
E03	801088	Ryggstolpe Medic/Comfort ErgoMedic Låg rygg <i>Back pole Medic/Comfort ErgoMedic Low back</i>
E04	801737	Ryggstolpe Medic/Comfort ErgoMedic Hög rygg <i>Back pole Medic/Comfort ErgoMedic High back</i>
E05	803004	Stjärnratt Plus M8x20 (braga gummerad) <i>Plastic knob Plus M8x20</i>
E06	803012	Låsspak Plus M6x10 (braga gummerad) <i>Gummed handle M6x10 PLUS</i>
E07	803013	Låsspak Plus M6x20 (braga gummerad) <i>Gummed handle M6x20 PLUS</i>
E08	803011	Spak till Comfortryggmekanism Plus <i>Lever for backrest mechanism Comfort PLUS</i>

F01 Skruv sats för montering av rygg och ryggfällning
Screw kit for backrest assembly

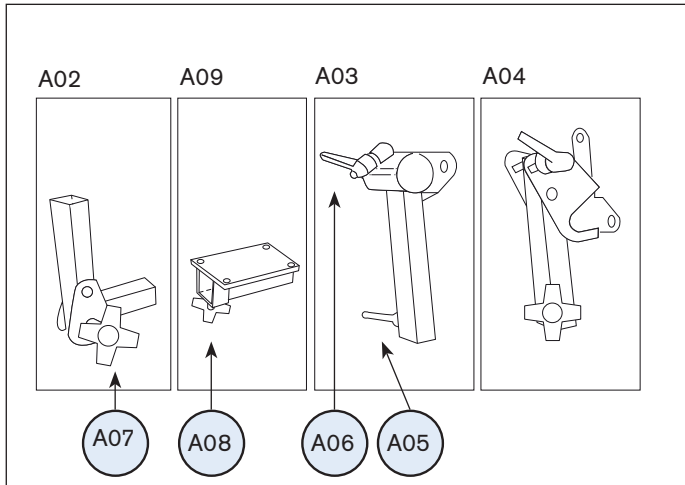


F01 803270 Skruvsats f montering av rygg och ryggfällning
Screw kit for backrest assembly

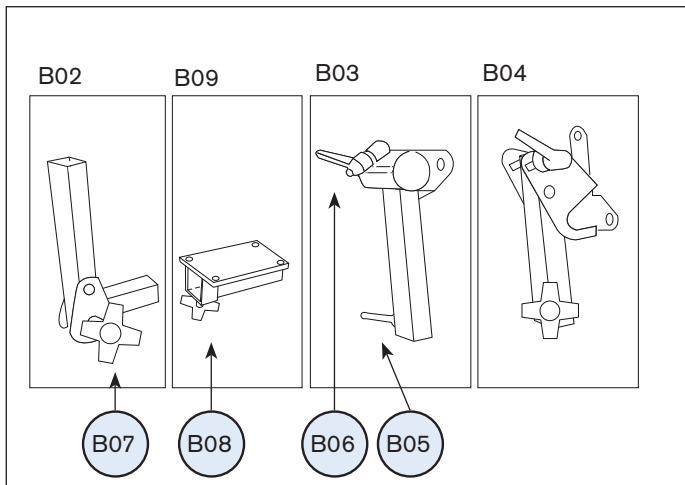
Stycklista - Ryggmekanism Medic 112 Rygg

Part list - Backrest mechanism

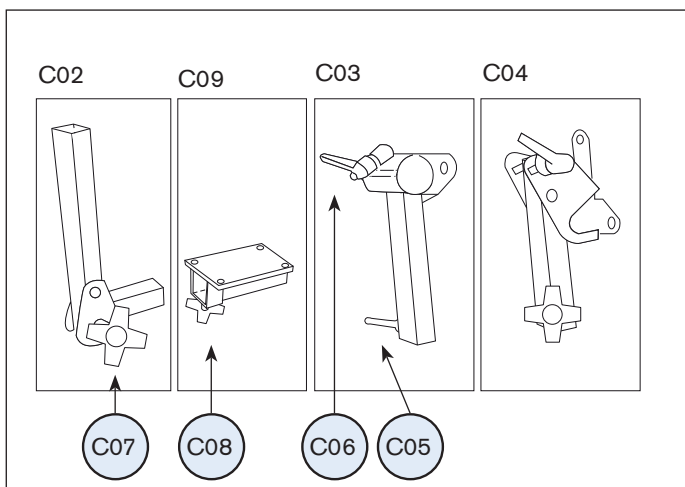
A01 200 x 112 mm (hxd)



B01 240 x 112 mm (hxd)



C01 340 x 112 mm (hxd)



D01 Skruv sats för montering av rygg och ryggfällning
Screw kit for backrest assembly



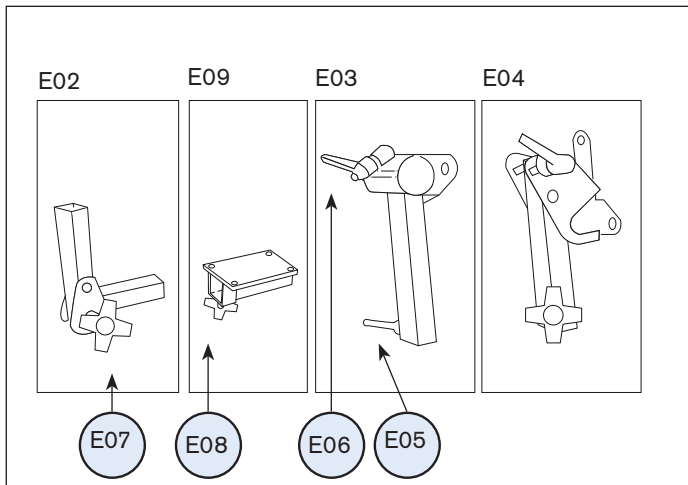
Pos	Art.nr	Benämning
Pos	Art.no	Name
A01 1	801930	Ryggmekanism Medic ErgoMedic S 112 Låg rygg Backrest adjustment Medic ErgoMedic S Low back 112 mm
2	801932	Ryggmekanism Medic ErgoMedic S 112 Hög rygg Backrest adjustment Medic ErgoMedic S High back 112 mm
A02	801923	Ryggfällning Medic 112mm S Cla/ErgoM 200mm Backrest mechanism Medic 112 mm S Cla/ErgoM 200 mm
A03	801928	Ryggstolpe Medic ErgoM S Låg rygg Back pole ErgoM S
A04	801737	Ryggstolpe Medic/Comfort ErgoMedic Hög rygg Back pole Medic/Comfort ErgoMedic High back
A05	803012	Låsspak PLUS M6x10 (braga gummerad) Gummed handle M6x10 PLUS
A06	803013	Låsspak PLUS M6x20 (braga gummerad) Gummed handle M6x20 PLUS
A07	803007	Stjärnratt PLUS M8x1 special (braga gummerad) Gummed knob M8x1
A08	803004	Stjärnratt PLUS M8x20 (braga gummerad) Gummed knob M8x20 PLUS
A09	800837	Ryggfällning fäste Medic Cla/ErgoM Backrestmechanism Medic hold
B01 1	801739	Ryggmekanism Medic ErgoMedic L 112 Låg rygg Backrest adjustment Medic ErgoMedic L Low back 112 mm
2	801741	Ryggmekanism Medic ErgoMedic L 112 Hög rygg Backrest adjustment Medic ErgoMedic L High back 112 mm
B02	801083	Ryggfällning Medic 112mm L Cla/ErgoM 240mm Backrest mechanism Medic 112 mm L Cla/ErgoM 240 mm
B03	801088	Ryggstolpe Medic/Comfort ErgoMedic Låg rygg Back pole Medic/Comfort ErgoMedic Low back
B04	801737	Ryggstolpe Medic/Comfort ErgoMedic Hög rygg Back pole Medic/Comfort ErgoMedic High back
B05	803012	Låsspak PLUS M6x10 (braga gummerad) Gummed handle M6x10 PLUS
B06	803013	Låsspak PLUS M6x20 (braga gummerad) Gummed handle M6x20 PLUS
B07	803007	Stjärnratt PLUS M8x1 special (braga gummerad) Gummed knob M8x1
B08	803004	Stjärnratt PLUS M8x20 (braga gummerad) Gummed knob M8x20 PLUS
B09	800837	Ryggfällning fäste Medic Cla/ErgoM Backrestmechanism Medic hold
C01 1	801934	Ryggmekanism Medic ErgoMedic XL 112 Låg rygg Backrest adjustment Medic ErgoMedic XL Low back 112 mm
2	801936	Ryggmekanism Medic ErgoMedic XL 112 Hög rygg Backrest adjustment Medic ErgoMedic XL High back 112 mm
C02	801085	Ryggfällning Medic 112mm XL Cla/ErgoM 340mm Backrest mechanism Medic 112 mm XL Cla/ErgoM 340 mm
C03	801088	Ryggstolpe Medic/Comfort ErgoMedic Låg rygg Back pole Medic/Comfort ErgoMedic Low back
C04	801737	Ryggstolpe Medic/Comfort ErgoMedic Hög rygg Back pole Medic/Comfort ErgoMedic High back
C05	803012	Låsspak PLUS M6x10 (braga gummerad) Gummed handle M6x10 PLUS
C06	803013	Låsspak PLUS M6x20 (braga gummerad) Gummed handle M6x20 PLUS
C07	803007	Stjärnratt PLUS M8x1 special (braga gummerad) Gummed knob M8x1
C08	803004	Stjärnratt PLUS M8x20 (braga gummerad) Gummed knob M8x20 PLUS
C09	800837	Ryggfällning fäste Medic Cla/ErgoM Backrestmechanism Medic hold
D01	803270	Skruvsats f montering av rygg och ryggfällning Screw kit for backrest assembly

Stycklista - Ryggmekanism Medic 155 Rygg

Part list - Backrest mechanism

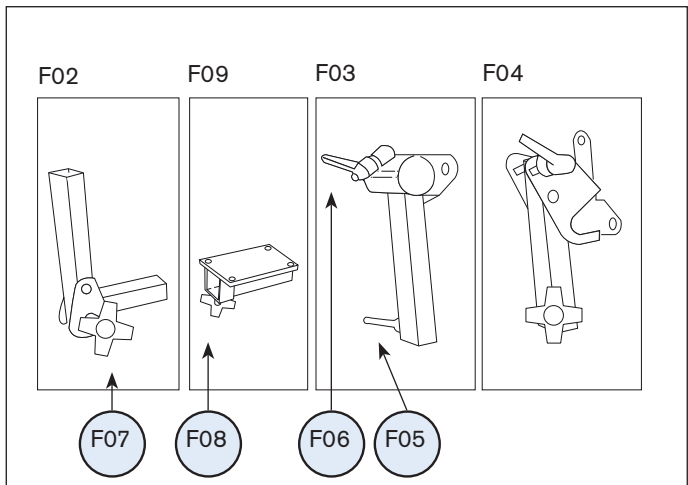
Pos Art.nr Benämning
Pos Art.no Name

E01 200 x 155 mm (hxd)



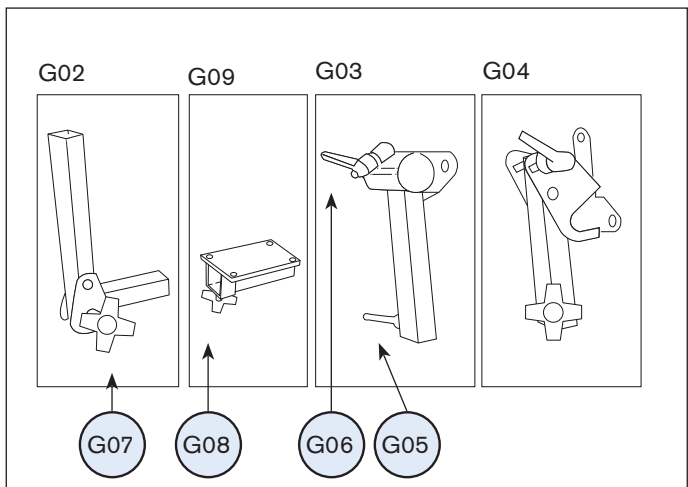
- E01 1 [801929](#) Ryggmekanism Medic ErgoMedic S 155 Låg rygg
Backrest adjustment Medic ErgoM S Low back 155 mm
- E01 2 [801931](#) Ryggmekanism Medic ErgoMedic S 155 Hög rygg
Backrest adjustment Medic ErgoM S High back 155 mm
- E02 [801922](#) Ryggfällning Medic 155mm S Cla/ErgoM 200mm
Backrest mechanism Medic 155 mm S Cla/ErgoM 200 mm
- E03 [801928](#) Ryggstolpe Medic ErgoM S Låg rygg
Back pole ErgoM S
- E03 [801737](#) Ryggstolpe Medic/Comfort ErgoMedic Hög rygg
Back pole Medic/Comfort ErgoM High back
- E05 [803012](#) Låsspak PLUS M6x10 (braga gummerad)
Gummed handle M6x10 PLUS
- E06 [803013](#) Låsspak PLUS M6x20 (braga gummerad)
Gummed handle M6x20 PLUS
- E07 [803007](#) Stjärnratt PLUS M8x1 special (braga gummerad)
Gummed knob M8x1
- E08 [803004](#) Stjärnratt PLUS M8x20 (braga gummerad)
Gummed knob M8x20 PLUS
- E09 [800837](#) Ryggfällning fäste Medic Cla/ErgoM
Backrestmechanism Medic hold

F01 240 x 155 mm (hxd)



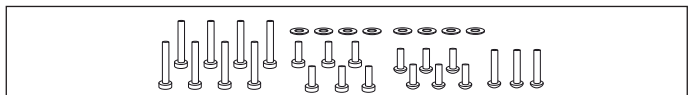
- F01 1 [801738](#) Ryggmekanism Medic ErgoMedic L 155 Låg rygg
Backrest adjustment Medic ErgoMedic L Low back 155 mm
- F01 2 [801740](#) Ryggmekanism Medic ErgoMedic L 155 Hög rygg
Backrest adjustment Medic ErgoMedic L High back 155 mm
- F02 [801082](#) Ryggfällning Medic 155mm L Cla/ErgoM 240mm
Backrest mechanism Medic 155 mm L Cla/ErgoM 240 mm
- F03 [801088](#) Ryggstolpe Medic/Comfort ErgoMedic Låg rygg
Back pole Medic/Comfort ErgoMedic L Low back
- F04 [801737](#) Ryggstolpe Medic/Comfort ErgoMedic Hög rygg
Back pole Medic/Comfort ErgoM High back
- F05 [803012](#) Låsspak PLUS M6x10 (braga gummerad)
Gummed handle M6x10 PLUS
- F06 [803013](#) Låsspak PLUS M6x20 (braga gummerad)
Gummed handle M6x20 PLUS
- F07 [803007](#) Stjärnratt PLUS M8x1 special (braga gummerad)
Gummed knob M8x1
- F08 [803004](#) Stjärnratt PLUS M8x20 (braga gummerad)
Gummed knob M8x20 PLUS
- F09 [800837](#) Ryggfällning fäste Medic Cla/ErgoM
Backrestmechanism Medic hold

G01 340 x 155 mm (hxd)



- G01 1 [801933](#) Ryggmekanism Medic ErgoM XL 155 Låg rygg
Backrest adjustment Medic ErgoM XL Low back 155 mm
- G01 2 [801935](#) Ryggmekanism Medic ErgoM XL 155 Hög rygg
Backrest adjustment Medic ErgoM XL High back 155 mm
- G02 [801084](#) Ryggfällning Medic 155mm XL Cla/ErgoM 340mm
Backrest mechanism Medic 155 mm XL Cla/ErgoM 340 mm
- G03 [801088](#) Ryggstolpe Medic/Comfort ErgoM Låg rygg
Back pole Medic/Comfort ErgoML Low back
- G04 [801737](#) Ryggstolpe Medic/Comfort ErgoM Hög rygg
Back pole Medic/Comfort ErgoM High back
- G05 [803012](#) Låsspak PLUS M6x10 (braga gummerad)
Gummed handle M6x10 PLUS
- G06 [803013](#) Låsspak PLUS M6x20 (braga gummerad)
Gummed handle M6x20 PLUS
- G07 [803007](#) Stjärnratt PLUS M8x1 special (braga gummerad)
Gummed knob M8x1
- G08 [803004](#) Stjärnratt PLUS M8x20 (braga gummerad)
Gummed knob M8x20 PLUS
- G09 [800837](#) Ryggfällning fäste Medic Cla/ErgoM
Backrestmechanism Medic hold

H01 Skruv sats för montering av rygg och ryggfällning
Screw kit for backrest assembly

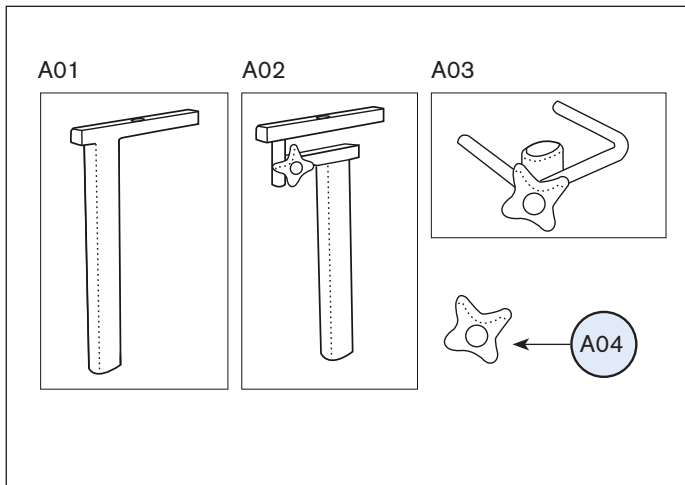


- H01 [803270](#) Skruvsats f montering av rygg och ryggfällning
Screw kit for backrest assembly

Stycklista - Armstödsmechanismer

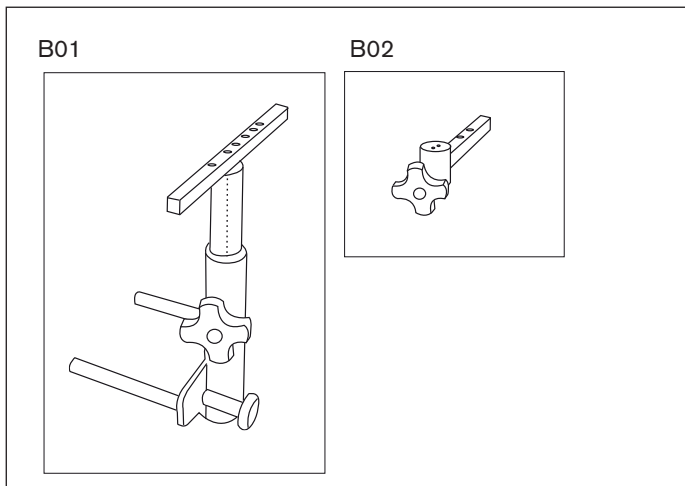
Part list - Armrest mechanisms

A Armstödsmekanism PLUS Armrest mechanism PLUS



Pos	Art.nr	Benämning
Pos	Art.no	Name
A01 1	802700	Armstöd PLUS Höger Höjd 32 <i>Armrest PLUS right, Height 32</i>
2	802702	Armstöd PLUS Vänster Höjd 32 <i>Armrest PLUS left, Height 32</i>
3	802701	Armstöd PLUS Höger Höjd 38 <i>Armrest PLUS right, Height 38</i>
4	802703	Armstöd PLUS Vänster Höjd 38 <i>Armrest PLUS left, Height 38</i>
5	802773	Armstöd Plus Mini Höger <i>Armrest PLUS Mini right</i>
6	802774	Armstöd Plus Mini Vänster <i>Armrest PLUS Mini left</i>
A02 1	802992	Armstöd Hemiplegi Höjd 32 PLUS armstöd Höger <i>Hemiplegic armrest Height 32 PLUS armrest right</i>
2	802993	Armstöd Hemiplegi Höjd 32 PLUS armstöd Vänster <i>Hemiplegic armrest Height 32 PLUS armrest left</i>
A03 1	802698	Armstöd Breddbåge PLUS Höger 9000/6100 <i>U-bar for width adjustment PLUS Right</i>
2	802699	Armstöd Breddbåge PLUS Vänster 9000/6100 <i>U-bar for width adjustment PLUS Left</i>
3	802771	Armstöd Breddbåge Plus Mini Höger <i>U-bar for width adjustment PLUS Mini Right</i>
4	802772	Armstöd Breddbåge Plus Mini Vänster <i>U-bar for width adjustment PLUS Mini Left</i>
A04	803004	Stjärnratt Plus M8x20 (Braga gummerad) <i>Gummed knob M8x20 PLUS</i>

B Armstödsmekanism fällbar Foldable armrest mechanism

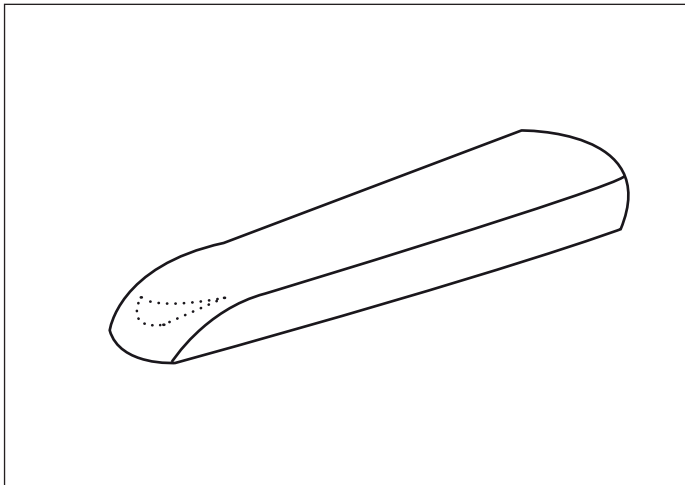


B01 1	600126	Armstöd mekanism 6100 kpl. Höger B >40 (Vuxen) <i>Armrest mechanism 6100 right Compl. >40</i>
2	600125	Armstöd mekanism 6100 kpl. Vänster B >40 (Vuxen) <i>Armrest mechanism 6100 left Compl. >40</i>
3	600170	Armstöd mekanism 6100 kpl. Vs Höger Br>40 (Vuxen) <i>Armrest mechanism 6100 right Compl. angle adjustable >40</i>
4	600169	Armstöd mekanism 6100 kpl. Vs Vänster Br>40 (Vuxen) <i>Armrest mechanism 6100 left Compl. angle adjustable >40</i>
B02 1	802991	Hemiplegi mekanism för fällbara armstöd Hö+Vä <i>Hemiplegic mechanism for foldable armrest Right+Left</i>
2	802989	Hemiplegi mekanism för fällbara armstöd Höger <i>Hemiplegic mechanism for foldable armrest Right</i>
3	802990	Hemiplegi mekanism för fällbara armstöd Vänster <i>Hemiplegic mechanism for foldable armrest Left</i>

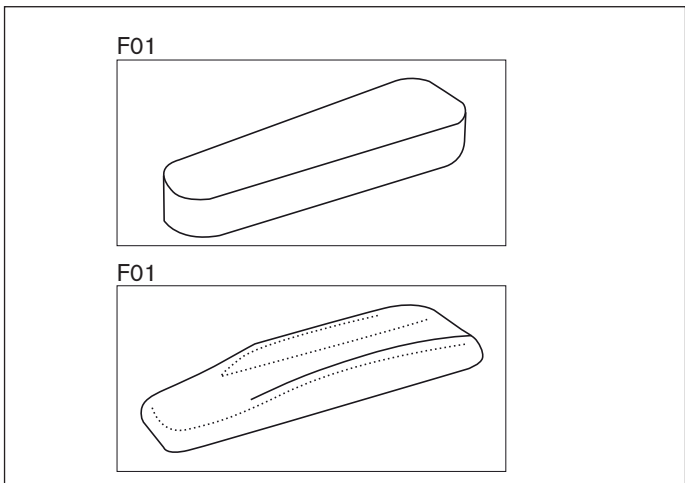
Stycklista - Armstöd

Part list - Armrests

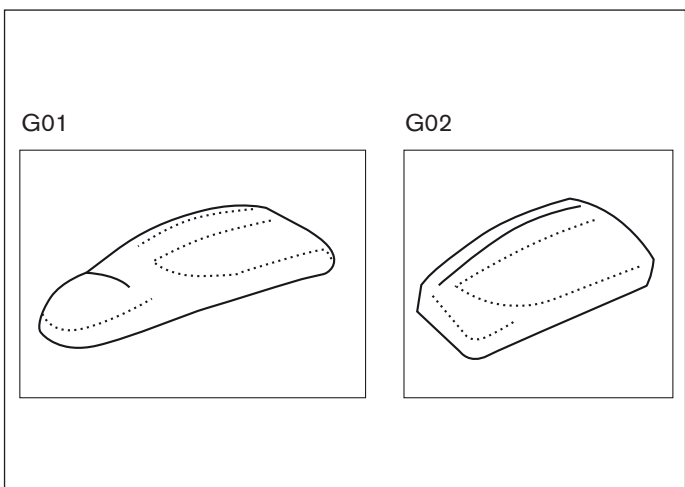
E01 ErgoMedic för armstödsmechanism PLUS
ErgoMedic for armrest mechanism PLUS



F Mobil för mekanism fällbar & Hemiplegi
Mobil for foldable armrest mechanism & Hemiplegi



G ErgoMedic PLUS för mekanism PLUS & mekanism fällbar
ErgoMedic PLUS for PLUS and foldable armrest mechanism



H01 Skruv sats för montering av armstöd
Screw kit for armrest assembly

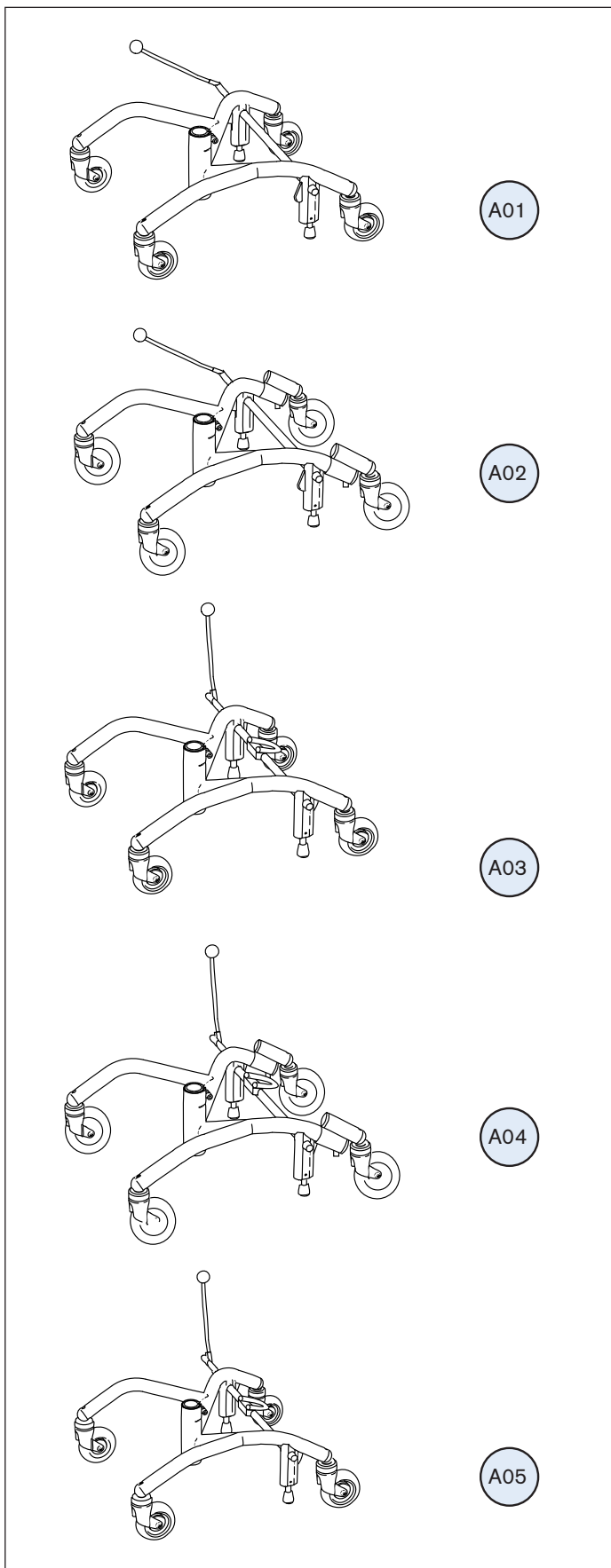


Pos	Art.nr	Benämning
Pos	Art.no	Name
E01 1	240380	Armstöd platta ErgoMedic 35 cm Konstläder Svart <i>Armrest Classic 35 cm Skai Black</i>
2	240381	Armstöd platta ErgoMedic 30 cm Konstläder Svart <i>Armrest Classic 30 cm Skai Black</i>
3	240382	Armstöd platta ErgoMedic 25 cm Konstläder Svart <i>Armrest Classic 25 cm Skai Black</i>
4	240383	Armstöd platta ErgoMedic 40 cm Konstläder Svart <i>Armrest Classic 40 cm Skai Black</i>
5	246380	Armstöd platta EM f mob. 35 cm Konstläder Svart <i>Armrest EM Mobile 35 cm Skai Black</i>
6	246381	Armstöd platta EM f mob. 30 cm Konstläder Svart <i>Armrest EM Mobile 30 cm Skai Black</i>
7	246382	Armstöd platta EM f mob. 25 cm Konstläder Svart <i>Armrest EM Mobile 25 cm Skai Black</i>
8	242381	Armstöd platta Mini 30 cm Konstläder Svart <i>Armrest Mini 30 cm Skai Black</i>
9	242382	Armstöd platta Mini 25 cm Konstläder Svart <i>Armrest Mini 25 cm Skai Black</i>
F01 1	245380	Armstöd platta Mobil 35 cm Konstläder Svart <i>Armrest Mobile 35 cm Skai Black</i>
2	245381	Armstöd platta Mobil 30 cm Konstläder Svart <i>Armrest Mobile 30 cm Skai Black</i>
3	245382	Armstöd platta Mobil 25 cm Konstläder Svart <i>Armrest Mobile 25 cm Skai Black</i>
4	245383	Armstöd platta Mobil 40 cm Konstläder Svart <i>Armrest Mobile 40 cm Skai Black</i>
5	248380	Armstöd platta Mobil 35 cm Konstläder Svart 9000 Borråd <i>Armrest Mobile 35 cm Skai Black Drilled</i>
6	248381	Armstöd platta Mobil 30 cm Konstläder Svart 9000 Borråd <i>Armrest Mobile 30 cm Skai Black Drilled</i>
7	248382	Armstöd platta Mobil 25 cm Konstläder Svart 9000 Borråd <i>Armrest Mobile 25 cm Skai Black Drilled</i>
F02	244382	Armstöd platta Hemiplegi 45x12 cm Konstläder Svart <i>Armrest Hemiplegi 45x12 cm Skai Black</i>
G01 1	243380	Armstöd platta ErgoMedic PLUS Hö 42 cm Konstläder Svart <i>Armrest ErgoMedic PLUS Right 42 cm Skai Black</i>
2	243385	Armstöd platta ErgoMedic PLUS Vä 42 cm Konstläder Svart <i>Armrest ErgoMedic PLUS Left 42 cm Skai Black</i>
G02 1	243381	Armstöd platta ErgoMedic PLUS Hö 30 cm Konstläder Svart <i>Armrest ErgoMedic PLUS Right 30 cm Skai Black</i>
2	243386	Armstöd platta ErgoMedic PLUS Vä 30 cm Konstläder Svart <i>Armrest ErgoMedic PLUS Left 30 cm Skai Black</i>
H01	803271	Skrivsats f montering armstöd <i>Screw kit for armrest assembly</i>

Stycklista - Stativ REAL 9000 PLUS

Part list - Base REAL 9000 PLUS

A



Pos Art.nr Benämning
Pos Art.no Name

A01 1 802659 Stativ 9000 PLUS 48 100 XL Svart
Base 9000 PLUS 48 100 XL Black

2 802660 Stativ 9000 PLUS 48 100 SL Svart
Base 9000 PLUS 48 100 SL Black

3 803500 Stativ 9000 PLUS 48 100 BXL Svart
Base 9000 PLUS 48 100 BXL Black

A02 1 803292 Stativ 9000 PLUS 48 125 XL m Stativförlängare bak
Base 9000 PLUS 48 125 XL base extensions back

2 803293 Stativ 9000 PLUS 48 150 XL m Stativförlängare bak
Base 9000 PLUS 48 150 XL base extensions back

A03 1 803090 Stativ 9000 PLUS 48 klinik Omvänd broms 100 XL Svart
Base 9000 PLUS reversed brake 48 100 XL Black

2 803290 Stativ 9000 PLUS 48 klinik Omvänd broms 100 SL Svart
Base 9000 PLUS reversed brake 48 100 SL Black

3 803501 Stativ 9000 PLUS 48 klinik Omvänd broms 100 BXL Svart
Base 9000 PLUS reversed brake 48 100 BXL Black

A04 1 803294 Stativ 9000 PLUS Klinik 48 125 XL m Stativförlängare bak
Base 9000 PLUS Clinic 48 125 XL base extensions back

2 803295 Stativ 9000 PLUS Klinik 48 150 XL m Stativförlängare bak
Base 9000 PLUS Clinic 48 150 XL base extensions back

A05 1 802657 Stativ 9000 PLUS 43 100 XL
Base 9000 PLUS 43 100 XL

2 802658 Stativ 9000 PLUS 43 100 SL
Base 9000 PLUS 43 100 SL

3 803299 Stativ 9000 PLUS 43 100 BXL
Base 9000 PLUS 43 100 BXL

4 803085 Stativ 9000 PLUS 43 mini 100 XL Svart
Base 9000 PLUS 43 mini 100 XL Black

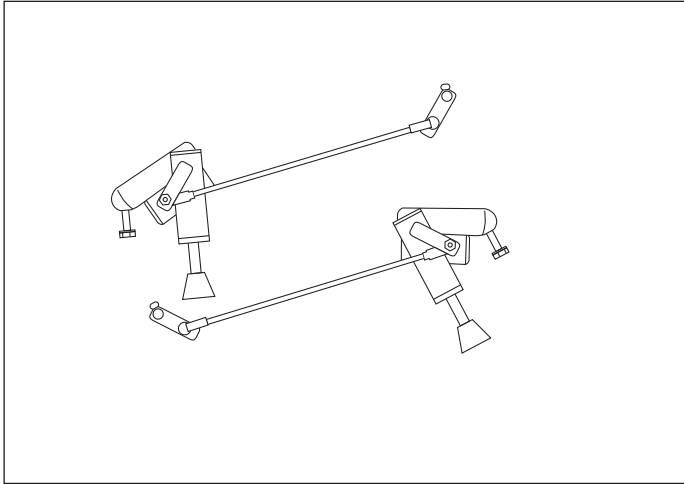
5 803086 Stativ 9000 PLUS 43 mini 100 SL Svart
Base 9000 PLUS 43 mini 100 SL Black

6 803087 Stativ 9000 Plus 43 mini 100 BXL Svart
Base 9000 PLUS 43 mini 100 BXL Black

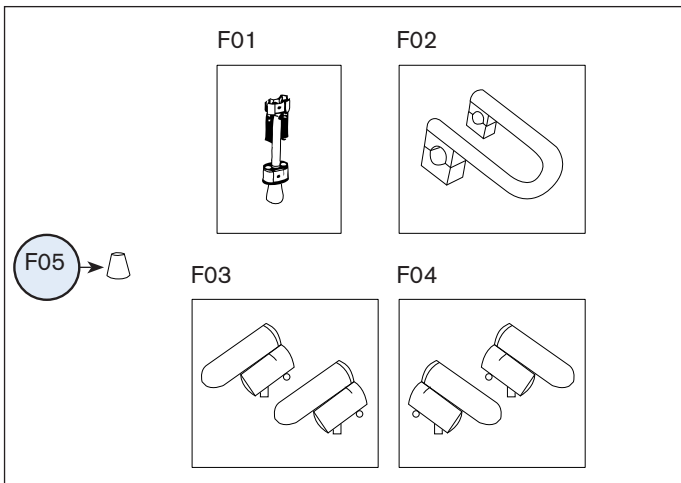
Stycklista - Stativ och bromsar

Part list - Base and brakes

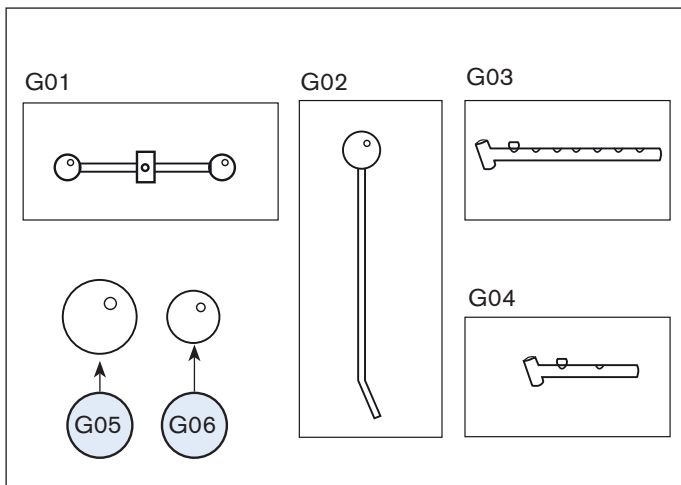
E Fyrpunktsbroms Fourpoint brake



F Bromsar och stativförlängare Brakes and base extenders



G Broms Brake



Pos	Art.nr	Benämning
Pos	Art.no	Name
F01	1 803503	Fyrbroms kit till PLUS-stativ 48 inkl stativförlängare fram Fourpoint brake for PLUS frame 48 incl. base extensions in front
	2 803502	Fyrbroms kit till PLUS-stativ 43 inkl stativförlängare fram Fourpoint brake for PLUS frame 43 incl. base extensions in front

F01	1 802810	Bromsben 9000 f PLUS-stativ f 100mm hjul Brake leg for PLUS base for castors 100 mm
	2 803504	Bromsben 9000 f PLUS-stativ f 125mm Hjul kpl m alla fästdet. Brake leg for PLUS base for castors 125 mm
	3 803505	Bromsben 9000 f PLUS-stativ f 150mm Hjul kpl m alla fästdet. Brake leg for PLUS base for castors 150 mm

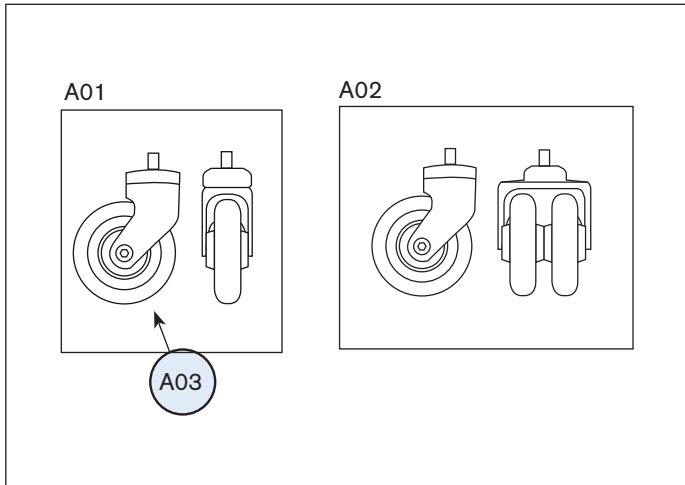
F02	802865	Bromspedal för PLUS-stativ 20mm bromsaxeldiameter Brake pedal for PLUS base
F03	802936	Stativförlängare fram f PLUS-stativ M12 Base extensions front
F04	802871	Stativförlängare bak f PLUS-stativ M12 Base extensions back
F05	801264	Bromsbot Diam 32 mm Brake rubber 32 mm

G01	1 800785	Reumatikerkrav till Handbromsspak Rheumatic cross for hand brake lever
G02	1 800881	Handbromsspak 25 cm f PLUS-stativ Brake lever 25 cm for PLUS-base
	2 802866	Handbromsspak 35 cm Vinklad f PLUS-Stativ Brake lever 35 cm, angled for PLUS-base
	3 802868	Handbromsspak 45 cm Vinklad f PLUS-stativ Brake lever 45 cm, angled for PLUS-base
	4 800885	Handbromsspak 55 cm vinklad f PLUS-stativ Brake lever 55 cm, angled for PLUS-base
G03	802800	Bromsspaksfäste f PLUS-stativ justerbart (7 lägen) Bracket for brake lever, 7 positions
G04	802799	Bromsspaksfäste f PLUS-stativ justerbart (2 lägen) Bracket for brake lever, 2 positions
G05	801625	Kula handbromsspak diam 50mm Large ball grip 50 mm for brake lever
G06	801014	Kula Handbromsspak Diam 35mm Large ball grip 35 mm for brake lever

Stycklista - Hjul

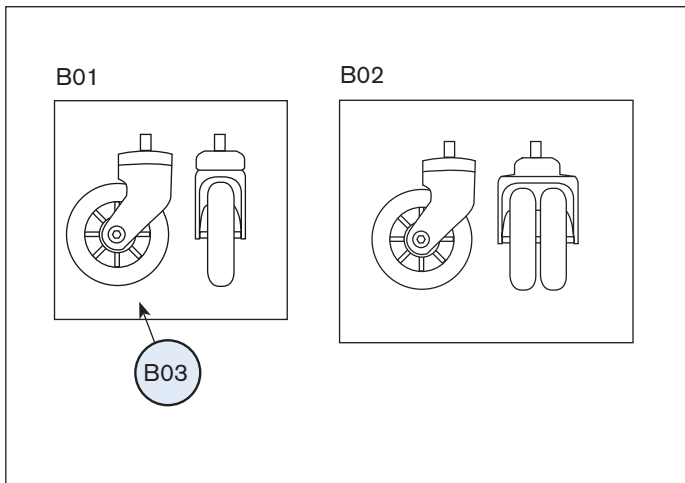
Part list - Castors

A XL Hjul - Allround XL castor -Allround



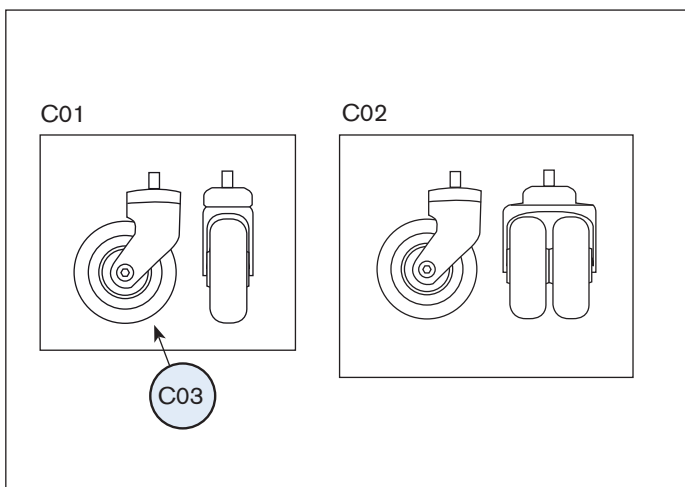
Pos	Art.nr	Benämning
Pos	Art.no	Name
A01	1 801213	Länkhjul 100 XL M12 Castor 100mm XL M12
	2 800903	Länkhjul 100 XL tröga M12 Castors 100mm XL stagnant M12
A02	802942	Länkhjul Dubbelt 100 XL M12 Castor double 100mm XL M12
A03	801360	Hjul 100 XL m kullager utan bygel Castors without fork 100 mm XL with SKF-Ball bearing

B SL Hjul - För hårda golv SL castor -Hard surfaces



B01	801144	Länkhjul 100 SL M12 Castor 100mm SL M12
B02	802943	Länkhjul Dubbelt 100 SL M12 Castor double 100mm SL M12
B03	801638	Hjul 100 SL inklusive kullager utan bygel Castors without fork 100 mm SL with SKF-Ball bearing

C BXL Hjul - För mjuka golv BXL castor -Soft surfaces

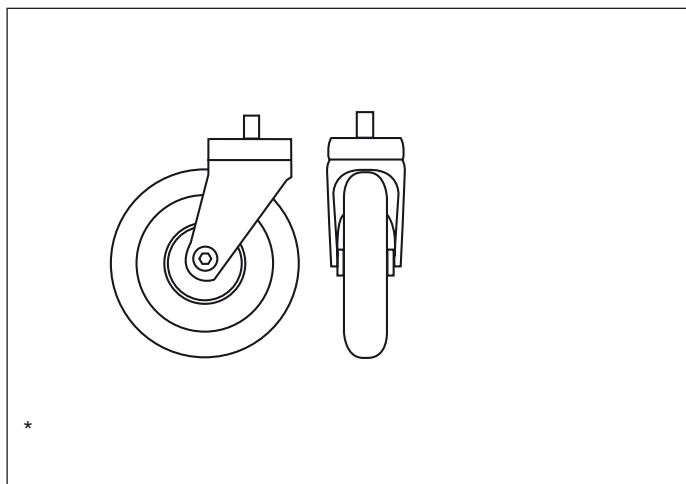


C01	803162	Extra brett lättrollat länkhjul, BXL 100 mm Extra wide easy-rolled castor
C02	802944	Extra brett lättrollat dubbelt länkhjul, BXL 100 mm Extra wide easy-rolled double castor
C03	803161	Hjul 100 BXL Polyuretan Extra brett XL-hjul utan bygel Castors without fork 100 BXL polyurethane black

Stycklista - Hjul

Part list - Castors

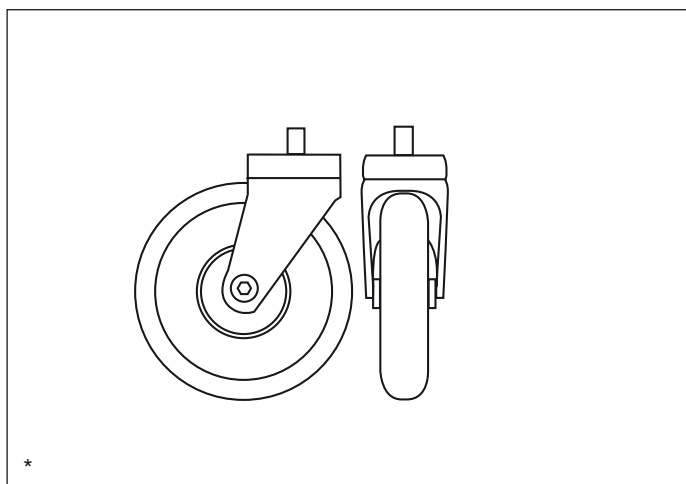
E01 Länkhjul 125 mm - För trösklar
125 castor - Threshold



Pos	Art.nr	Benämning
Pos	Art.no	Name

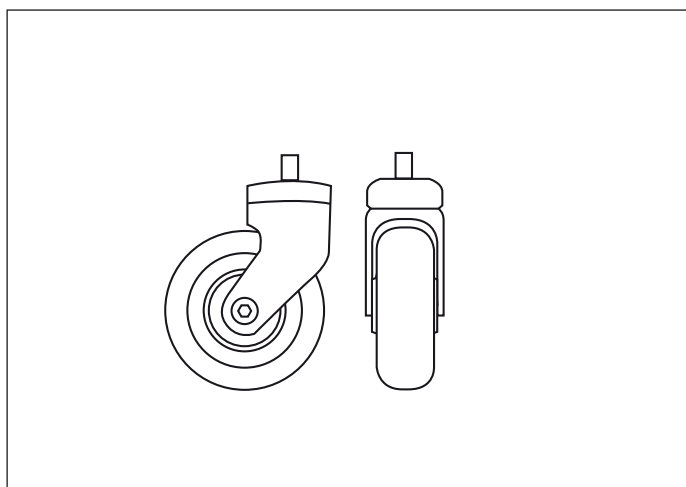
E01	800904	Länkhjul 125 mm XL Castor 125 mm M12
-----	--------	---

F01 Länkhjul 150 mm - För trösklar
150 castor - Threshold



F01	800905	Länkhjul 150 mm XL Castor 150 mm M12
-----	--------	---

G01 ESD hjul
ESD castor



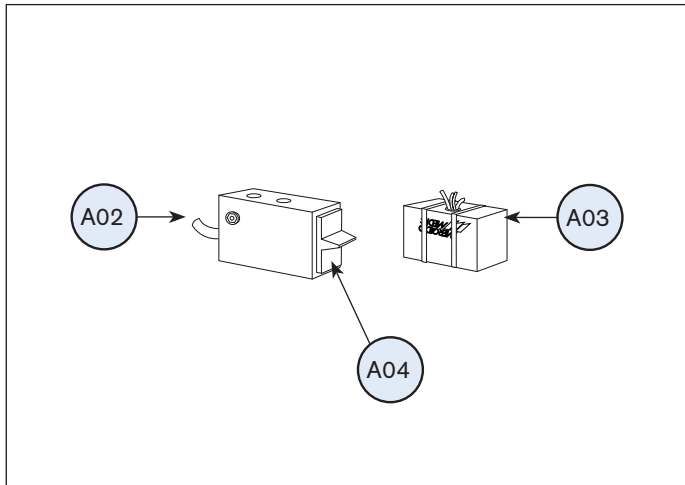
G01	802066	Länkhjul 100 mm ESD M12 kpl. m bygel. Extra bred bana Castor 100 mm ESD M12, extra wide wheel path
-----	--------	---

*Stativförlängare måste användas !
*Base extenders must be used !

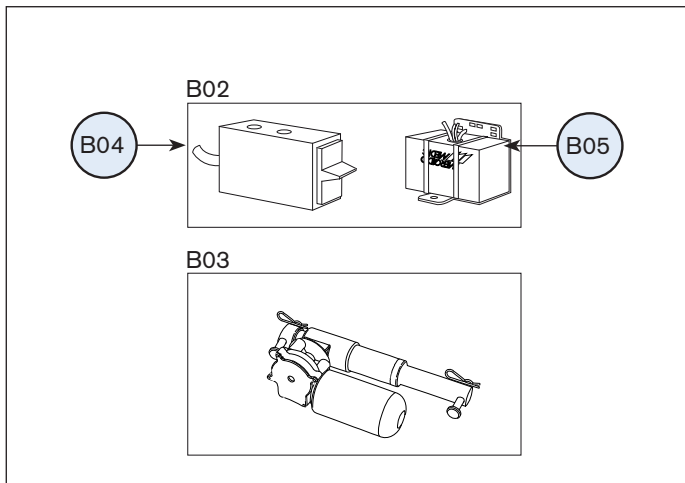
Stycklista - EL manöverbox

Part list - Electric remote

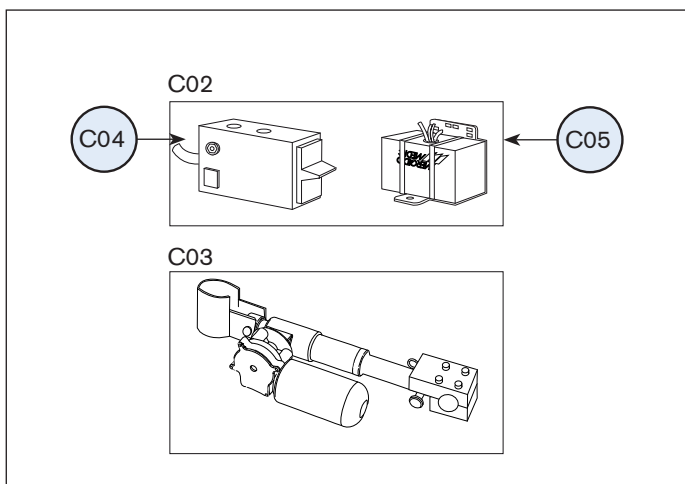
A01 Elektronik för upp & ner
Electronics for up & down



B01 Elektronik för sitsvinkling
Electronics for seat angle adjustment



C01 Elektronik för broms
Electronics for brake

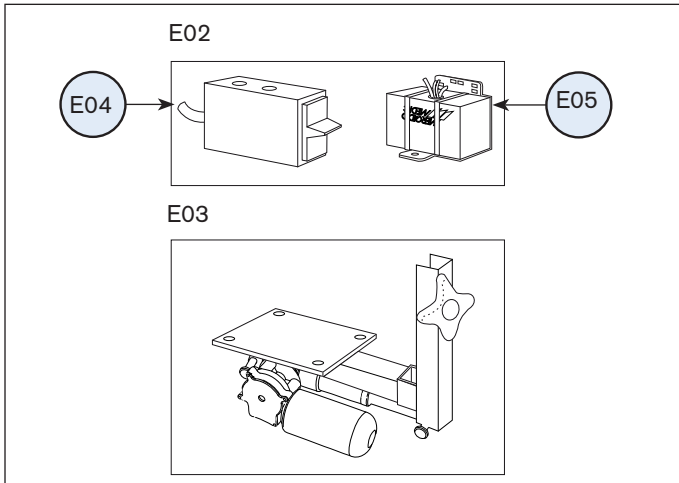


Pos	Art.nr	Benämning
Pos	Art.no	Name
A01	802998	Reläkortssats upp/ner+ladd kpl inkl manöverbox 9000 PLUS <i>Relaycardkit up/down,charg.cpl.incl.operatorbox 9000 PLUS</i>
A02	803034	Manöverbox PLUS f upp/ner +ladd kpl m kablage f reläkort <i>Maneuverbox PLUS for up/down +charger with cabling f relaycard</i>
A03	802546	Reläkort strömbegränsning Upp-Ner REAL 9000 <i>Relaycard current limiting up/down REAL 9000</i>
A04	802692	Manöverknapp med tunga f Reläkort (Röd knapp) <i>Red Button</i>
B01	1 803275	Eldon+Reläsats f sitsvinkel inkl manöverbox <i>Electric kit + relaycard f seat angle including maneuverbox</i>
	2 803291	Eldonssats f elvinkel f manuell stol 9000 PLUS <i>Electric kit + relaycard f electric angling for manual chair</i>
	3 803667	Eldon+Relä f sitsvink -15/+15 f reläkort Real 9000 PLUS <i>Electric kit + relaycard f seat -15/+15 f relaycard 9000 PLUS</i>
B02	803000	Reläkortssats sitsvinkel kpl inkl manöverbox 9000 PLUS <i>Relaycardkit seat angle compl. incl. maneuverbox 9000 PLUS</i>
B03	1 802730	Eldonssats f sitsvinkel <i>Electric kit for seat angle</i>
	2 803666	Eldonssats f sitsvink -15/+15 f reläkort Real 9000 PLUS <i>Electric kit f seat -15/+15 f relaycard 9000 PLUS</i>
B04	803035	Manöverbox PLUS f rygg/sits vinkl kpl m kablage f reläkort <i>Maneuverbox PLUS f back/seat angle cpl. with cabling f relaycard</i>
B05	802578	Reläkort strömbegränsning Sits/Ryggvinkling 16 amp <i>Relaycard current limiting seat/back angle 16 amps</i>
C01	1 803276	Eldon+Reläsats f broms inkl manöverbox <i>Electric kit + relaycard for brake including maneuverbox</i>
	2 803077	Eldonssats f elbroms f manuell stol 9000 PLUS inkl batteri <i>Electric kit for brake, for manual chair incl battery</i>
	3 803522	Eldonssats f momentan broms f Plus inkl reläkort och manbox <i>Electric kit for momentary brake, for manual chair</i>
C02	803001	Reläkortssats broms kpl inkl manöverbox 9000 PLUS <i>Relaycardkit brake completeincl.operat.box 9000 PLUS</i>
C03	803037	Eldonssats f elbroms f PLUS <i>Electric kit for brake, for PLUS</i>
C04	803036	Manöverbox PLUS f upp/ner & broms kpl m kablage f reläkort <i>Maneuverbox PLUS for up/downbrake cpl.w. cabl. f relaycard</i>
C05	802600	Reläkort strömbegränsning Broms 8 amp <i>Relaycard current limiting spec.brake 8 amp(dement)</i>

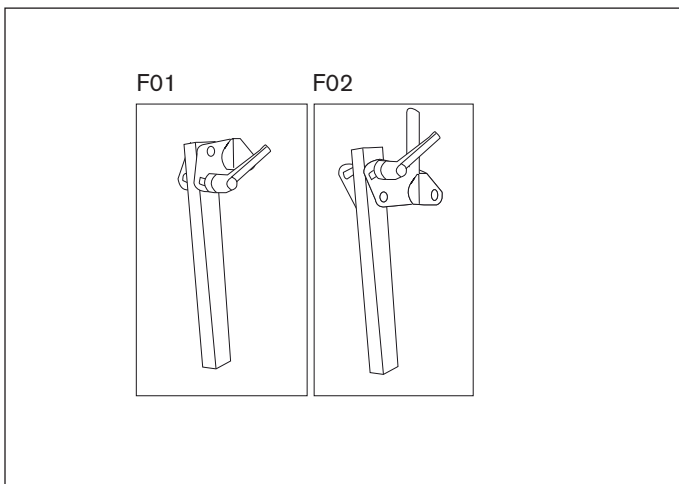
Stycklista - EL manöverbox

Part list - Electric remote

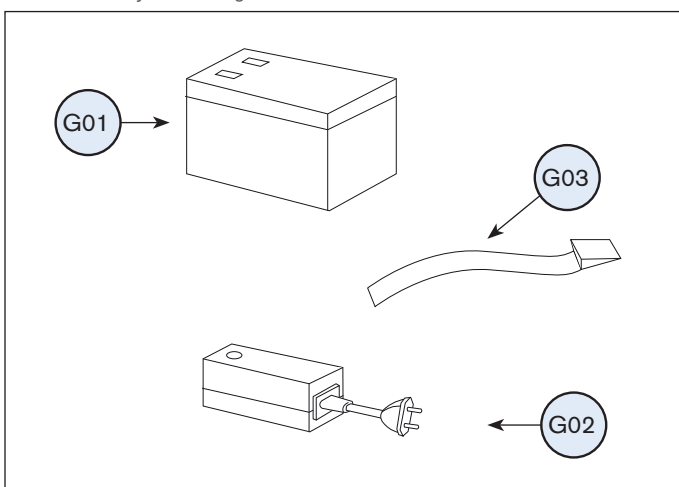
E01 Elektronik för ryggvinkling Electronics for backrest angle



F Ryggstolpe för Elygg Back pole for electric backrest



G Batteri och laddare Battery and charger



Pos	Art.nr	Benämning
Pos	Art.no	Name
E01	803277	Eldon+Reläsats f ryggvinkel inkl manöverbox Electric kit + relaycard for backrest angling incl. manueverbox
E02	802999	Reläkortssats ryggvinkel kpl inkl manöverbox 9000 PLUS Relaycardkit back angle compl. incl. operatorbox 9000 PLUS
E03	802731	Eldonssats f ryggvinkel f reläkort Real 9000 Electric kit for backrest angle for relaycard REAL 900
E04	803035	Manöverbox PLUS f rygg/sits vinkl kpl m kablage f reläkort Maneuverbox PLUS f back/seat angle cpl.with cabling f relaycard
E05	802578	Reläkort strömbegränsning Sits/Ryggvinkling 16 amp Relaycard current limitingseat/back angle 16 amps

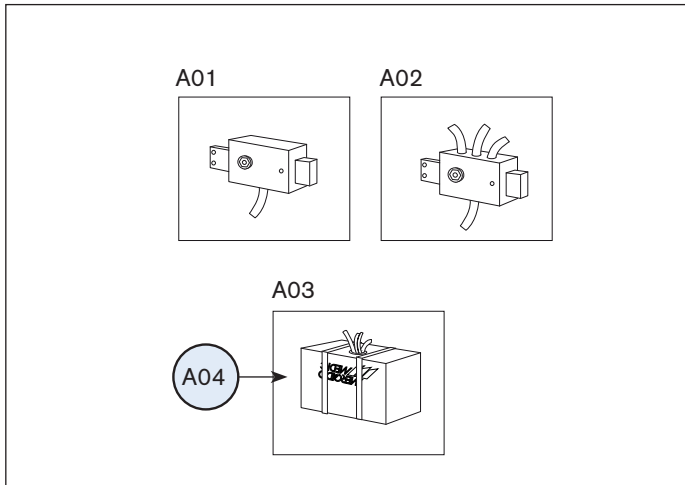
F01	801265	Ryggstolpe Standard. ErgoMedic Låg rygg Back pole Std Cla/ ErgoMedic Low back
F02	800841	Ryggstolpe Standard ErgoMedic Hög rygg Back pole Standard ErgoMedic High back

G01	1	801134	Batteri REAL Elstol Vuxen 12V 7.2Ah Battery 12V 7.2Ah
	2	801135	Batteri REAL Elstol 12 V 3.4 Ah f Br 33-39 Battery 12V 3.4Ah
G02	1	802289	Batteriladdare REAL 9000 12V Battery charger 12V REAL 9000 12V
	2	802935	Batteriladdare REAL 9000 12V för England Battery charger 12V for UK
G03		801258	Fästband Batteri längd 700 mm bredd 18mm för Elstol Cord for battery length 700 mm width 18 mm

Stycklista - EL laddbox

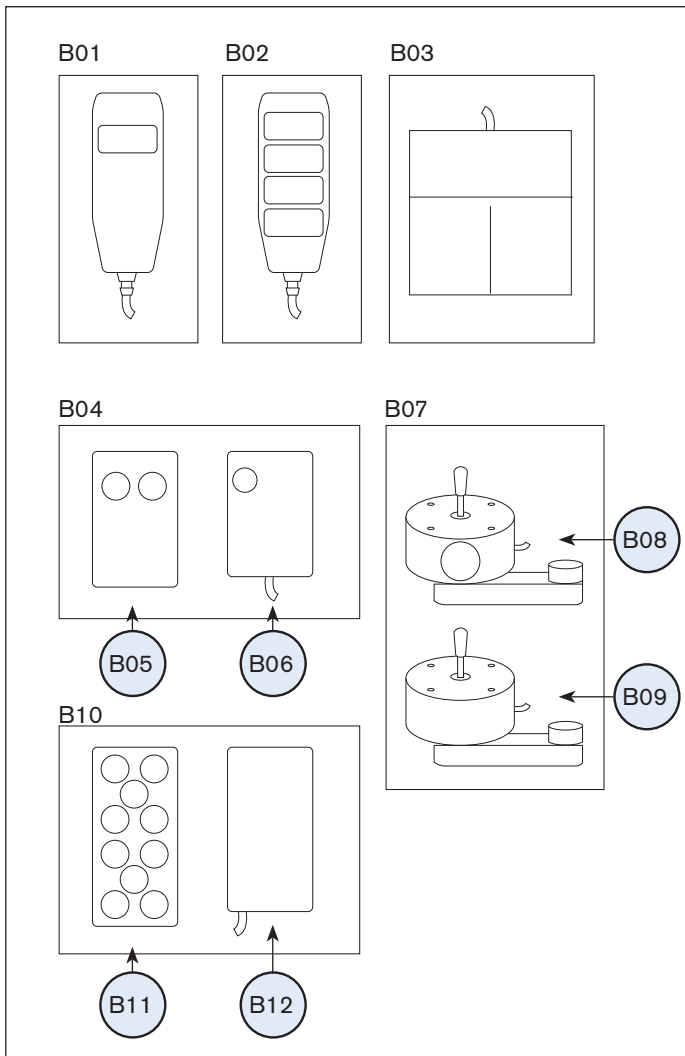
Part list - Chargerbox

A Elektronik för upp & ner för laddbox Electronics for up & down with chargerbox



Pos	Art.nr	Benämning
Pos	Art.no	Name
A01	803029	Laddbox Hand Fjärr Joystick upp/ner <i>Chargerbox handcontrol 1-function up/down</i>
A02	803030	Laddbox Hand Fjärr Joystick Multi <i>Chargerbox handcontrol Multi</i>
A03	802748	Reläkortssats upp/ner+ladd 9000 kpl exkl laddbox <i>Relaycardkit up/down + charger 9000 compl. excl. chargerbox</i>
A04	802546	Reläkort strömbegränsning upp/ner REAL 9000 <i>Relaycard current limiting up/down REAL 9000</i>

B Manöver alternativ Maneuver alternative

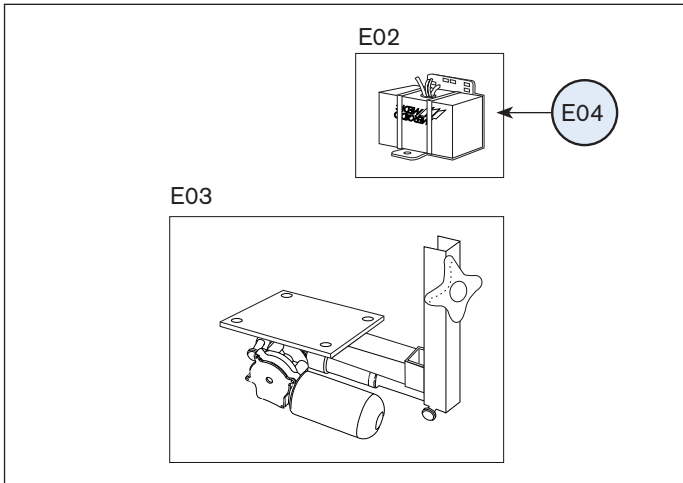


B01	802739	Handkontroll 1-funktion u/n m sladd o kontakt för reläkort <i>Handcontrol 1-function up/downcord and contact for relaycard</i>
B02	802740	Handkontroll 4-funktion multi m sladd o kontakt för reläkort <i>Handcontrol 4-function multicord and contact for relaycard</i>
B03	802688	Fotkontakt elreglage h/s 9000 f REAL 9000 EI för reläkort <i>Foot pedal for electric raising/lowering</i>
B04	802686	Sladdlös höjreglering för REAL 9000 EI för reläkort <i>Remote control Kit Up/Down</i>
B05	801806	Fjärrkontroll Manöverdosa f Upp/Ner IR 9000 EI <i>Remote control Up/Down</i>
B06	802737	Fjärrkontroll Mottagare f Upp/Ner IR 9000 EI för reläkort <i>Remote control Receiver Up/Down</i>
B07	802743	Joystick 3-funktioner + broms m kontakt för reläkort <i>Joystick 3 function + brake</i>
B08	802742	Joystick 2-funktioner + broms m kontakt för reläkort <i>Joystick 2 function + brake</i>
B09	802741	Joystick 2-funktioner ej broms m kontakt för reläkort <i>Joystick 2 function no brake</i>
B10	802687	Sladdlös multireglering för REAL 9000 EI för reläkort <i>Remote control Kit Multi</i>
B11	801808	Fjärrkontroll Manöverdosa för Multi IR 9000 EI <i>Remote control Transmitt Multi</i>
B12	802738	Fjärrkontroll Mottagare för Multi IR 9000 EI för reläkort <i>Remote control Receiver Multi</i>

Stycklista - EL laddbox

Part list - Chargerbox

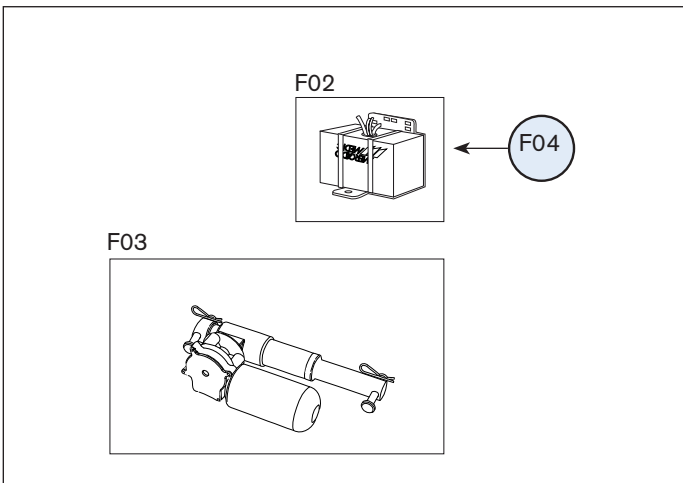
E01 Elektronik för ryggvinkling för laddbox
Electronics for backrest angle with chargerbox



Pos Art.nr Benämning
Pos Art.no Name

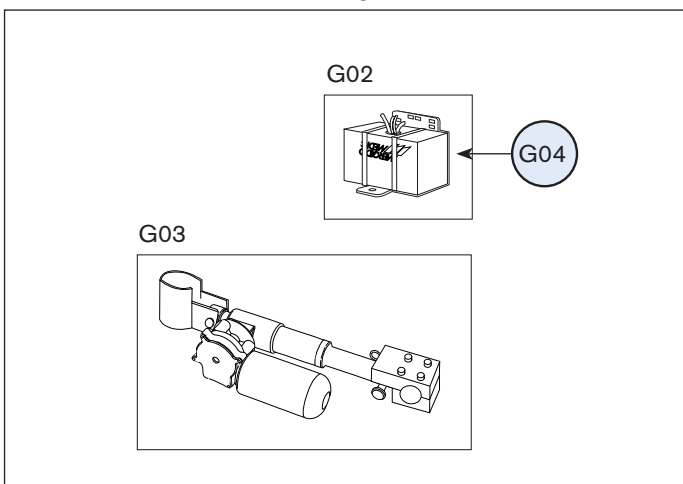
E01	803274	Eldon+Reläsats för ryggvinkel exkl laddbox Electric kit + relaycard for backrest angling excl. chargerbox
E02	802750	Reläkortssats ryggvinkel komplett exkl laddbox Relaycardkit back angle compl. excluding chargerbox
E03	802731	Eldonssats för ryggvinkel för reläkort Real 9000 Electric kit for backrest angle
E04	802578	Reläkort strömbegränsning Sits/Ryggvinkling 16 amp Relaycard current limiting seat/back angle 16 amps

F01 Elektronik för sitsvinkling för laddbox
Electronics for seat angle adjustment with chargerbox



F01	803272	Eldon+Reläsats f sitsvinkling exkl laddbox Electric kit + relaycard for electric seat angling excl. chargerbox
F02	802749	Reläkortssats sitsvinkel kpl exkl laddbox Relaycardkit seatangle compl. excluding chargerbox
F03	802730	Eldonssats för sitsvinkel Electric kit for seat angle adjustment
F04	802578	Reläkort strömbegränsning Sits/Ryggvinkling 16 amp Relaycard current limiting seat/back angle 16 amps

G01 Elektronik för broms för laddbox
Electronics for brake with chargerbox



G01	803273	Eldon+Reläsats f broms exkl laddbox Electric kit + relaycard for electric brake excluding chargerbox
G02	802751	Reläkortssats broms kpl exkl laddbox Relaycardkit brake complete excluding chargerbox
G03	803037	Eldonssats för elbroms för PLUS Electric kit for seat electric brake for PLUS
G04	802600	Reläkort strömbegränsning Broms 8 amp Relaycard current limiting brake 8 ampere



MERCADO SVERIGE

Mercado Medic AB
Tryffelslingan 14
181 57 Lidingö

Telefon & Fax
Tel 08 555 143 00
Fax 08 555 143 99

Email & Internet
Email info@mercado.se
Internet www.mercado.se



MERCADO NETHERLANDS

Mercado Medic Nederland BV
Nobelweg 22
3899 BN Zeewolde

Phone & Fax
Tel +31 (0) 36 521 99 95
Fax +31 (0) 36 521 99 90

Email & Internet
Email info@mercado-medic.nl
Internet www.mercado-medic.nl



MERCADO UK

Mercado Medic UK Ltd
PO Box 4818
Warwick, CV34 9GB

Phone & Fax
Ph +44-(0)844 561 6874
Fax +44-(0)844 561 6875

Email & Internet
Email info@mercado-medic.co.uk
Internet www.mercado-medic.co.uk

MERCADO NORGE



Handicare
Postboks 5043
1503 Moss

Telefon & Telefaks
Telefon: 69 24 44 00
Telefaks: 69 24 45 00

Epost & internett
Epost: post@handicare.no
Internett: www.handicare.no