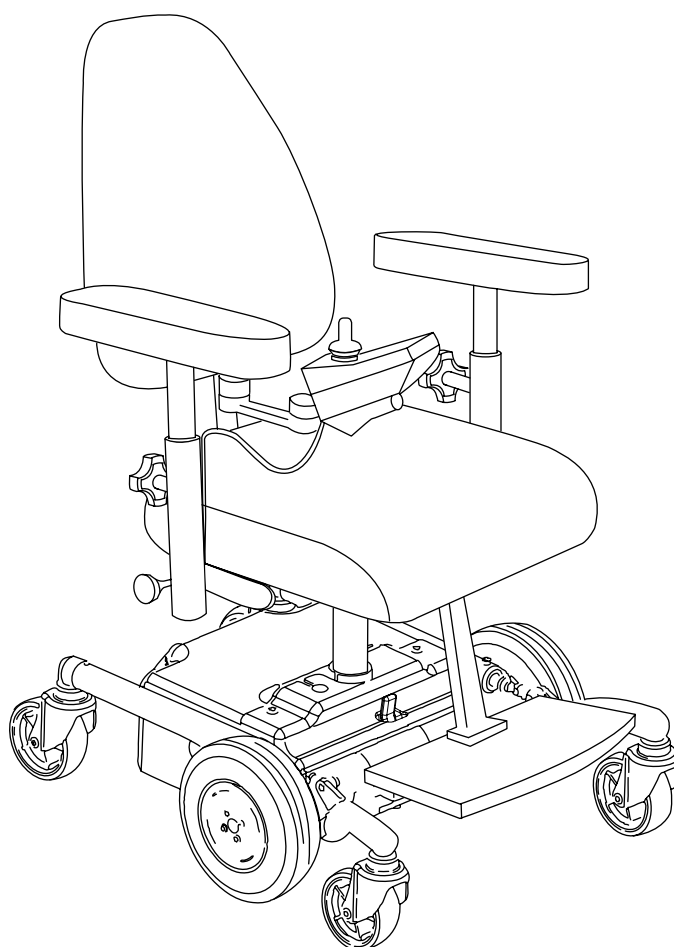




REAL® 6100 PLUS - SPRÄNGSKISS
REAL® 6100 PLUS - EXPLODED DIAGRAM

Artikelnr/Article no 803442
Ändrad/Changed 130930
Giltig från/Valid from 120412

P VERSION 001



Mercado Medic AB
Tryffelslingan 14
181 57 Lidingö

Telefon & Fax
Tel 08 555 143 00
Fax 08 555 143 99

Email & Internet
Email info@mercado.se
Internet www.mercado.se

Innehållsförteckning

Table of content

Detalj <i>Detail</i>	Sida <i>Page</i>
KLÄDSLAR OCH FÄRGKODER/UPHOLSTERY AND COLOUR CODES	3
SITTPLATTA/SEAT	4
SITTKRYSS/SEAT FRAME	10
MANÖVERBOXAR/CONTROL BOX	13
LYFTOMATER/LIFTOMATS	14
RYGGPLATTA/BACKREST	16
RYGGMEKANISM/BACKREST MECHANISM	23
ARMSTÖD/ARMRESTS	28
ARMSTÖDSMEKANISMER/ARMREST MECHANISMS	29
CHASSIE/CHASSIS	30
HJUL/CASTORS	31
ELEKTRONIK/ELECTRONICS	32

FÖRKLARING AV SYMBOLER

EXPLANATION OF THE SYMBOLS

 Artikel för
Article for

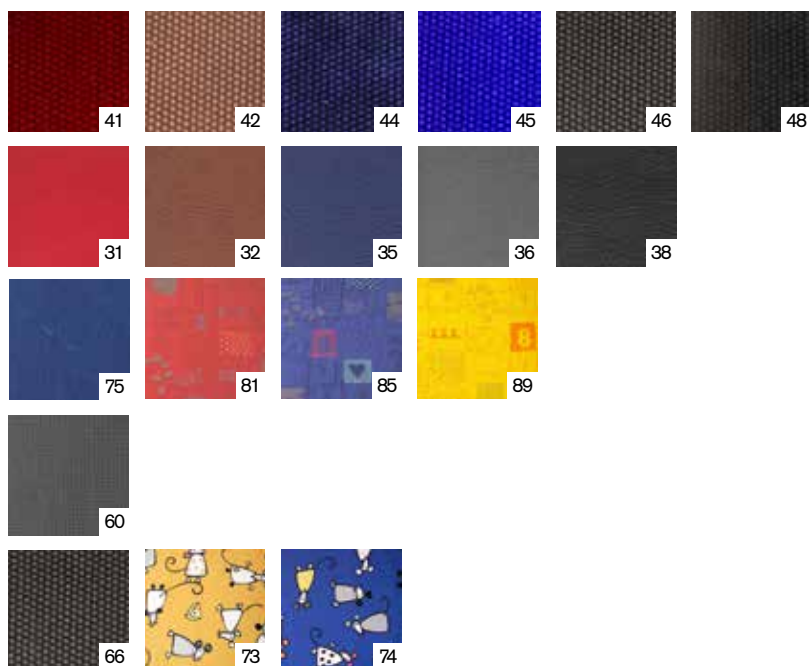
 Artikel för
Article for

 Artikel för
Article for

 Artikel för
Article for

Klädslar och färgkoder

Clothing and colour codes



SIFFERKOD KLÄDSLAR (SIFFRA 7 & 8) DIGITCODE UPHOLSTERY (DIGIT 7 & 8)

Plysch/*Plush*

41 Vinröd/*Burgundy* 42 Brun/*Brown* 44 Marin/*Marine*
45 Realblå/*Royal blue* 46 Grå/*Grey* 48 Svart/*Black*

Konstläder/*Skai*

31 Röd/*Red* 32 Brun/*Brown* 35 Blå/*Blue*
36 Grå/*Grey* 38 Svart/*Black*

Väv mönstrad *Vuxen*/*Patterned fabric, Adult*

75 Blå
75 *Blue*

Väv mönstrad *Barn*/*Patterned fabric, Child*

81 Röd/*Red* 85 Blå/*Blue* 89 Gul/*Yellow*

Alternativ klädsel/*Alternative covering*

60 Hygienväv/*Hygiene fabric*
95 Utan klädsel/*Without clothing*

Överdragsklädsel/*Covering*

66 Inkontinensöverdrag grå plastad plysch/
Incontinence cover, grey plastic-coated plush
73 Barn, Gul bomull/*Child, Yellow cotton*
74 Barn, Blå bomull/*Child, Blue cotton*

FÖRKLARING TILL STOPPDETALJERS ARTIKELNUMMER Art.nr: ST101546. = "Sits ErgoMedic, plysch grå 44x48 cm"

EXPLANATION OF THE ARTICLE NUMBERS STRUCTURE Article No: ST101546. = "ErgoMedic seat, plush grey 44x48 cm"

Siffror 1-2 = Typ av stoppningsartikel (ST = sits, BR = ryggplatta etc.)

Digit 1-2 = Typ av upholstret artikel (1 = seat, 2 = back panel etc.)

Siffror 3-4 = Sittsystem (ErgoMedic, ErgoMedic PLUS etc.)

Digits 3-4 = Seat system (ErgoMedic, ErgoMedic PLUS etc.)

Siffror 5-6 = Storlek

Digit 5-6 = Size

Siffror 7 = Material (plysch, konstläder etc.)

Digit 7 = Material (plush, skai etc.)

Siffror 8 = Färg

Digit 8 = Colour

PREFIX FÖR UPPBYGGNADEN AV ARTIKELNUMMER

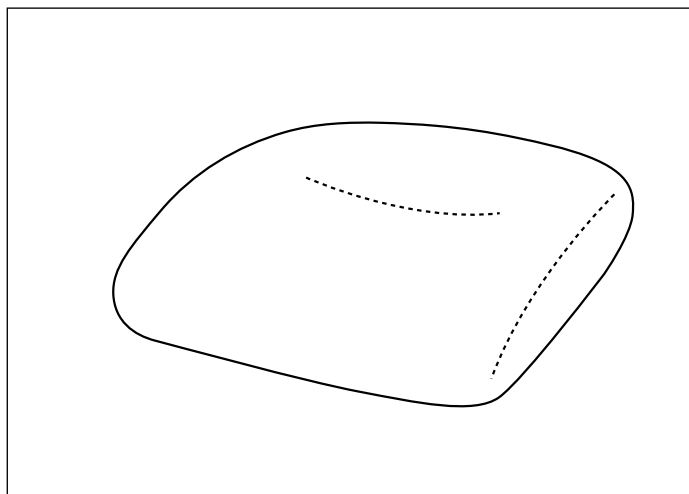
PREFIX FOR THE STRUCTURE OF THE ARTICLE NUMBER

AD	<i>AD</i> apter	Adapter	LD	<i>Leg</i> Divider	Grenkil
AR	<i>Arm</i> Rest	Armstöd	LDC	<i>Leg</i> Divider Cover	Grenkil överdrag
ARM	<i>Arm</i> Rest Mechanism	Armstödsmekanism	LS	<i>Leg</i> Support	Benstöd
AS	<i>Am</i> putation Support	Amputationsstöd	NS	<i>Neck</i> Support	Nackstöd
ASC	<i>Am</i> putation Support Cover	Amputationsstöds överdrag	NSC	<i>Neck</i> Support Cover	Nackstöd överdrag
BD	<i>Br</i> ake Device	Handbroms	PB	<i>Push</i> Bar	Körbygel
BE	<i>Bas</i> E	Stativ	RC	<i>Reu</i> matic Cross	Reumatikerkryss
BEA	<i>Br</i> Eak Accessory	Bromstillbehör	SA	<i>Seat</i> Angle Mechanism	Sitsvinkel
BEX	<i>Base</i> EXtender	Stativförlängare	SAR	<i>Seat</i> Angle Regulation	Sitsvinklings reglage
BR	<i>Back</i> Rest	Rygg	SAP	<i>Seat</i> Angle Placement	Sitsvinklings placering
BRC	<i>Back</i> Rest Cover	Rygg överdrag	SH	<i>Seat</i> Height	Sitthöjd
BRM	<i>Back</i> Rest Mechanism	Ryggmekanism	SS	<i>Side</i> Support	Sidostöd
CS	<i>Calf</i> Support	Vadstöd	SSC	<i>Side</i> Support Cover	Sidostöds överdrag
CSC	<i>Calf</i> Support Cover	Vadstöds överdrag	ST	<i>Sea</i> T	Sits
FR	<i>Foot</i> Ring	Fotring	STC	<i>Sea</i> T Cover	Sits överdrag
HB	<i>Hip</i> Belt	Höftbälte	TA	<i>Table</i>	Bord
KS	<i>Knee</i> Support	Knästopp	TS	<i>Trunk</i> Support	Bålstöd
KSC	<i>Knee</i> Support Cover	Knästopps överdrag	TSC	<i>Trunk</i> Support Cover	Bålstöd överdrag
LB	<i>Large</i> Ball	Stor kula	WE	<i>Wh</i> eel	Hjul

Stycklista – Sittplatta

Part list – Seat

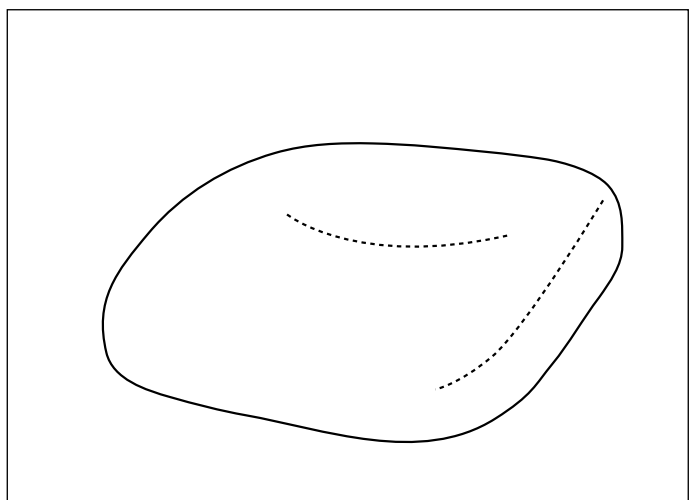
A01 Sits ErgoMedic
Seat ErgoMedic



Pos Art.nr Benämning
Pos Art.no Name

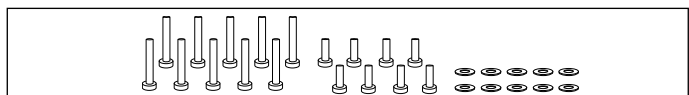
A01	1	ST101546 150460	Sits ErgoMedic 44x48 Plysch Grå Seat ErgoMedic 44x48 Plush Grey
	2	ST101046 150461	Sits ErgoMedic 48x48 Plysch Grå Seat ErgoMedic 48x48 Plush Grey
	3	ST102046 150462	Sits ErgoMedic 44x43 Plysch Grå Seat ErgoMedic 44x43 Plush Grey
	4	ST102546 150469	Sits ErgoMedic 40x48 Plysch Grå Seat ErgoMedic 40x48 Plush Grey
	5	ST103046 150463	Sits ErgoMedic 40x43 Plysch Grå Seat ErgoMedic 40x43 Plush Grey
	6	ST103546 150464	Sits ErgoMedic 40x39 Plysch Grå Seat ErgoMedic 40x39 Plush Grey
	7	ST104046 150467	Sits ErgoMedic 36x43 Plysch Grå Seat ErgoMedic 36x43 Plush Grey
	8	ST104546 150465	Sits ErgoMedic 36x39 Plysch Grå Seat ErgoMedic 36x39 Plush Grey
	9	ST105046 150466	Sits ErgoMedic 33x35 Plysch Grå Seat ErgoMedic 33x35 Plush Grey
	10	ST105546 150468	Sits ErgoMedic 29x32 Plysch Grå Seat ErgoMedic 29x32 Plush Grey

B01 Sits ErgoMedic Slow Recovery
Seat ErgoMedic Slow Recovery



B01	1	ST111546 155460	Sits ErgoMedic Slow Recovery 44x48 Plysch Grå Seat ErgoMedic Slow Recovery 44x48 Plush Grey
	2	ST111046 155461	Sits ErgoMedic Slow Recovery 48x48 Plysch Grå Seat ErgoMedic Slow Recovery 48x48 Plush Grey
	3	ST112046 155462	Sits ErgoMedic Slow Recovery 44x43 Plysch Grå Seat ErgoMedic Slow Recovery 44x43 Plush Grey
	4	ST112546 155469	Sits ErgoMedic Slow Recovery 40x48 Plysch Grå Seat ErgoMedic Slow Recovery 40x48 Plush Grey
	5	ST113046 155463	Sits ErgoMedic Slow Recovery 40x43 Plysch Grå Seat ErgoMedic Slow Recovery 40x43 Plush Grey
	6	ST113546 155464	Sits ErgoMedic Slow Recovery 40x39 Plysch Grå Seat ErgoMedic Slow Recovery 40x39 Plush Grey
	7	ST114046 155467	Sits ErgoMedic Slow Recovery 36x43 Plysch Grå Seat ErgoMedic Slow Recovery 36x43 Plush Grey
	8	ST114546 155465	Sits ErgoMedic Slow Recovery 36x39 Plysch Grå Seat ErgoMedic Slow Recovery 36x39 Plush Grey
	9	ST115046 155466	Sits ErgoMedic Slow Recovery 33x35 Plysch Grå Seat ErgoMedic Slow Recovery 33x35 Plush Grey

C01

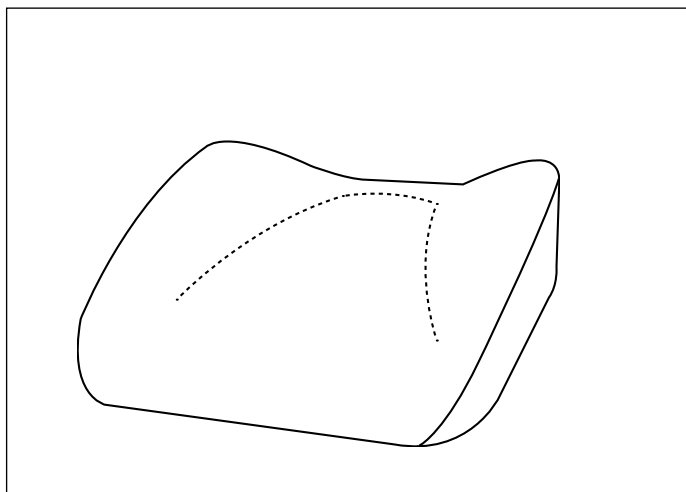


C01 **803269** Skruvsats f monterng av sittplatta
Screw kit for seat assembly

Stycklista – Sittplatta

Part list – Seat

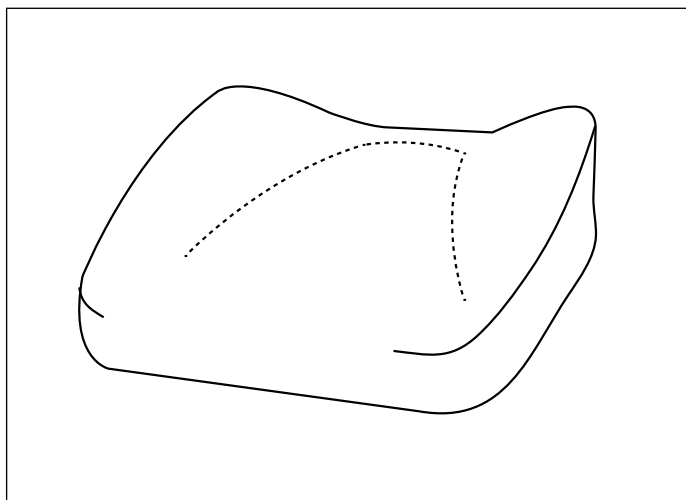
D01 Sits ErgoMedic PLUS
Seat ErgoMedic PLUS



Pos Art.nr Benämning
Pos Art.no Name

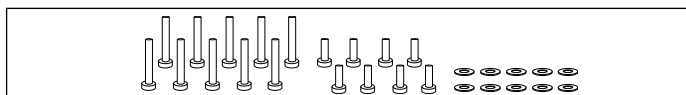
D01	1	ST201546 151460	Sits ErgoMedic PLUS 44x48 Plysch Grå Seat ErgoMedic PLUS 44x48 Plush Grey
	2	ST201046 151461	Sits ErgoMedic PLUS 48x48 Plysch Grå Seat ErgoMedic PLUS 48x48 Plush Grey
	3	ST202046 151462	Sits ErgoMedic PLUS 44x43 Plysch Grå Seat ErgoMedic PLUS 44x43 Plush Grey
	4	ST202546 151469	Sits ErgoMedic PLUS 40x48 Plysch Grå Seat ErgoMedic PLUS 40x48 Plush Grey
	5	ST203046 151463	Sits ErgoMedic PLUS 40x43 Plysch Grå Seat ErgoMedic PLUS 40x43 Plush Grey
	6	ST203546 151464	Sits ErgoMedic PLUS 40x39 Plysch Grå Seat ErgoMedic PLUS 40x39 Plush Grey
	7	ST204046 151467	Sits ErgoMedic PLUS 36x43 Plysch Grå Seat ErgoMedic PLUS 36x43 Plush Grey
	8	ST204546 151465	Sits ErgoMedic PLUS 36x39 Plysch Grå Seat ErgoMedic PLUS 36x39 Plush Grey
	9	ST205046 151466	Sits ErgoMedic PLUS 33x35 Plysch Grå Seat ErgoMedic PLUS 33x35 Plush Grey
	10	ST205546 151468	Sits ErgoMedic PLUS 29x32 Plysch Grå Seat ErgoMedic PLUS 29x32 Plush Grey

E01 Sits ErgoMedic PLUS Slow Recovery
Seat ErgoMedic Slow Recovery



E01	1	ST211546 156460	Sits EM PLUS Slow Recovery 44x48 Plysch Grå Seat EM PLUS Slow Recovery 44x48 Plush Grey
	2	ST211046 156461	Sits EM PLUS Slow Recovery 48x48 Plysch Grå Seat EM PLUS Slow Recovery 48x48 Plush Grey
	3	ST212046 156462	Sits EM PLUS Slow Recovery 44x43 Plysch Grå Seat EM PLUS Slow Recovery 44x43 Plush Grey
	4	ST212546 156469	Sits EM PLUS Slow Recovery 40x48 Plysch Grå Seat EM Slow PLUS Recovery 40x48 Plush Grey
	5	ST213046 156463	Sits EM PLUS Slow Recovery 40x43 Plysch Grå Seat EM PLUS Slow Recovery 40x43 Plush Grey
	6	ST213546 156464	Sits EM PLUS Slow Recovery 40x39 Plysch Grå Seat EM PLUS Slow Recovery 40x39 Plush Grey
	7	ST214046 156467	Sits EM PLUS Slow Recovery 36x43 Plysch Grå Seat EM PLUS Slow Recovery 36x43 Plush Grey
	8	ST214546 156465	Sits EM PLUS Slow Recovery 36x39 Plysch Grå Seat EM PLUS Slow Recovery 36x39 Plush Grey
	9	ST215046 156466	Sits EM PLUS Slow Recovery 33x35 Plysch Grå Seat EM PLUS Slow Recovery 33x35 Plush Grey

F01

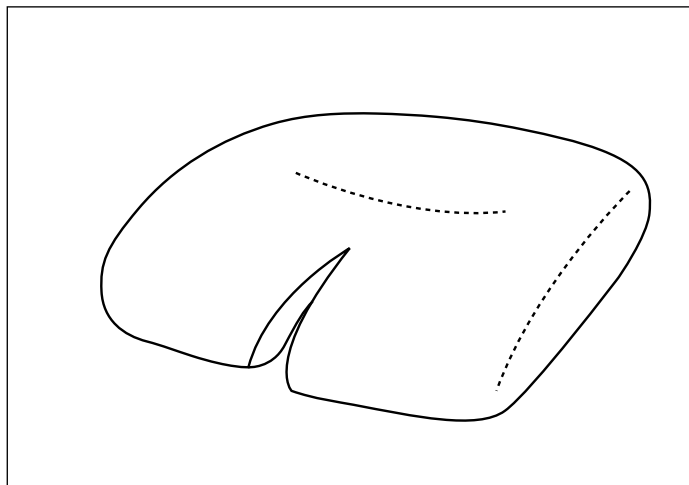


F01 803269 Skruvsats f montering av sittplatta
Screw kit for seat assembly

Stycklista – Sittplatta Coxit

Part list – Seat Coxit

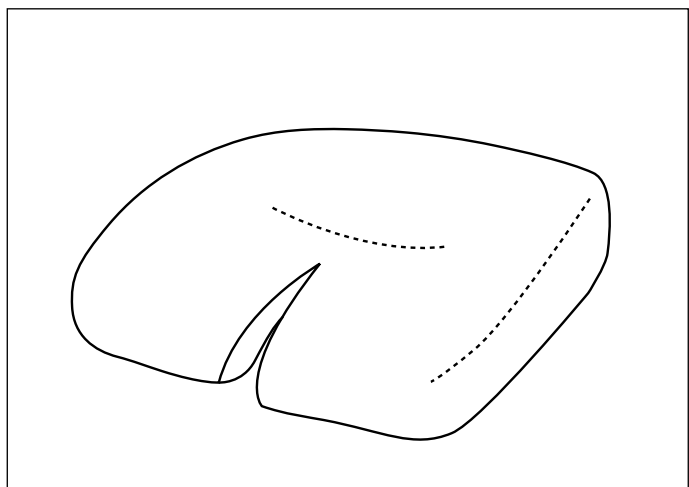
A01 Sits Coxit ErgoMedic
Seat Coxit ErgoMedic



Pos Art.nr Benämning
Pos Art.no Name

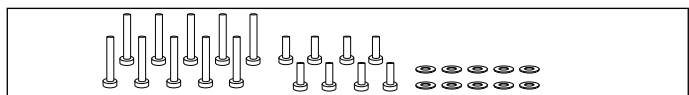
A01	1	ST131546 160460	Sits Coxit Int ErgoMedic 44x48 Plysch Grå Seat Coxit Int ErgoMedic 44x48 Plush Grey
	2	ST131046 160461	Sits Coxit Int ErgoMedic 48x48 Plysch Grå Seat Coxit Int ErgoMedic 48x48 Plush Grey
	3	ST132046 160462	Sits Coxit Int ErgoMedic 44x43 Plysch Grå Seat Coxit Int ErgoMedic 44x43 Plush Grey
	4	ST132546 160469	Sits Coxit Int ErgoMedic 40x48 Plysch Grå Seat Coxit Int ErgoMedic 40x48 Plush Grey
	5	ST133046 160463	Sits Coxit Int ErgoMedic 40x43 Plysch Grå Seat Coxit Int ErgoMedic 40x43 Plush Grey
	6	ST133546 160464	Sits Coxit Int ErgoMedic 40x39 Plysch Grå Seat Coxit Int ErgoMedic 40x39 Plush Grey

B01 Sits Coxit ErgoMedic Slow Recovery
Seat Coxit ErgoMedic Slow Recovery



B01	1	ST141546 165460	Sits Coxit Int ErgoMedic Slow 44x48 Plysch Grå Seat Coxit Int ErgoMedic Slow 44x48 Plush Grey
	2	ST141046 165461	Sits Coxit Int ErgoMedic Slow 48x48 Plysch Grå Seat Coxit Int ErgoMedic Slow 48x48 Plush Grey
	3	ST142046 165462	Sits Coxit Int ErgoMedic Slow 44x43 Plysch Grå Seat Coxit Int ErgoMedic Slow 44x43 Plush Grey
	4	ST142546 165469	Sits Coxit Int ErgoMedic Slow 40x48 Plysch Grå Seat Coxit Int ErgoMedic Slow 40x48 Plush Grey
	5	ST143046 165463	Sits Coxit Int ErgoMedic Slow 40x43 Plysch Grå Seat Coxit Int ErgoMedic Slow 40x43 Plush Grey
	6	ST143546 165464	Sits Coxit Int ErgoMedic Slow 40x39 Plysch Grå Seat Coxit Int ErgoMedic Slow 40x39 Plush Grey

C01

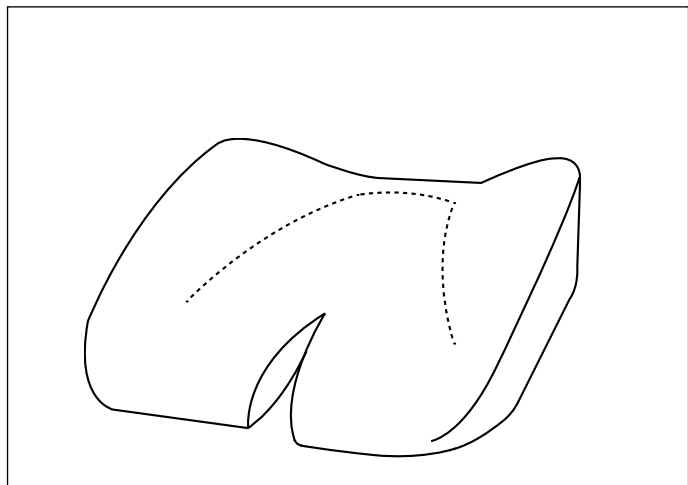


C01 [803269](#) Skruvsats f montering av sittplatta
Screw kit for seat assembly

Stycklista – Sittplatta Coxit

Part list – Seat Coxit

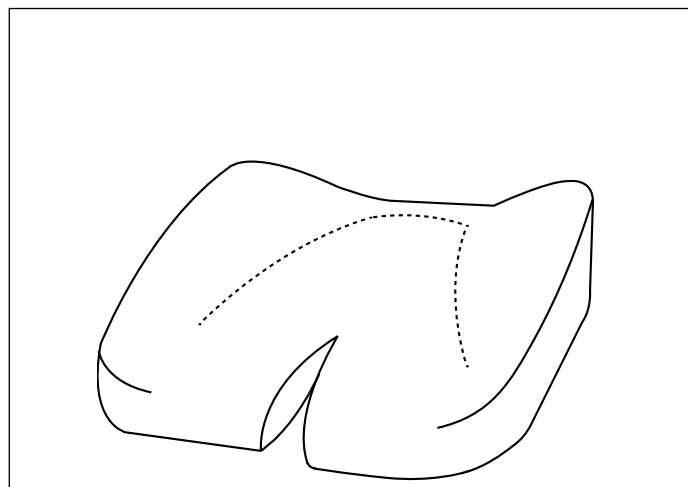
D01 Sits Coxit ErgoMedic PLUS
Seat Coxit ErgoMedic PLUS



Pos **Art.nr** **Benämning**
Pos Art.no Name

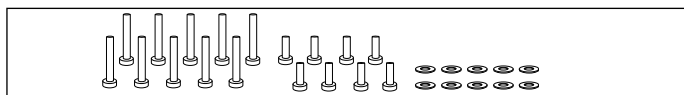
D01	1	ST231546 161460	Sits Coxit Int EM PLUS 44x48 Plysch Grå Seat Coxit Int EM PLUS 44x48 Plush Grey
	2	ST231046 161461	Sits Coxit Int EM PLUS 48x48 Plysch Grå Seat Coxit Int EM PLUS 48x48 Plush Grey
	3	ST232046 161462	Sits Coxit Int EM PLUS 44x43 Plysch Grå Seat Coxit Int EM PLUS 44x43 Plush Grey
	4	ST232546 161469	Sits Coxit Int EM PLUS 40x48 Plysch Grå Seat Coxit Int EM PLUS 40x48 Plush Grey
	5	ST233046 161463	Sits Coxit Int EM PLUS 40x43 Plysch Grå Seat Coxit Int EM PLUS 40x43 Plush Grey
	6	ST233546 161464	Sits Coxit Int EM PLUS 40x39 Plysch Grå Seat Coxit Int EM PLUS 40x39 Plush Grey

E01 Sits Coxit ErgoMedic PLUS Slow Recovery
Seat Coxit ErgoMedic PLUS Slow Recovery



E01	1	ST241546 166460	Sits Coxit Int EM PLUS Slow 44x48 Plysch Grå Seat Coxit Int EM PLUS Slow 44x48 Plush Grey
	2	ST241046 166461	Sits Coxit Int EM PLUS Slow 48x48 Plysch Grå Seat Coxit Int EM PLUS Slow 48x48 Plush Grey
	3	ST242046 166462	Sits Coxit Int EM PLUS Slow 44x43 Plysch Grå Seat Coxit Int EM PLUS Slow 44x43 Plush Grey
	4	ST242546 166469	Sits Coxit Int EM PLUS Slow 40x48 Plysch Grå Seat Coxit Int EM Slow PLUS 40x48 Plush Grey
	5	ST243046 166463	Sits Coxit Int EM PLUS Slow 40x43 Plysch Grå Seat Coxit Int EM PLUS Slow 40x43 Plush Grey
	6	ST243546 166464	Sits Coxit Int EM PLUS Slow 40x39 Plysch Grå Seat Coxit Int EM PLUS Slow 40x39 Plush Grey

F01

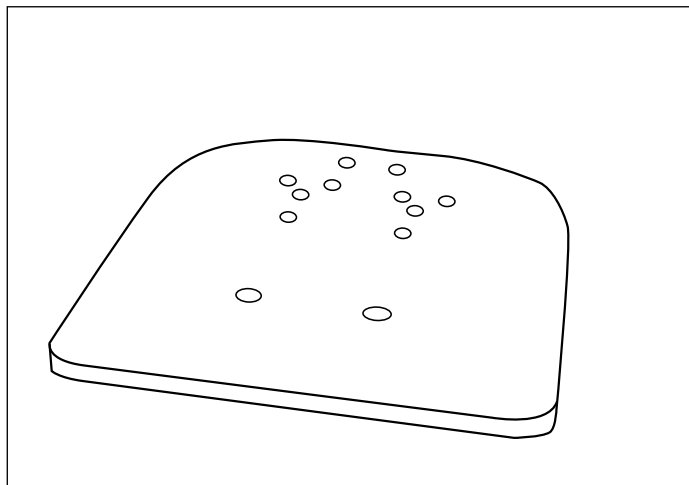


F01 [803269](#) Skruvsats f montering av sittplatta
Screw kit for seat assembly

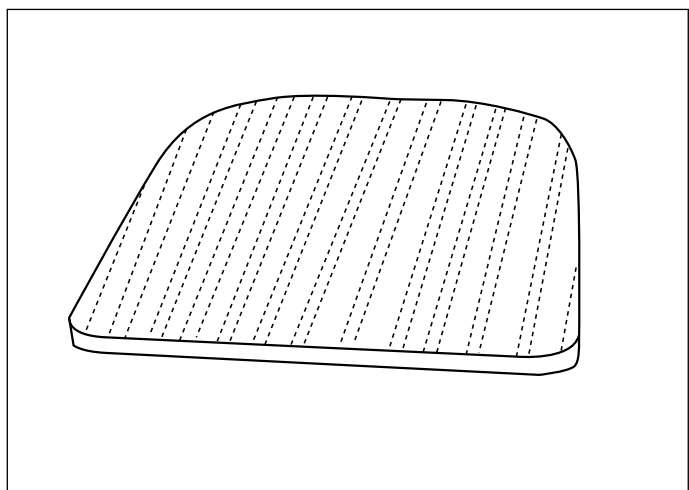
Stycklista – Sittplatta

Part list – Seat

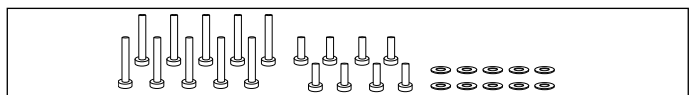
A01 Sittplatta endast träplatta
Seat woodenplate whitout fabric



B01 Sittplatta Träplatta med antiglid
Seat woodenplate with antiglide



C01



Pos Art.nr Benämning
Pos Art.no Name

Pos	Art.nr	Benämning
Pos	Art.no	Name
A01 1	ST101590 150900	Sits ErgoMedic 44x48 Träplatta u Stoppning Seat ErgoMedic 44x48 Woodenplate Without upholstery
2	ST101090 150901	Sits ErgoMedic 48x48 Träplatta u Stoppning Seat ErgoMedic 48x48 Woodenplate Without upholstery
3	ST102090 150902	Sits ErgoMedic 44x43 Träplatta u Stoppning Seat ErgoMedic 44x43 Woodenplate Without upholstery
4	ST102590 150909	Sits ErgoMedic 40x48 Träplatta u Stoppning Seat ErgoMedic 40x48 Woodenplate Without upholstery
5	ST103090 150903	Sits ErgoMedic 40x43 Träplatta u Stoppning Seat ErgoMedic 40x43 Woodenplate Without upholstery
6	ST103590 150904	Sits ErgoMedic 40x39 Träplatta u Stoppning Seat ErgoMedic 40x39 Woodenplate Without upholstery
7	ST104090 150907	Sits ErgoMedic 36x43 Träplatta u Stoppning Seat ErgoMedic 36x43 Woodenplate Without upholstery
8	ST104590 150905	Sits ErgoMedic 36x39 Träplatta u Stoppning Seat ErgoMedic 36x39 Woodenplate Without upholstery
9	ST105090 150906	Sits ErgoMedic 33x35 Träplatta u Stoppning Seat ErgoMedic 33x35 Woodenplate Without upholstery
10	ST105590 150908	Sits ErgoMedic 29x32 Träplatta u Stoppning Seat ErgoMedic 29x32 Woodenplate Without upholstery

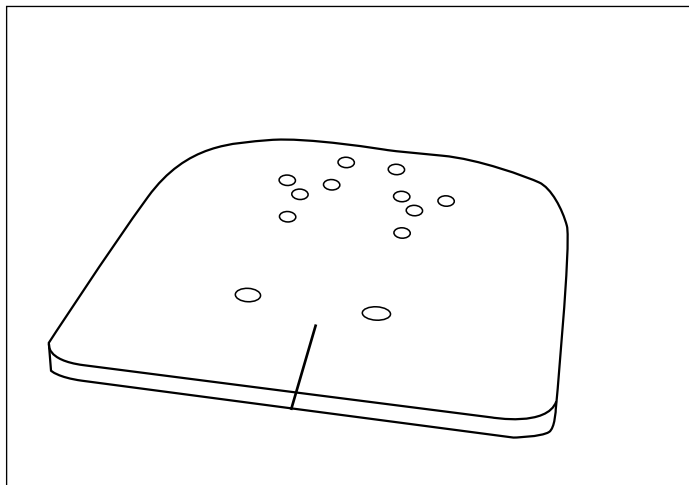
B01 1	ST101561 150610	Sits ErgoMedic 44x48 Antiglid matta Seat ErgoMedic 44x48 Antiglide
2	ST101061 150611	Sits ErgoMedic 48x48 Antiglid matta Seat ErgoMedic 48x48 Antiglide
3	ST102061 150612	Sits ErgoMedic 44x43 Antiglid matta Seat ErgoMedic 44x43 Antiglide
4	ST102561 150619	Sits ErgoMedic 40x48 Antiglid matta Seat ErgoMedic 40x48 Antiglide
5	ST103061 150613	Sits ErgoMedic 40x43 Antiglid matta Seat ErgoMedic 40x43 Antiglide
6	ST103561 150614	Sits ErgoMedic 40x39 Antiglid matta Seat ErgoMedic 40x39 Antiglide
7	ST104061 150617	Sits ErgoMedic 36x43 Antiglid matta Seat ErgoMedic 36x43 Antiglide
8	ST104561 150615	Sits ErgoMedic 36x39 Antiglid matta Seat ErgoMedic 36x39 Antiglide
9	ST105061 150616	Sits ErgoMedic 33x35 Antiglid matta Seat ErgoMedic 33x35 Antiglide
10	ST105561 150618	Sits ErgoMedic 29x32 Antiglid matta Seat ErgoMedic 29x32 Antiglide

C01 803269 Skruvsats f montering av sittplatta
Screw kit for seat assembly

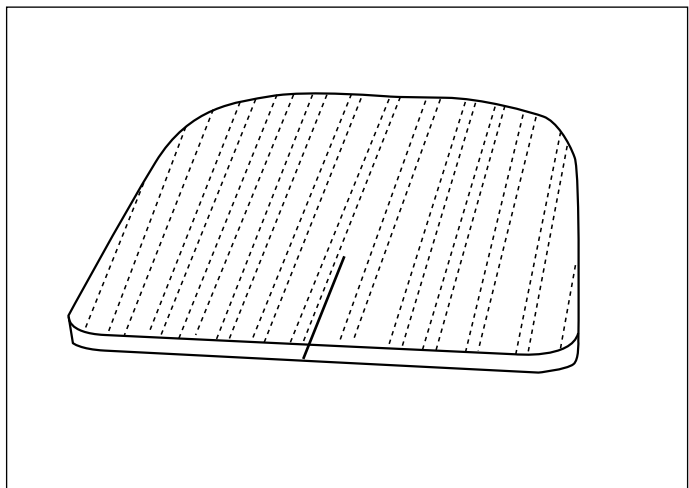
Stycklista – Sittplatta Coxit

Part list – Seat Coxit

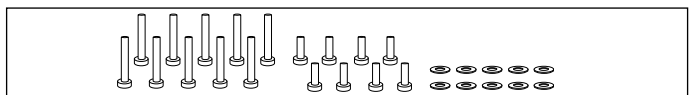
D01 Sittplatta Coxit endast träplatta
Seat Coxit woodenplate whitout fabric



E01 Sittplatta Träplatta Coxit med antiglid
Seat ErgoMedic Coxit with antiglide



F01



Pos Art.nr Benämning
Pos Art.no Name

Pos	Art.nr	Benämning
D01 1	ST131590 160900	Sits ErgoM Coxit 44x48 Träplatta u Stopning Seat ErgoM Coxit 44x48 Woodenplate Without fabric
2	ST131090 160901	Sits ErgoM Coxit 48x48 Träplatta u Stopning Seat ErgoM Coxit 48x48 Woodenplate Without fabric
3	ST132090 160902	Sits ErgoM Coxit 44x43 Träplatta u Stopning Seat ErgoM Coxit 44x43 Woodenplate Without fabric
4	ST132590 160909	Sits ErgoM Coxit 40x48 Träplatta u Stopning Seat ErgoM Coxit 40x48 Woodenplate Without fabric
5	ST133090 160903	Sits ErgoM Coxit 40x43 Träplatta u Stopning Seat ErgoM Coxit 40x43 Woodenplate Without fabric
6	ST133590 160904	Sits ErgoM Coxit 40x39 Träplatta u Stopning Seat ErgoM Coxit 40x39 Woodenplate Without fabric

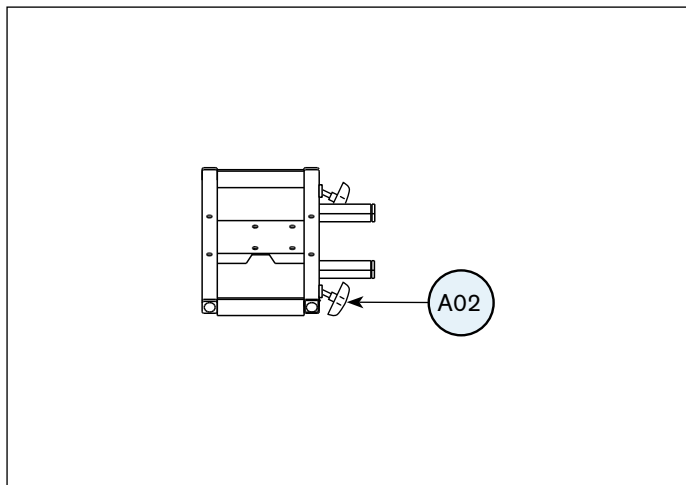
Pos	Art.nr	Benämning
E01 1	ST131561 160610	Sits ErgoMedic Coxit 44x48 Antiglid matta Seat ErgoMedic Coxit 44x48 Antiglide
2	ST131061 160611	Sits ErgoMedic Coxit 48x48 Antiglid matta Seat ErgoMedic Coxit 48x48 Antiglide
3	ST132061 160612	Sits ErgoMedic Coxit 44x43 Antiglid matta Seat ErgoMedic Coxit 44x43 Antiglide
4	ST132561 160619	Sits ErgoMedic Coxit 40x48 Antiglid matta Seat ErgoMedic Coxit 40x48 Antiglide
5	ST133061 160613	Sits ErgoMedic Coxit 40x43 Antiglid matta Seat ErgoMedic Coxit 40x43 Antiglide
6	ST133561 160614	Sits ErgoMedic Coxit 40x39 Antiglid matta Seat ErgoMedic Coxit 40x39 Antiglide

F01 803269 Skruvsats f montering av sittplatta
Screw kit for seat assembly

Stycklista – Sittkryss

Part list – Seatframe

A01 Sittkryss vinkelfast
Seatframe without angle adjustment

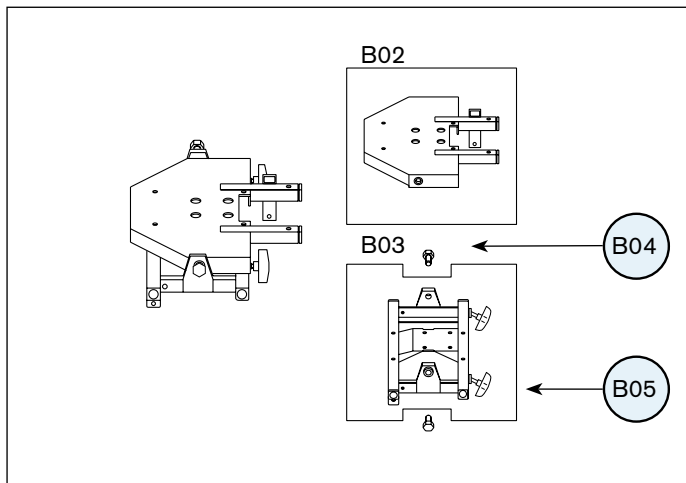


Pos Art.nr Benämning
Pos Art.no Name

A01	1	801231	Sittkryss 6100 Vf Br40-54 cm Seatframe 6100 without angle adjustment
	2	801378	Sittkryss 6100 Vf Br33-39 cm Seatframe 6100 without angle adjustment

A02 803005 Stjärnratt Plus M8x40 (Braga gummerad)
Gummed knob PLUS M8x40

B01 Sittkryss vinkelställbart
Angle adjustable seatframe



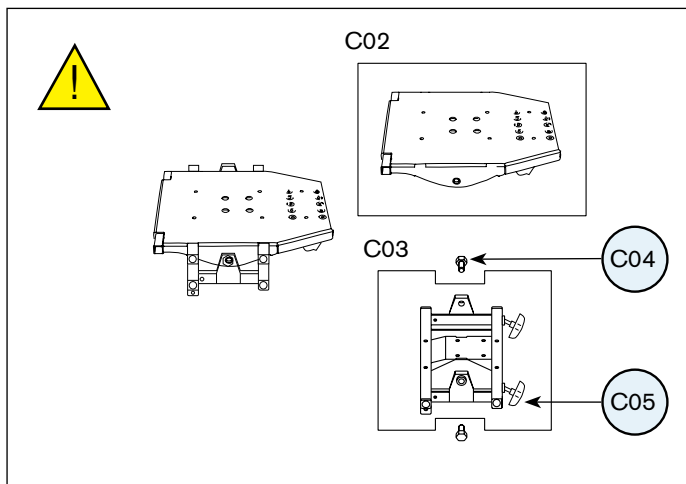
B01	1	804156	Sittkryssmekanism 6100 Vs Br40-54 cm (Vuxen) Seatframe 6100 angle adjustment width 40-54 cm
	2	804157	Sittkryssmekanism 6100 Vs Br33-39 cm (Barn) Seatframe 6100 angle adjustment width 33-39 cm
B02		801310	Sittkryss 6100 Vs Överdel Br33-54 cm (Mobil Barn/Vuxen) Seatframe 6100 angle adjustment width 33-54 cm

B03	1	801308	Sittkryss 61/6800 Vs Underdel Br40-54 cm (Mobil Vuxen) Seatframe 61/6800 angle adjustment width 40-54 cm
	2	801309	Sittkryss 6100 Vs Underdel Br33-39 cm (Mobil Barn) Seatframe 6100 angle adjustment width 33-39 cm

B04 801224 Lagerskruv vinkelställb.
Screw angle adjustable

B05 803005 Stjärnratt Plus M8x40 (Braga gummerad)
Gummed knob PLUS M8x40

C01 Sittkryss allvinkel
Allangle seatframe



C01	1	803072	Sittkryss 6100 Vs -15/+23 gr. Överd./Underd. Br40-54 cm Vuxen Seatframe 6100 adj. angle 15-23° upper/lower width 40-54 cm
	2	803073	Sittkryss 6100 Vs -15/+23 gr. Överd./Underd. Br33-39 cm Barn Seatframe 6100 adj. angle 15-23° upper/lower width 33-39 cm

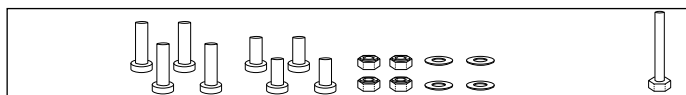
C02	1	802829	Sittkryss 6100 Vs -15/+23 gr. Överdel Br40-54 cm Vuxen Seatframe 6100 adj. angle 15/23° upperpart width 40-54 cm
	2	802830	Sittkryss 6100 Vs -15/+23 gr. Överdel Br33-39 cm Barn Seatframe 6100 adj. angle 15/23° upperpart width 33-39 cm

C03	1	801308	Sittkryss 61/6800 Vs Underdel Br40-54 cm (Vuxen) Seatframe 61/6800 angle adj. lower section width 40-54 cm
	2	801309	Sittkryss Vs Undre 6100 Br33-39 cm (Barn) Seatframe 6100 angle adj. lower section width 33-39 cm

C04 801224 Lagerskruv vinkelställb.
Screw angle adjustable

C05 803005 Stjärnratt Plus M8x40 (Braga gummerad)
Gummed knob PLUS M8x40

D01 Skruvsats för lyftomat
Screw kit for liftomat assembly

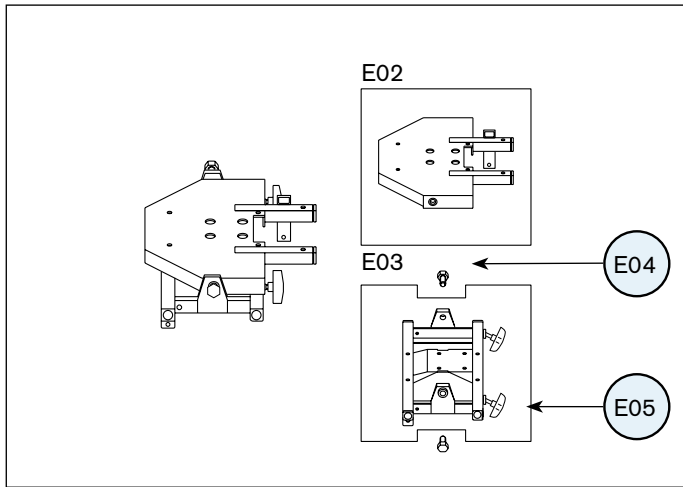


D01 803268 Skruvsats f montering av manuell eller el-lyftomat
Screw kit for liftomat assembly or electric liftomat

Stycklista – Sittkryss

Part list – Seatframe

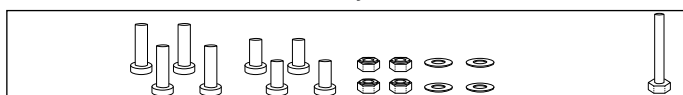
E01 Sittkryss vinkelställbart Mini
Angle adjustable seatframe Mini



Pos Art.nr Benämning
Pos Art.no Name

E01	600351	Sittkryss 6100 PLUS Mini kpl <i>Seatframe 6100 PLUS Mini</i>
E02	600352	Sittkryss 6100 PLUS Överdel Mini kpl <i>Seatframe 6100 PLUS upper part Mini</i>
E03	600353	Sittkryss 6100 PLUS Underdel Mini kpl <i>Seatframe 6100 PLUS lower part Mini</i>
E04	801224	Lagerskruv vinkelställbar <i>Screw angle adjustable</i>
E05	803005	Stjärnratt Plus M8x40 (Braga gummerad) <i>Gummed knob PLUS M8x40</i>

G01 Skruvsats för lyftomat
Screw kit for liftomat assembly

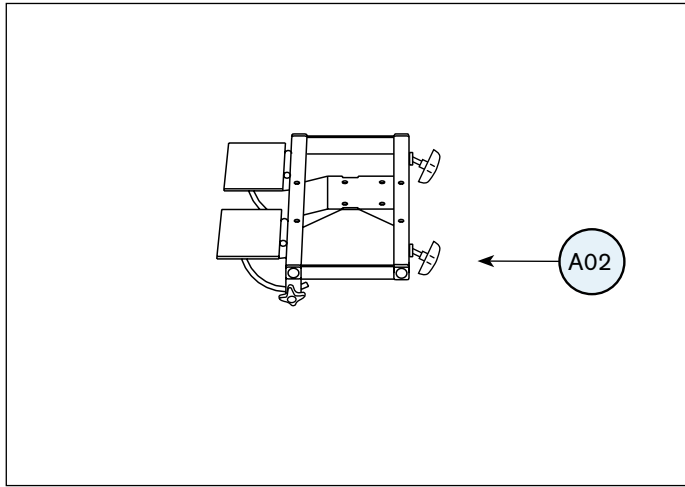


G01 803268 Skruvsats f montering av manuell eller el-lyftomat
Screw kit for liftomat assembly or electric liftomat

Stycklista – Sittkryss Coxit

Part list – Seatframe Coxit

A01 Sittkryss vinkelfast coxit
Seatframe coxit without angle adjustment

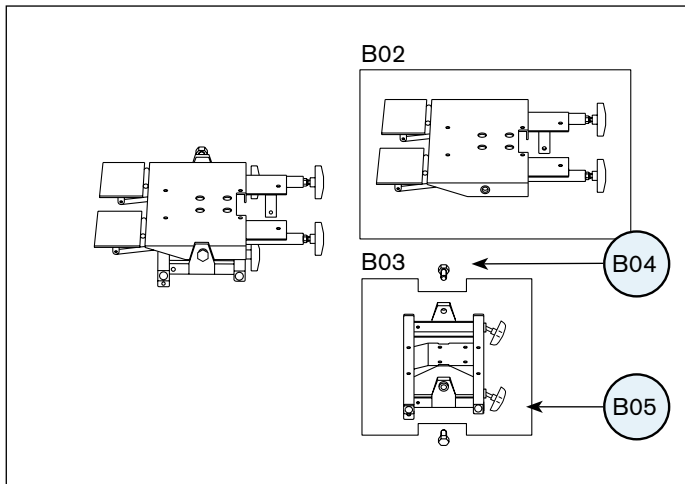


Pos	Art.nr	Benämning
Pos	Art.no	Name

A01	600240	Sittkryssmekanism 6800 Vf Br40-54 (Coxit) <i>Seatframe 68010 without angle adjustment 40-54 cm</i>
-----	--------	---

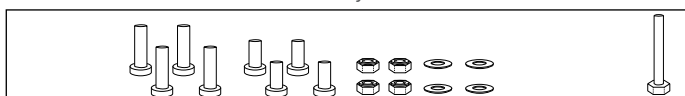
A02	803005	Stjärnratt Plus M8x40 (Braga gummerad) <i>Gummed knob PLUS M8x40</i>
-----	--------	---

B01 Sittkryss vinkelställbart coxit
Angle adjustable coxit seatframe



B01	600238	Sittkryssmekanism 6800 Vs Br40-54 cm (Coxit) <i>Seatframe 6800 angle adjustment width 40-54 cm</i>
-----	--------	---

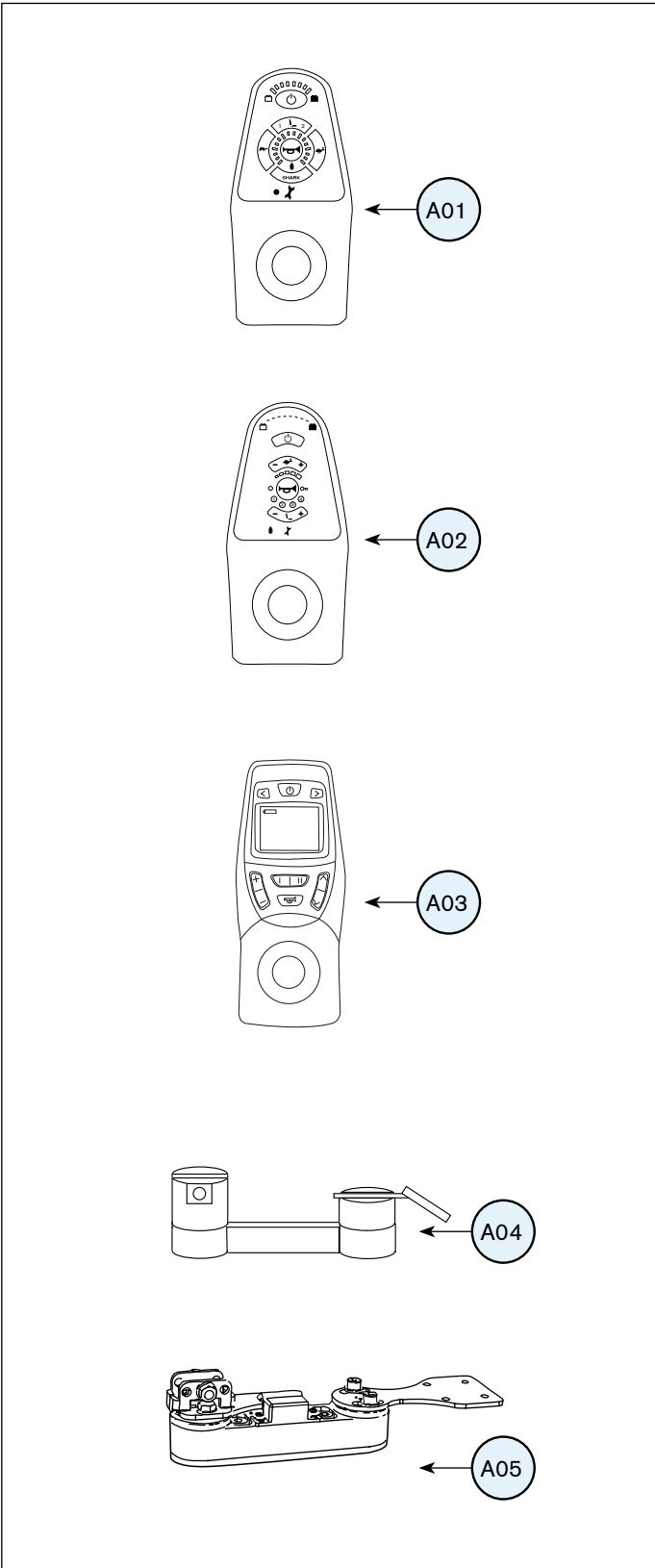
C01 Skruvsats för lyftomat
Screw kit for liftomat assembly



Stycklista – Manöverboxar

Part list – Control box

A

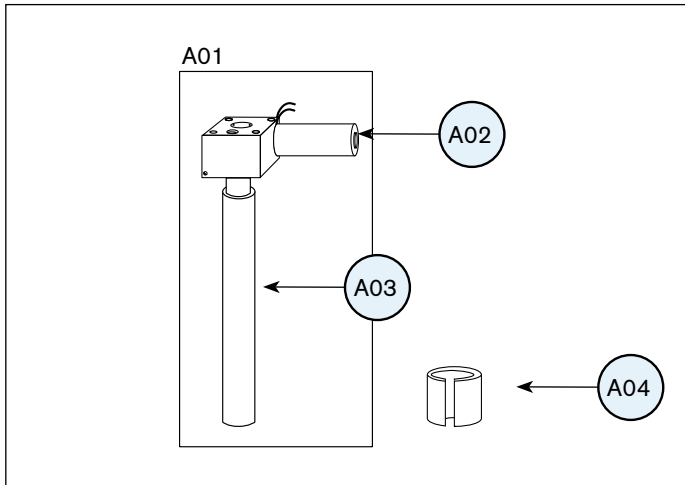


Pos	Art.nr	Benämning
Pos	Art.no	Name
A01	802881	Manöverbox Shark ser 4 Mobil 6100 <i>Remote Shark series 4</i>
A02	BOX1010	Manöverbox 6100 DX2 LED (DX2-REM 421) <i>Remote DX2 LED (DX2-REM 421)</i>
A03	BOX1020	Manöverbox 6100 DX2 LCD färg (DX2-REM550) <i>Remote DX2 LCD (DX2-REM550)</i>
A04	1 600175	Manöverarm 6100 115 mm kpl. f DX <i>Operating arm 6100 115 mm cpl.</i>
	2 600176	Manöverarm 6100 95 mm kpl. f DX <i>Operating arm 6100 95 mm cpl. DX</i>
	3 600279	Manöverarm 6100 115 mm kpl. f SHARK <i>Operating arm 6100 115 mm cpl. SHARK</i>
	4 600280	Manöverarm 6100 95 mm kpl. f SHARK <i>Operating arm 6100 95 mm cpl. SHARK</i>
A05	1 OA1031	ParaLoc enkel t manöverbox DX2 f Real 6100, hö <i>ParaLoc, right</i>
	2 OA1032	ParaLoc enkel t manöverbox DX2 f Real 6100, vä <i>ParaLoc, left</i>

Stycklista – Ellyftomat

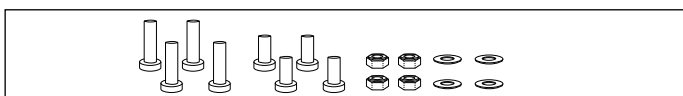
Part list – Ellyftomat

A Utan rotation
Without rotation



Pos	Art.nr	Benämning
Pos	Art.no	Name
A01 1	600178	Ellyftomat 20 cm Mobil ser.3/4 inkl.kontakt mm <i>Electric height adjustment 20 cm</i>
2	600367	Ellyftomat 20 cm Mobil ser.3/4 kort motor inkl.kontakt mm <i>Electric height adjustment 20 cm, incl motor</i>
3	600177	Ellyftomat 28cm Mobil ser.3/4 inkl.kontakt mm <i>Electric height adjustment 28 cm</i>
4	600368	Ellyftomat 28cm Mobil ser.3/4 kort motor inkl.kontakt mm <i>Electric height adjustment 28 cm, incl motor</i>
A02 1	803607	Motor M48x50 24V Kort motor (F minikryss) <i>Motor M48x50 24V</i>
2	800272	Motor M48x50 24V 5500rpm <i>Motor M48x50 24V 5500rpm</i>
A03 1	802532	Ytterrör+Spårrör+Kil linjärstyrning 280 Mobil <i>Outer tube+track tube 280 Mobile</i>
2	802525	Ytterrör+Spårrör+Kil linjärstyrning 200 Mobil <i>Outer tube+track tube 200 Mobile</i>
A04	600385	Klämförbands hylsa aluminium <i>Inset for Electric liftomat clamps lining</i>

D01 Skruvsats för lyftomat
Screw kit for liftomat assembly

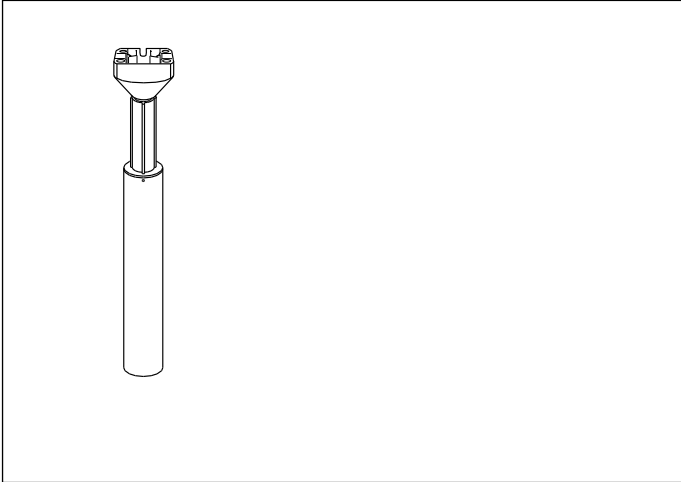


D01 803268 Skruvsats f montering av manuell eller el-lyftomat
Screw kit for liftomat assembly or electric liftomat

Stycklista – Fixlyftomat

Part list – Fixlyftomat

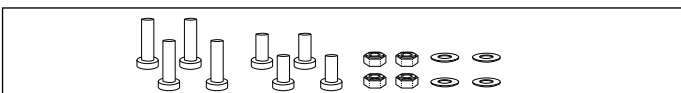
E01 Fixlyftomat
Fixliftomat



Pos	Art.nr	Benämning
Pos	Art.no	Name

E01	1	803987	Fixlyftomat 200mm 55-90 kg tryck m Alufäste <i>Fixliftomat 200mm 55-90 kg with aluminium grip</i>
	2	803985	Fixlyftomat 200mm <55 kg tryck m Alufäste <i>Fixliftomat 200mm <55 kg with aluminium grip</i>
	3	803989	Fixlyftomat 200mm 90-130 kg tryck m Alufäste <i>Fixliftomat 200mm 90-130 kg with aluminium grip</i>
	4	803981	Fixlyftomat 140mm 55-90 kg tryck m Alufäste <i>Fixliftomat 140mm 55-90 kg with aluminium grip</i>
	5	803979	Fixlyftomat 140mm <55 kg tryck m Alufäste <i>Fixliftomat 140mm <55 kg with aluminium grip</i>
	6	803983	Fixlyftomat 140mm 90-130 kg tryck m Alufäste <i>Fixliftomat 140mm 90-130 kg with aluminium grip</i>

H01 Skruvsats för lyftomat
Screw kit for liftomat assembly

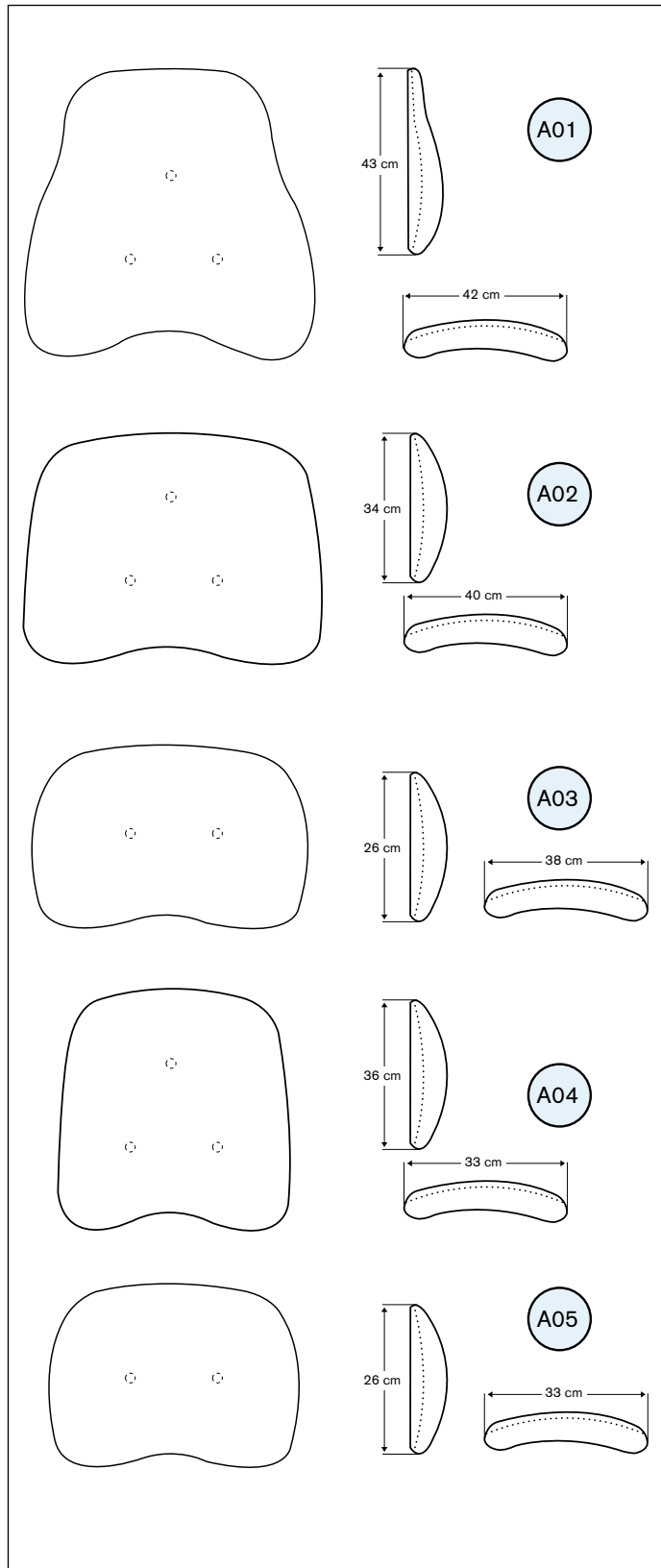


H01	803268	Skruvsats f montering av manuell eller el-lyftomat <i>Screw kit for liftomat assembly or electric liftomat</i>
-----	------------------------	---

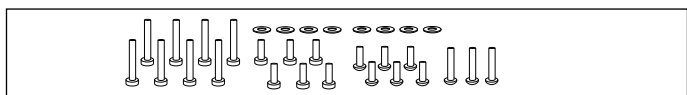
Stycklista – Ryggplatta

Part list – Backrest

A Ryggar ErgoMedic
Backrest ErgoMedic



B01 Skruvsats för montering av rygg och ryggfällning
Screw kit for backrest assembly



Pos Art.nr Benämning
Pos Art.no Name

A01 1 BR101546 Rygg ErgoMedic 42x43 Plysch Grå
210468 Backrest ErgoMedic 42x43 Plush Grey

2 BR111546 Rygg ErgoMedic 42x43 Plysch Grå Slowrec.
215468 Back ErgoMedic 42x43 Plush Grey Slowrec.

A02 1 BR103046 Rygg ErgoMedic 40x34 Plysch Grå
210461 Backrest ErgoMedic 40x34 Plush Grey

2 BR303046 Rygg ErgoM. f bålstöd 40x34 Plysch Grå
211461 Backr. ErgoM. trunks. 40x34 Plush Grey

3 BR113046 Rygg ErgoMedic 40x34 Plysch Grå Slowrec.
215461 Back ErgoMedic 40x34 Plush Grey Slowrec.

4 BR313046 Rygg ErgoM. f bålstöd 40x34 Plysch Grå Slowrec.
216461 Backr. ErgoM. trunks. 40x34 Plush Grey Slowrec.

A03 1 BR105546 Rygg ErgoMedic 38x26 Plysch Grå
210460 Backrest ErgoMedic 38x26 Plush Grey

2 BR115546 Rygg ErgoMedic 38x26 Plysch Grå Slowrec.
215460 Back ErgoMedic 38x26 Plush Grey Slowrec.

A04 1 BR102546 Rygg ErgoMedic 33x36 Plysch Grå
210463 Backrest ErgoMedic 33x36 Plush Grey

2 BR112546 Rygg ErgoMedic 33x36 Plysch Grå Slowrec.
215463 Back ErgoMedic 33x36 Plush Grey Slowrec.

A05 1 BR106046 Rygg ErgoMedic 33x26 Plysch Grå
210462 Backrest ErgoMedic 33x26 Plush Grey

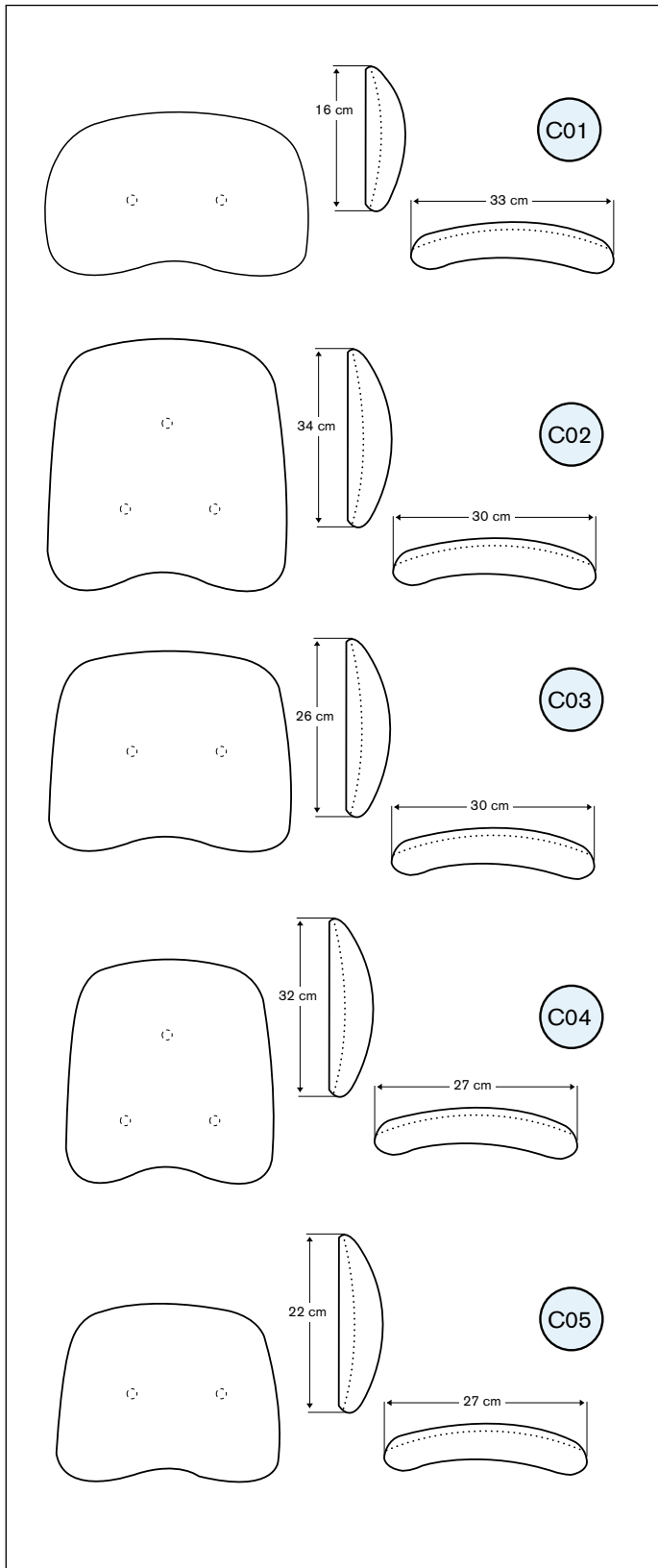
2 BR116046 Rygg ErgoMedic 33x26 Plysch Grå Slowrec.
215462 Back ErgoMedic 33x26 Plush Grey Slowrec.

B01 803270 Skruvsats f montering av rygg och ryggfällning
Screw kit for backrest assembly

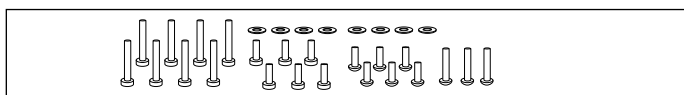
Stycklista – Ryggplatta

Part list – Backrest

C Ryggar ErgoMedic
Backrest ErgoMedic



D01 Skruvsats för montering av rygg och ryggfällning
Screw kit for backrest assembly



Pos Art.nr Benämning
Pos Art.no Name

C01 **BR109046** Magplatta/Rygg Classic 33x16 Plysch Grå
230461 Stomach support/Backrest Classic 33x16 Plush Grey

C02 1 **BR103546** Rygg ErgoMedic 30x34 Plysch Grå
210465 Backrest ErgoMedic 30x34 Plush Grey
2 **BR113546** Rygg ErgoMedic 30x34 Plysch Grå Slowrec.
215465 Back ErgoMedic 30x34 Plush Grey Slowrec.

C03 1 **BR106546** Rygg ErgoMedic 30x26 Plysch Grå
210464 Backrest ErgoMedic 30x26 Plush Grey
2 **BR116546** Rygg ErgoMedic 30x26 Plysch Grå Slowrec.
215464 Back ErgoMedic 30x26 Plush Grey Slowrec.

C04 1 **BR104546** Rygg ErgoMedic 27x32 Plysch Grå
210467 Backrest ErgoMedic 27x32 Plush Grey
2 **BR114546** Rygg ErgoMedic 27x32 Plysch Grå Slowrec.
215467 Back ErgoMedic 27x32 Plush Grey Slowrec.

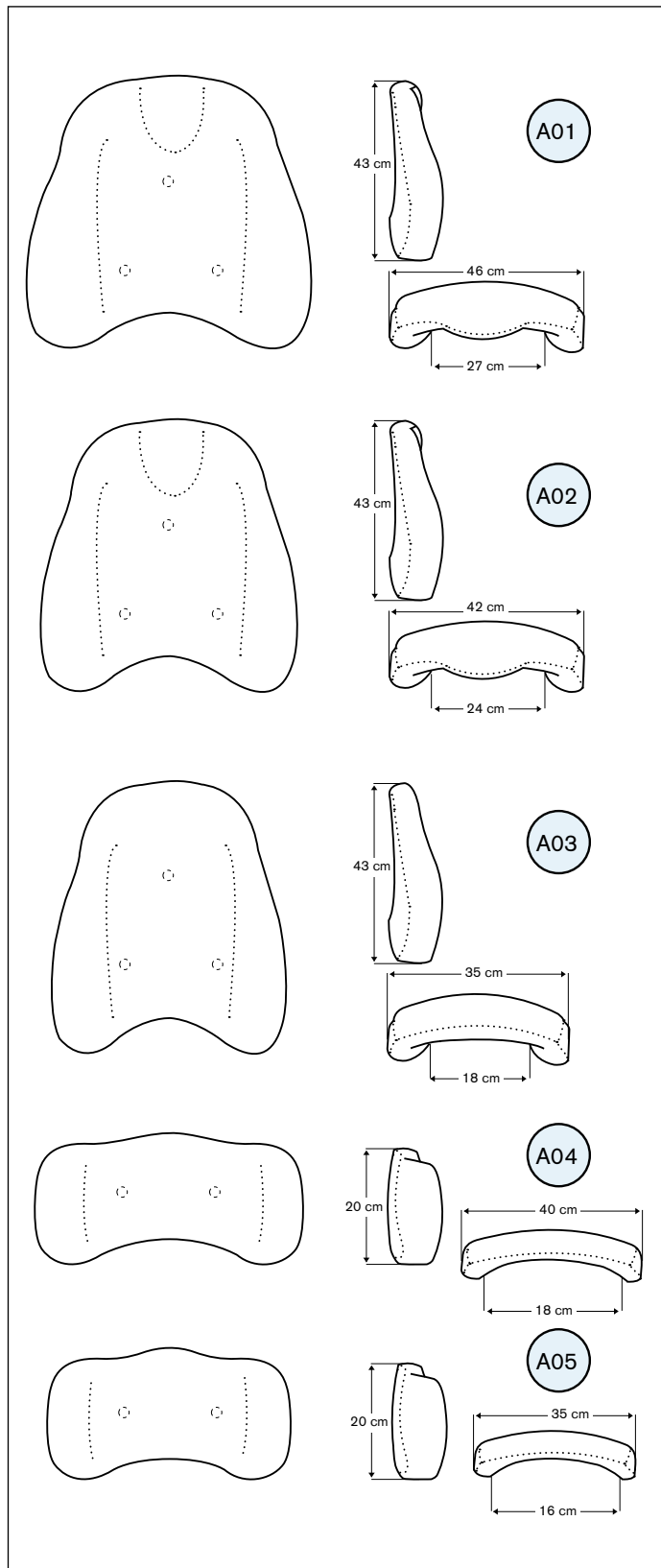
C05 1 **BR107046** Rygg ErgoMedic 27x22 Plysch Grå
210466 Backrest ErgoMedic 27x22 Plush Grey
2 **BR117046** Rygg ErgoMedic 27x22 Plysch Grå Slowrec.
215466 Back ErgoMedic 27x22 Plush Grey Slowrec.

D01 **803270** Skruvsats f montering av rygg och ryggfällning
Screw kit for backrest assembly

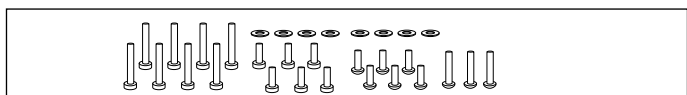
Stycklista – Ryggplatta

Part list – Backrest

A Ryggar ErgoMedic PLUS
Backrest ErgoMedic PLUS



B01 Skruvsats för montering av rygg och ryggfällning
Screw kit for backrest assembly



Pos Art.nr Benämning
Pos Art.no Name

A01 1 BR201046 Rygg ErgoMedic PLUS 46x43 Plysch Grå
251469 Backrest ErgoMedic PLUS 46x43 Plush Grey
2 BR221046 Rygg ErgoMedic PLUS 46x43 Plysch Grå Slowrec.
256469 Back ErgoMedic PLUS 46x43 Plush Grey Slowrec.

A02 1 BR201546 Rygg ErgoMedic PLUS 42x43 Plysch Grå
251468 Backrest ErgoMedic PLUS 42x43 Plush Grey
2 BR221546 Rygg ErgoMedic PLUS 42x43 Plysch Grå Slowrec.
256468 Back ErgoMedic PLUS 42x43 Plush Grey Slowrec.

A03 1 BR202046 Rygg ErgoMedic PLUS 35x43 Plysch Grå
251463 Backrest ErgoMedic PLUS 35x43 Plush Grey
2 BR222046 Rygg ErgoMedic PLUS 35x43 Plysch Grå Slowrec.
256463 Back ErgoMedic PLUS 35x43 Plush Grey Slowrec.

A04 1 BR207546 Rygg ErgoMedic PLUS 40x20 Plysch Grå
251460 Backrest ErgoMedic PLUS 40x20 Plush Grey
2 BR227546 Rygg ErgoMedic PLUS 40x20 Plysch Grå Slowrec.
256460 Back ErgoMedic PLUS 40x20 Plush Grey Slowrec.

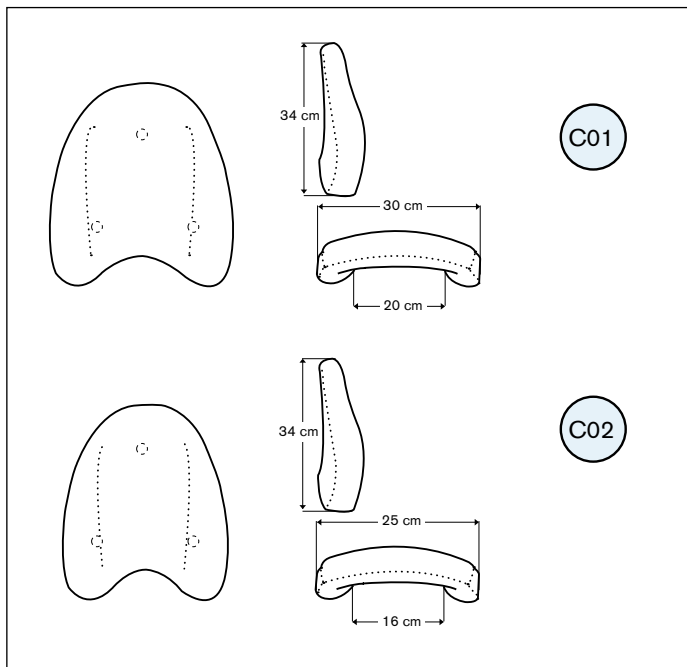
A05 1 BR208046 Rygg ErgoMedic PLUS 35x20 Plysch Grå
251462 Backrest ErgoMedic PLUS 35x20 Plush Grey
2 BR228046 Rygg ErgoMedic PLUS 35x20 Plysch Grå Slowrec.
256462 Back ErgoMedic PLUS 35x20 Plush Grey Slowrec.

B01 803270 Skruvsats f montering av rygg och ryggfällning
Screw kit for backrest assembly

Stycklista – Ryggplatta

Part list – Backrest

C Ryggar ErgoMedic PLUS
Backrest ErgoMedic PLUS



Pos	Art.nr	Benämning
Pos	Art.no	Name

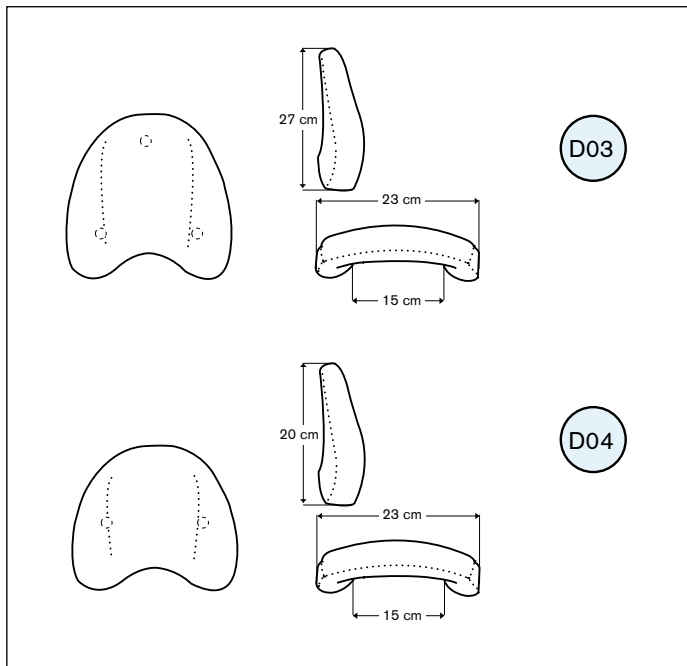
C01	1	BR203546 Rygg ErgoMedic PLUS 30x34 Plysch Grå 251465 Backrest ErgoMedic PLUS 30x34 Plush Grey
	2	BR223546 Rygg ErgoMedic 30x34 Plysch Grå Slowrec. 256465 Back ErgoMedic 30x34 Plush Grey Slowrec.

C02	1	BR204046 Rygg ErgoMedic PLUS 25x34 Plysch Grå 251464 Backrest ErgoMedic PLUS 25x34 Plush Grey
	2	BR224046 Rygg ErgoMedic 25x34 Plysch Grå Slowrec. 256464 Back ErgoMedic 25x34 Plush Grey Slowrec.

Stycklista - Ryggplatta

Part list - Backrest

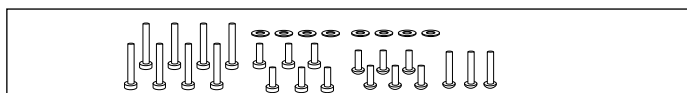
D Ryggar ErgoMedic
Backrest ErgoMedic



D03	BR105046 Rygg ErgoMedic 23x27 Plysch Grå 213461 Backrest ErgoMedic 23x27 Plush Grey
-----	---

D04	BR108546 Rygg ErgoMedic 23x20 Plysch Grå 213460 Backrest ErgoMedic 23x20 Plush Grey
-----	---

E01 Skruvsats för montering av rygg och ryggfällning
Screw kit for backrest assembly

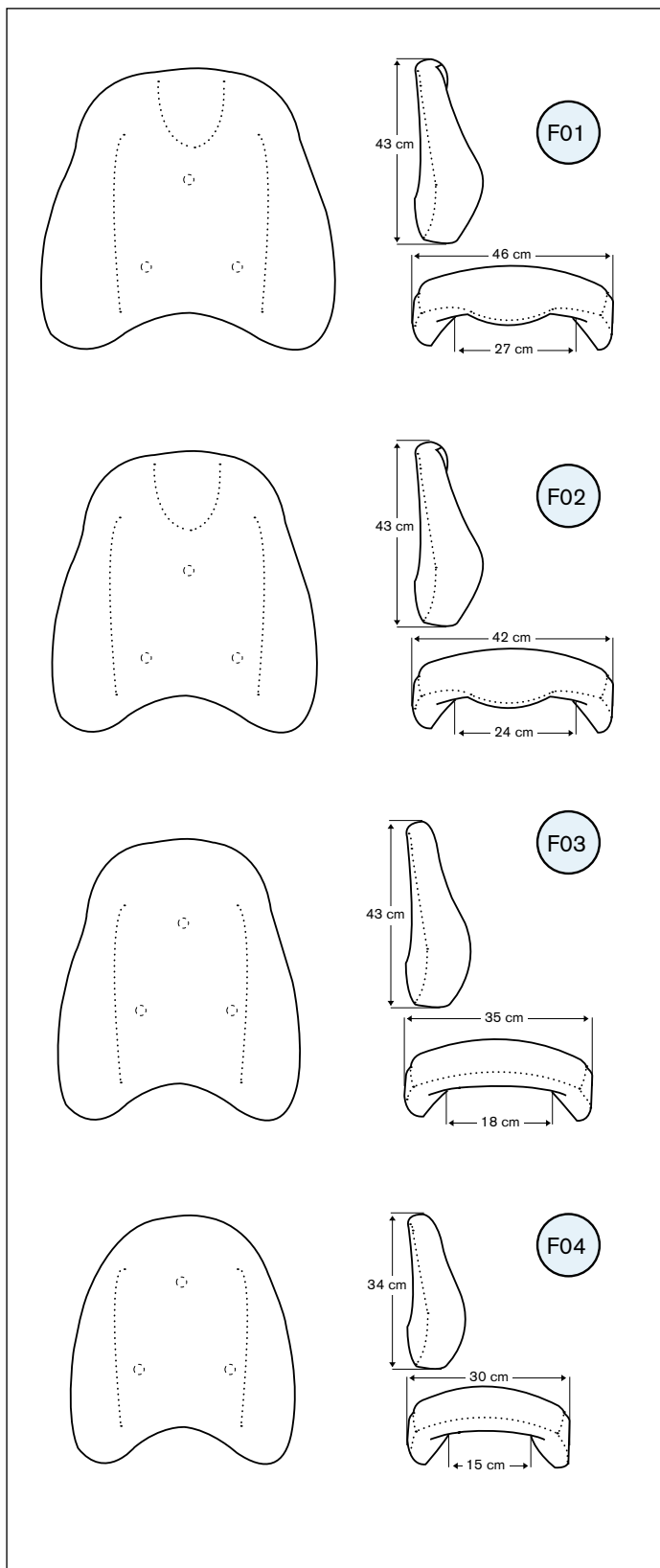


E01	803270 Skruvsats f montering av rygg och ryggfällning Screw kit for backrest assembly
-----	---

Stycklista – Ryggplatta

Part list – Backrest

F Ryggar ErgoMedic PLUS med sidokil
Backrest ErgoMedic PLUS with wedge



Pos Art.nr Benämning
Pos Art.no Name

F01 1 **BR251046** Rygg EM PLUS m Sidokil 46x43 Plysch Grå
252469 Backrest EM PLUS w sidewedge 46x43 Plush Grey
2 **BR351046** Rygg EM PLUS med förstärkt Sidokil 46x43 cm Plysch Grå
257469 Backrest EM PLUS w reinforced sidewedge 46x43 Plush Grey

F02 1 **BR251546** Rygg EM PLUS m Sidokil 42x43 Plysch Grå
252468 Backrest EM PLUS w sidewedge 42x43 Plush Grey
2 **BR351546** Rygg EM PLUS med förstärkt Sidokil 42x43 cm Plysch Grå
257468 Backrest EM PLUS w reinforced sidewedge 42x43 Plush Grey

F03 1 **BR252046** Rygg EM PLUS m Sidokil 35x43 Plysch Grå
252463 Backrest EM PLUS w sidewedge 35x43 Plush Grey
2 **BR352046** Rygg EM PLUS med förstärkt Sidokil 35x43 cm Plysch Grå
257463 Backrest EM PLUS w reinforced sidewedge 35x43 Plush Grey

F04 **BR253546** Rygg EM PLUS m Sidokil 30x34 Plysch Grå
252465 Backrest EM PLUS w sidewedge 30x34 Plush Grey

G01 Skruvsats för montering av rygg och ryggfällning
Screw kit for backrest assembly

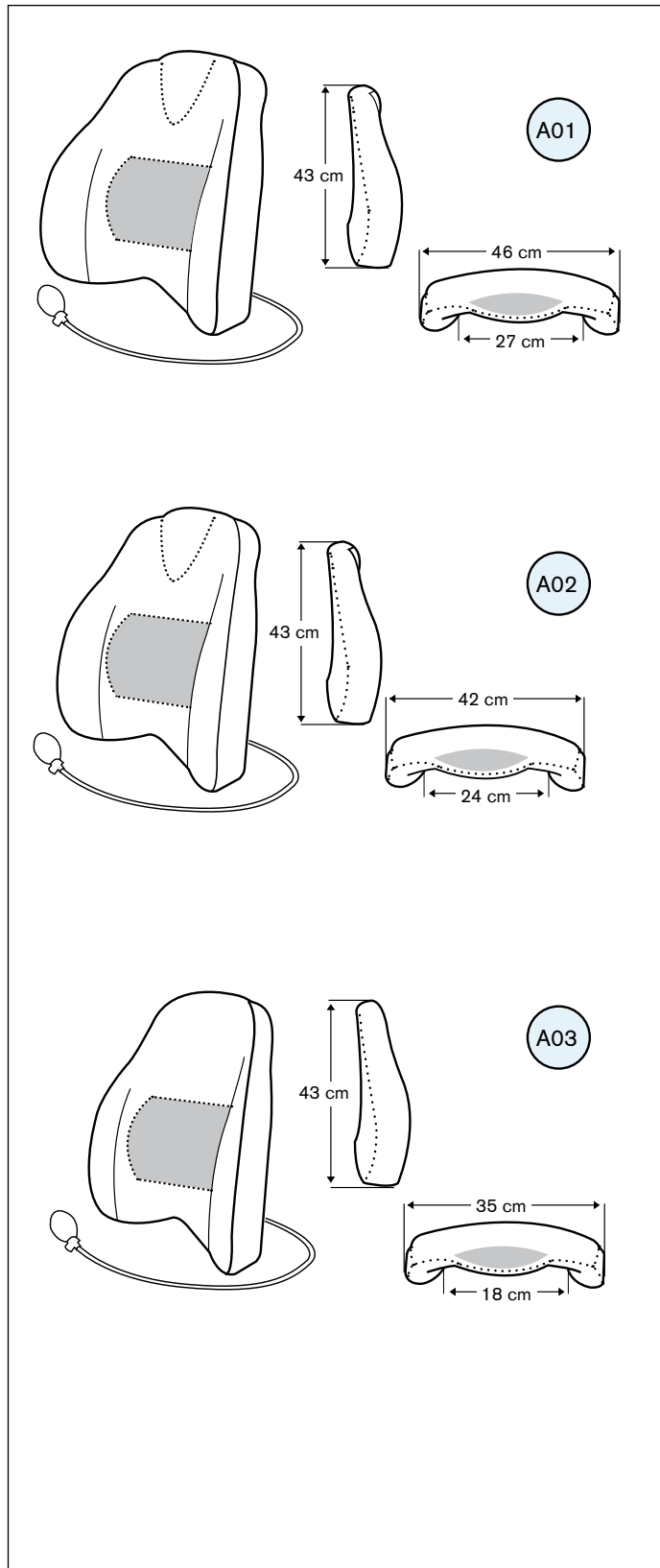


G01 **803270** Skruvsats f montering av rygg och ryggfällning
Screw kit for backrest assembly

Stycklista – Ryggplatta

Part list – Backrest

A Ryggar ErgoMedic PLUS Comfort
Backrest ErgoMedic PLUS comfort



B01 Skruvsats för montering av rygg och ryggfällning
Screw kit for backrest assembly



Pos Art.nr Benämning
Pos Art.no Name

A01 BR211046 Rygg ErgoMedic PLUS 46x43 Comfort Plysch Grå
254469 Backrest ErgoMedic PLUS 46x43 Comfort Grey Plush

A02 BR211546 Rygg ErgoMedic PLUS 42x43 Comfort Plysch Grå
254468 Backrest ErgoMedic PLUS 42x43 Comfort Grey Plush

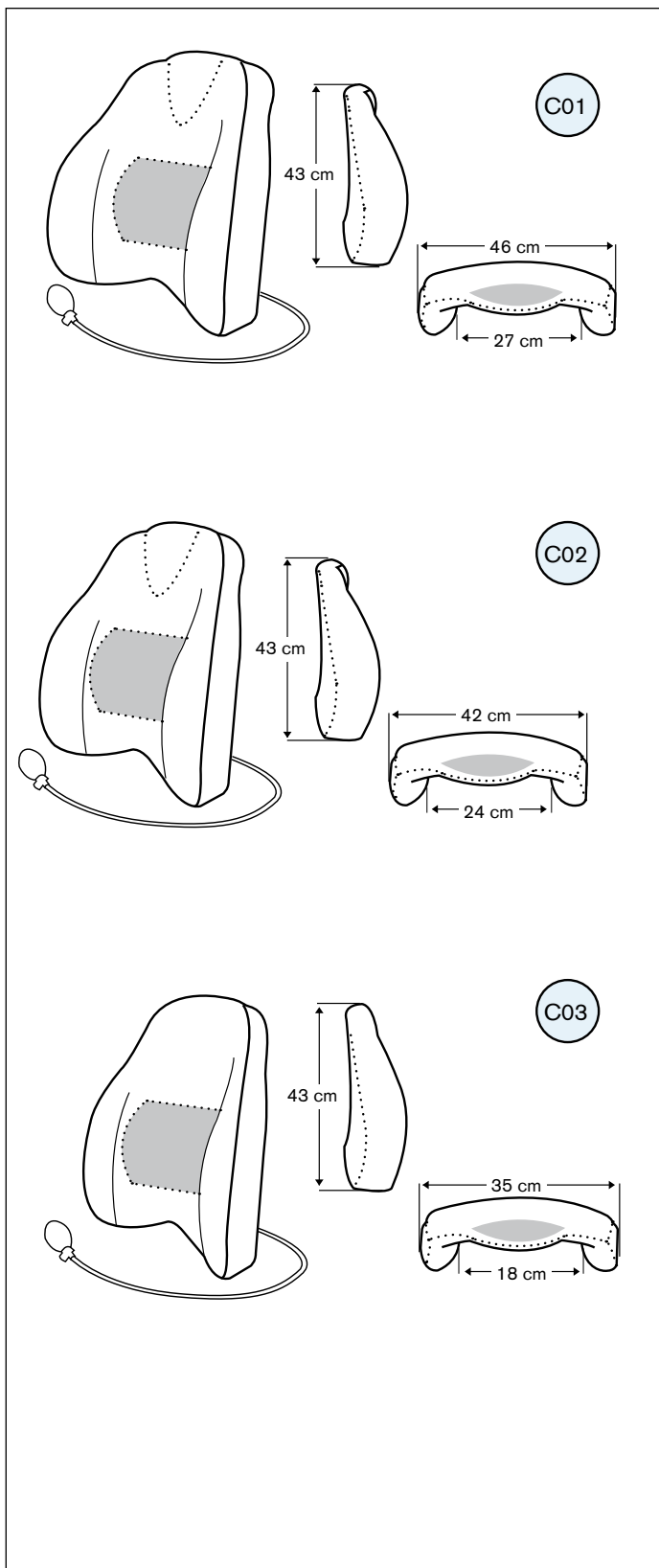
A03 BR212046 Rygg ErgoMedic PLUS 35x43 Comfort Plysch Grå
254463 Backrest ErgoMedic PLUS 35x43 Comfort Grey Plush

B01 803270 Skruvsats f montering av rygg och ryggfällning
Screw kit for backrest assembly

Stycklista – Ryggplatta

Part list – Backrest

C Ryggar ErgoMedic PLUS Comfort med sidokil
Backrest ErgoMedic PLUS Comfort with wedge



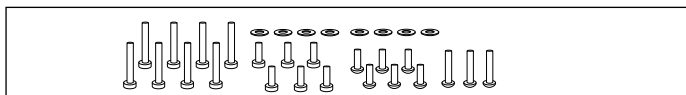
Pos Art.nr Benämning
Pos Art.no Name

Pos	Art.nr	Benämning
C01 1	BR261046 255469	Rygg EM PLUS m Sidokil 46x43 Comfort Plysch Grå Backrest EM PLUS w Sidewedge 46x43 Comfort Grey Plush
2	BR361046 258469	Rygg EM PLUS med förstärkt Sidokil 46x43 cm Comfort Plysch Grå Backrest EM PLUS w reinforced wedge Comfort 46x43

C02 1	BR261546 255468	Rygg EM PLUS m Sidokil 42x43 Comfort Plysch Grå Backrest EM PLUS w Sidewedge 42x43 Comfort Grey Plush
2	BR361546 258468	Rygg EM PLUS med förstärkt Sidokil 42x43 cm Comfort Plysch Grå Backrest EM PLUS w reinforced wedge Comfort 42x43

C03 1	BR262046 255463	Rygg EM PLUS m Sidokil 35x43 Comfort Plysch Grå Backrest EM PLUS w Sidewedge 35x43 Comfort Grey Plush
2	BR362046 258463	Rygg EM PLUS med förstärkt Sidokil 35x43 cm Plysch Grå Backrest EM PLUS w reinforced wedge Comfort 35x43

D01 Skruvsats för montering av rygg och ryggfällning
Screw kit for backrest assembly

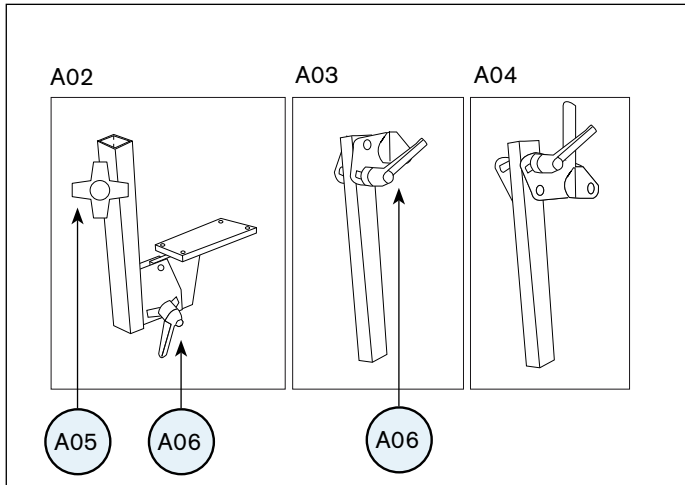


D01 803270 Skruvsats f montering av rygg och ryggfällning
Screw kit for backrest assembly

Stycklista – Ryggmekanism Standard, EL & Comfort

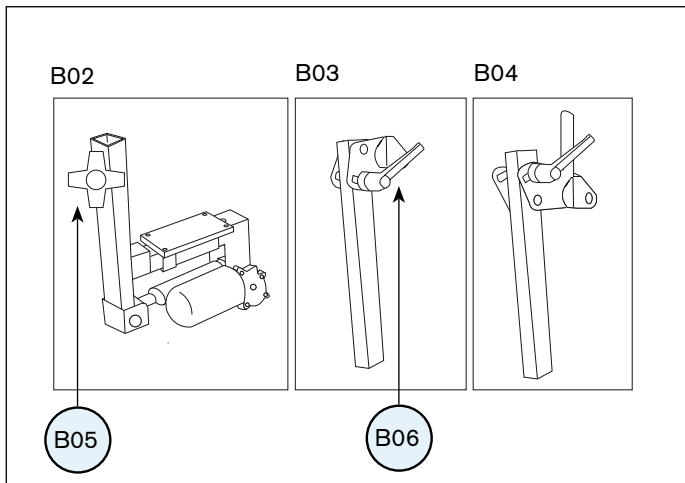
Part list – Backrest mechanism

A01 Standard ErgoMedic Standard ErgoMedic



Pos	Art.nr	Benämning
Pos	Art.no	Name
A01	1	BRM1000 Ryggmekanism Standard ErgoMedic Låg rygg 801748 Backrest adjustment Standard ErgoMedic Low back
	2	BRM4000 Ryggmekanism Standard ErgoMedic Hög rygg 801747 Backrest adjustment Standard ErgoMedic High back
A02		800842 Ryggfällning Std. Cla/ErgoM Backrest mechanism Std.Cla/ErgoM
A03		801265 Ryggstolpe Standard. ErgoMedic Låg rygg Back pole Std Cla/ ErgoMedic Low back
A04		800841 Ryggstolpe Standard ErgoMedic Hög rygg Back pole Standard ErgoMedic High back
A05		803004 Stjärnratt Plus M8x20 (braga gummerad) Gummed knob M8x20 PLUS
A06		803006 Låsspak Plus M8 (inv gänga) (braga gummerad) Gummed handle M8 PLUS

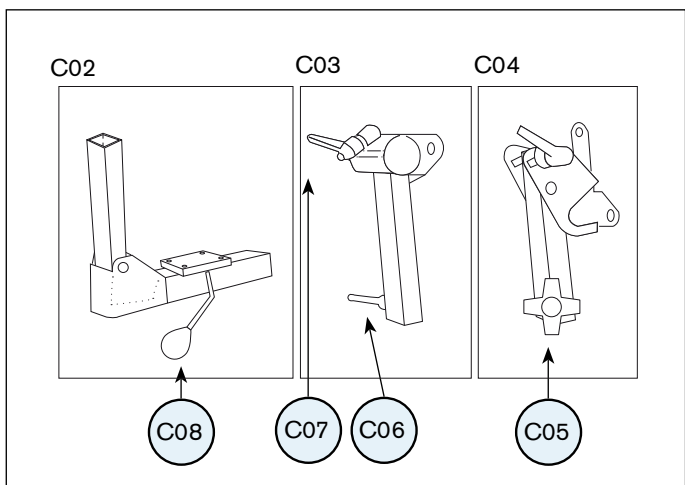
B01 EL Electric



B01	1	801300 Ryggmekanism EL Låg rygg Electric backrest adjustment Low back
	2	801817 Ryggmekanism EL Hög rygg Electric backrest adjustment High back
B02		802731 Eldonssats f ryggvinkel f reläkort Real 9000 Electric kit f. backrest angle
B03		801265 Ryggstolpe Std. ErgoM Låg rygg Back pole Std Cla/ Ergo Medic Low back
B04		800841 Ryggstolpe Std. ErgoM Hög rygg Back pole Std. Ergo Medic High back
B05		803004 Stjärnratt Plus M8x20 (braga gummerad) Gummed knob M8x20 PLUS
B06		803006 Låsspak Plus M8 (inv gänga) (braga gummerad) Gummed handle M8 PLUS

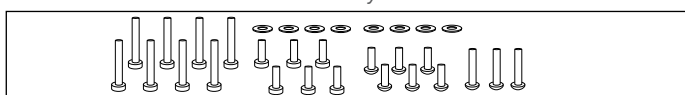
Se sid 36 för reglage

C01 Comfort Comfort



C01	1	BRM2514 Ryggmekanism Comfort ErgoM Grund Låg rygg Back adjustment Comfort ErgoM Shallow Low back
	2	BRM6514 Ryggmekanism Comfort ErgoM Grund Hög rygg Back adjustment Comfort ErgoM Shallow High back
C02		801770 Ryggfällning Comfort ErgoM 350 N Grunt sittdjup Backrest mech Comfort ErgoM 350 N Shallow seatdepth
C03		801088 Ryggstolpe Medic/Comfort ErgoM Låg rygg Back pole Medic/Comfort ErgoM Low back
C04		801737 Ryggstolpe Medic/Comfort ErgoM Hög rygg Back pole Medic/Comfort ErgoM High back
C05		803004 Stjärnratt Plus M8x20 (braga gummerad) Plastic knob Plus M8x20
C06		803012 Låsspak Plus M6x10 (braga gummerad) Gummed handle M6x10 PLUS
C07		803013 Låsspak Plus M6x20 (braga gummerad) Gummed handle M6x20 PLUS
C08		803011 Spak till Comfortryggmekanism Plus Lever for backrest mechanism Comfort PLUS

D01 Skruvsats för montering av rygg och ryggfällning Screw kit for backrest assembly

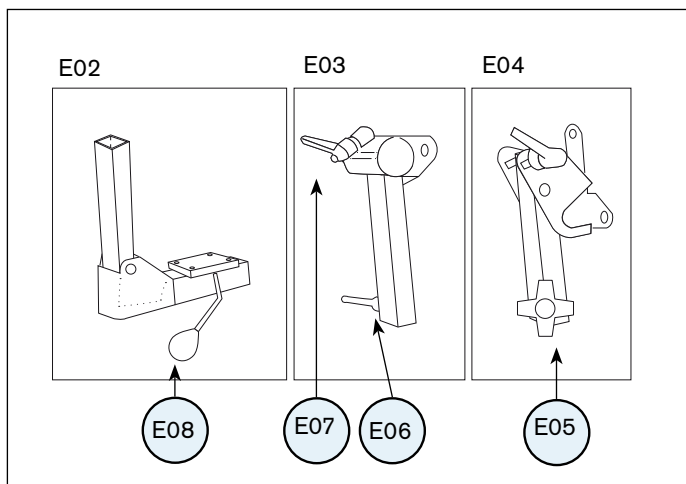


D01		803270 Skruvsats för montering av rygg och ryggfällning Screw kit for backrest assembly
-----	--	---

Stycklista – Ryggmekanism Comfort Coxit

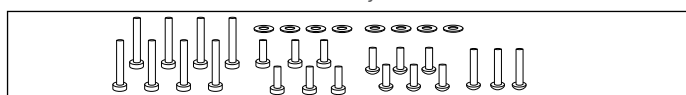
Part list – Backrest mechanism

E01 Comfort Coxit
Comfort Coxit



Pos	Art.nr	Benämning
Pos	Art.no	Name
E01	1	BRM2614 Ryggmekanism Comfort ErgoMedic Djup Låg rygg <i>Backrest adjustment Comfort ErgoMedic Depht Low back</i>
	2	BRM6614 Ryggmekanism Comfort ErgoMedic Djup Hög rygg <i>Backrest adjustment Comfort ErgoMedic Depht High back</i>
E02	801771	Ryggfällning Comfort ErgoMedic Djup 350 N Djupt sittdjup <i>Backrest mech Comfort ErgoMedic 350 N Deep seatdepth</i>
E03	801088	Ryggstolpe Medic/Comfort ErgoMedic Låg rygg <i>Back pole Medic/Comfort ErgoMedic Low back</i>
E04	801737	Ryggstolpe Medic/Comfort ErgoMedic Hög rygg <i>Back pole Medic/Comfort ErgoMedic High back</i>
E05	803004	Stjärnratt Plus M8x20 (braga gummerad) <i>Plastic knob Plus M8x20</i>
E06	803012	Låsspak Plus M6x10 (braga gummerad) <i>Gummed handle M6x10 PLUS</i>
E07	803013	Låsspak Plus M6x20 (braga gummerad) <i>Gummed handle M6x20 PLUS</i>
E08	803011	Spak till Comfortryggmekanism Plus <i>Lever for backrest mechanism Comfort PLUS</i>

F01 Skruvsats för montering av rygg och ryggfällning
Screw kit for backrest assembly

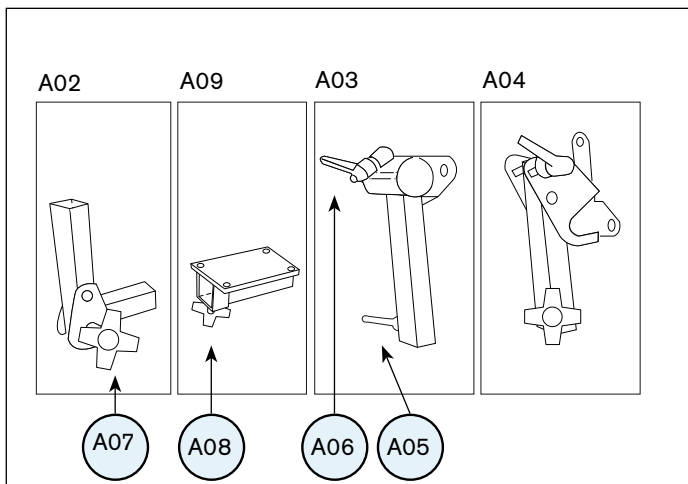


F01 **803270** Skruvsats f montering av rygg och ryggfällning
Screw kit for backrest assembly

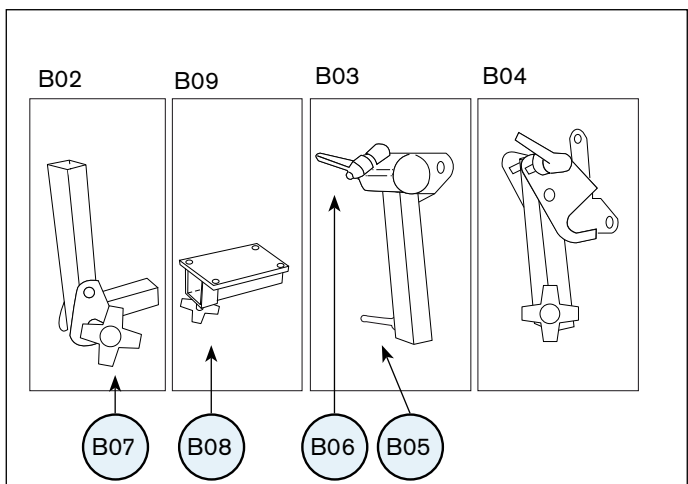
Stycklista – Ryggmekanism Medic 112 Rygg

Part list – Backrest mechanism

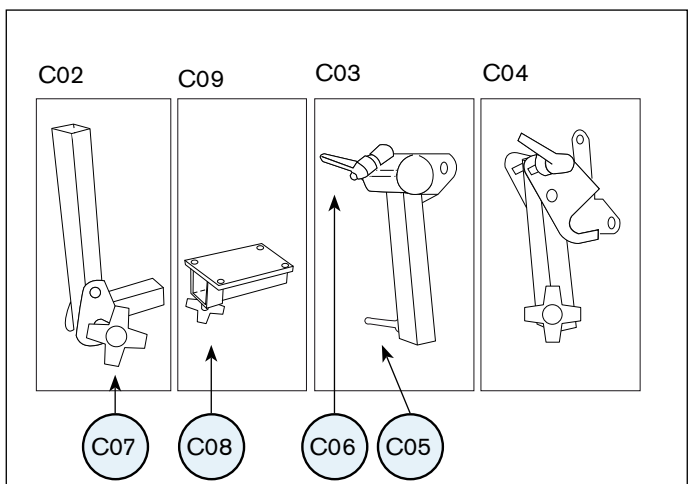
A01 200 x 112 mm (hxd)



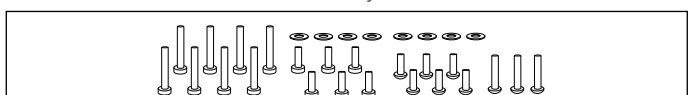
B01 240 x 112 mm (hxd)



C01 340 x 112 mm (hxd)



D01 Skruvsats för montering av rygg och ryggfällning
Screw kit for backrest assembly

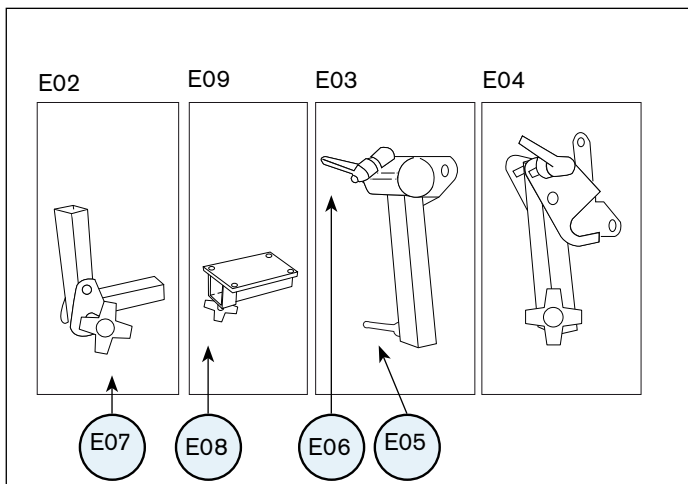


Pos	Art.nr	Benämning
Pos	Art.no	Name
A01	1	BRM1800 Ryggmekanism Medic ErgoMedic S 112 Låg rygg 801930 Backrest adjustment Medic ErgoMedic S Low back 112 mm
	2	BRM4800 Ryggmekanism Medic ErgoMedic S 112 Hög rygg 801932 Backrest adjustment Medic ErgoMedic S High back 112 mm
A02	801923	Ryggfällning Medic 112mm S Cla/ErgoM 200mm Backrest mechanism Medic 112 mm S Cla/ErgoM 200 mm
A03	801928	Ryggstolpe Medic ErgoM S Låg rygg Back pole ErgoM S
A04	801737	Ryggstolpe Medic/Comfort ErgoMedic Hög rygg Back pole Medic/Comfort ErgoMedic High back
A05	803012	Låsspak PLUS M6x10 (braga gummerad) Gummed handle M6x10 PLUS
A06	803013	Låsspak PLUS M6x20 (braga gummerad) Gummed handle M6x20 PLUS
A07	803007	Stjärnratt PLUS M8x1 special (braga gummerad) Gummed knob M8x1
A08	803004	Stjärnratt PLUS M8x20 (braga gummerad) Gummed knob M8x20 PLUS
A09	800837	Ryggfällning fäste Medic Cla/ErgoM Backrestmechanism Medic hold
B01	1	BRM1900 Ryggmekanism Medic ErgoMedic L 112 Låg rygg 801739 Backrest adjustment Medic ErgoMedic L Low back 112 mm
	2	BRM4900 Ryggmekanism Medic ErgoMedic L 112 Hög rygg 801741 Backrest adjustment Medic ErgoMedic L High back 112 mm
B02	801083	Ryggfällning Medic 112mm L Cla/ErgoM 240mm Backrest mechanism Medic 112 mm L Cla/ErgoM 340 mm
B03	801088	Ryggstolpe Medic/Comfort ErgoMedic Låg rygg Back pole Medic/Comfort ErgoMedic Low back
B04	801737	Ryggstolpe Medic/Comfort ErgoMedic Hög rygg Back pole Medic/Comfort ErgoMedic High back
B05	803012	Låsspak PLUS M6x10 (braga gummerad) Gummed handle M6x10 PLUS
B06	803013	Låsspak PLUS M6x20 (braga gummerad) Gummed handle M6x20 PLUS
B07	803007	Stjärnratt PLUS M8x1 special (braga gummerad) Gummed knob M8x1
B08	803004	Stjärnratt PLUS M8x20 (braga gummerad) Gummed knob M8x20 PLUS
B09	800837	Ryggfällning fäste Medic Cla/ErgoM Backrestmechanism Medic hold
C01	1	BRM2000 Ryggmekanism Medic ErgoMedic XL 112 Låg rygg 801934 Backrest adjustment Medic ErgoMedic XL Low back 112 mm
	2	BRM5000 Ryggmekanism Medic ErgoMedic XL 112 Hög rygg 801936 Backrest adjustment Medic ErgoMedic XL High back 112 mm
C02	801085	Ryggfällning Medic 112mm XL Cla/ErgoM 340mm Backrest mechanism Medic 112 mm XL Cla/ErgoM 340 mm
C03	801088	Ryggstolpe Medic/Comfort ErgoMedic Låg rygg Back pole Medic/Comfort ErgoMedic Low back
C04	801737	Ryggstolpe Medic/Comfort ErgoMedic Hög rygg Back pole Medic/Comfort ErgoMedic High back
C05	803012	Låsspak PLUS M6x10 (braga gummerad) Gummed handle M6x10 PLUS
C06	803013	Låsspak PLUS M6x20 (braga gummerad) Gummed handle M6x20 PLUS
C07	803007	Stjärnratt PLUS M8x1 special (braga gummerad) Gummed knob M8x1
C08	803004	Stjärnratt PLUS M8x20 (braga gummerad) Gummed knob M8x20 PLUS
C09	800837	Ryggfällning fäste Medic Cla/ErgoM Backrestmechanism Medic hold
D01	803270	Skruvsats f montering av rygg och ryggfällning Screw kit for backrest assembly

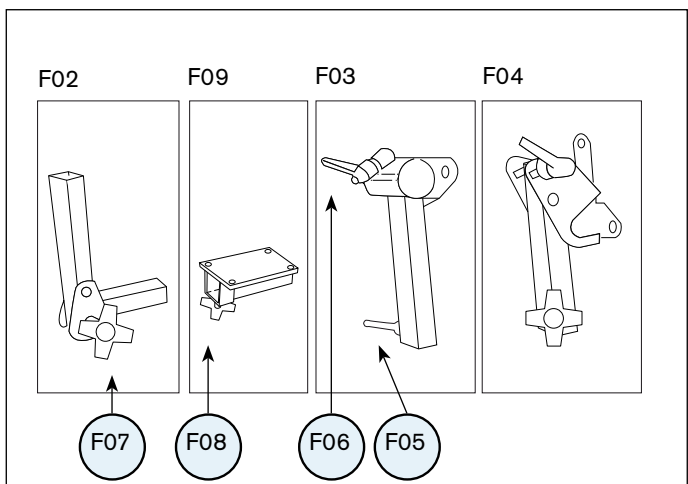
Stycklista – Ryggmekanism Medic 155 Rygg

Part list – Backrest mechanism

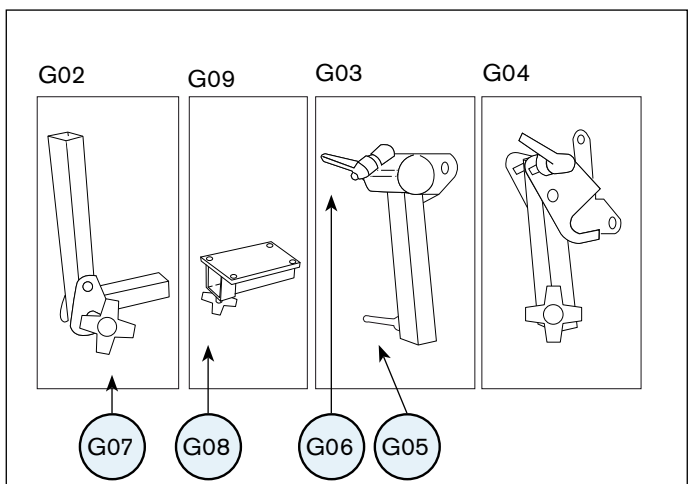
E01 200 x 155 mm (hxd)



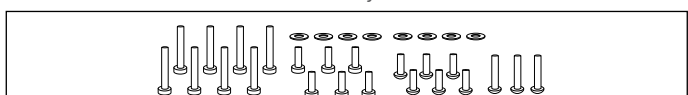
F01 240 x 155 mm (hxd)



G01 340 x 155 mm (hxd)



H01 Skruvsats för montering av rygg och ryggfällning
Screw kit for backrest assembly

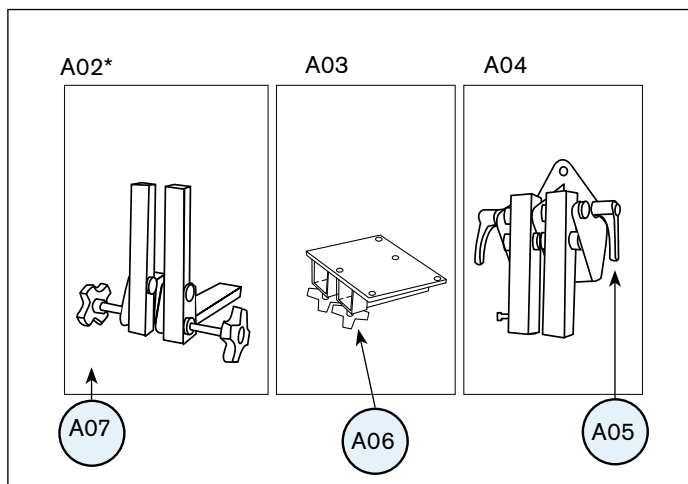


Pos	Art.nr	Benämning
Pos	Art.no	Name
E01	1	BRM1500 Ryggmekanism Medic ErgoMedic S 155 Låg rygg 801929 Backrest adjustment Medic ErgoM S Low back 155 mm
	2	BRM4500 Ryggmekanism Medic ErgoMedic S 155 Hög rygg 801931 Backrest adjustment Medic ErgoM S High back 155 mm
E02	801922	Ryggfällning Medic 155mm S Cla/ErgoM 200mm Backrest mechanism Medic 155 mm S Cla/ErgoM 200 mm
E03	801928	Ryggstolpe Medic ErgoM S Låg rygg Back pole ErgoM S
E04	801737	Ryggstolpe Medic/Comfort ErgoMedic Hög rygg Back pole Medic/Comfort ErgoM High back
E05	803012	Låsspak PLUS M6x10 (braga gummerad) Gummed handle M6x10 PLUS
E06	803013	Låsspak PLUS M6x20 (braga gummerad) Gummed handle M6x20 PLUS
E07	803007	Stjärnratt PLUS M8x1 special (braga gummerad) Gummed knob M8x1
E08	803004	Stjärnratt PLUS M8x20 (braga gummerad) Gummed knob M8x20 PLUS
E09	800837	Ryggfällning fäste Medic Cla/ErgoM Backrestmechanism Medic hold
F01	1	BRM1600 Ryggmekanism Medic ErgoMedic L 155 Låg rygg 801738 Backrest adjustment Medic ErgoMedic L Low back 155 mm
	2	BRM4600 Ryggmekanism Medic ErgoMedic L 155 Hög rygg 801740 Backrest adjustment Medic ErgoMedic L High back 155 mm
F02	801082	Ryggfällning Medic 155mm L Cla/ErgoM 240mm Backrest mechanism Medic 155 mm L Cla/ErgoM 240 mm
F03	801088	Ryggstolpe Medic/Comfort ErgoMedic Låg rygg Back pole Medic/Comfort ErgoMedic L Low back
F04	801737	Ryggstolpe Medic/Comfort ErgoMedic Hög rygg Back pole Medic/Comfort ErgoM High back
F05	803012	Låsspak PLUS M6x10 (braga gummerad) Gummed handle M6x10 PLUS
F06	803013	Låsspak PLUS M6x20 (braga gummerad) Gummed handle M6x20 PLUS
F07	803007	Stjärnratt PLUS M8x1 special (braga gummerad) Gummed knob M8x1
F08	803004	Stjärnratt PLUS M8x20 (braga gummerad) Gummed knob M8x20 PLUS
F09	800837	Ryggfällning fäste Medic Cla/ErgoM Backrestmechanism Medic hold
G01	1	BRM1700 Ryggmekanism Medic ErgoM XL 155 Låg rygg 801933 Backrest adjustment Medic ErgoM XL Low back 155 mm
	2	BRM4700 Ryggmekanism Medic ErgoM XL 155 Hög rygg 801935 Backrest adjustment Medic ErgoM XL High back 155 mm
G02	801084	Ryggfällning Medic 155mm XL Cla/ErgoM 340mm Backrest mechanism Medic 155 mm XL Cla/ErgoM 340 mm
G03	801088	Ryggstolpe Medic/Comfort ErgoM Låg rygg Back pole Medic/Comfort ErgoML Low back
G04	801737	Ryggstolpe Medic/Comfort ErgoM Hög rygg Back pole Medic/Comfort ErgoM High back
G05	803012	Låsspak PLUS M6x10 (braga gummerad) Gummed handle M6x10 PLUS
G06	803013	Låsspak PLUS M6x20 (braga gummerad) Gummed handle M6x20 PLUS
G07	803007	Stjärnratt PLUS M8x1 special (braga gummerad) Gummed knob M8x1
G08	803004	Stjärnratt PLUS M8x20 (braga gummerad) Gummed knob M8x20 PLUS
G09	800837	Ryggfällning fäste Medic Cla/ErgoM Backrestmechanism Medic hold
H01	803270	Skruvsats f montering av rygg och ryggfällning Screw kit for backrest assembly

Stycklista – Ryggmekanism Dubbel Medic

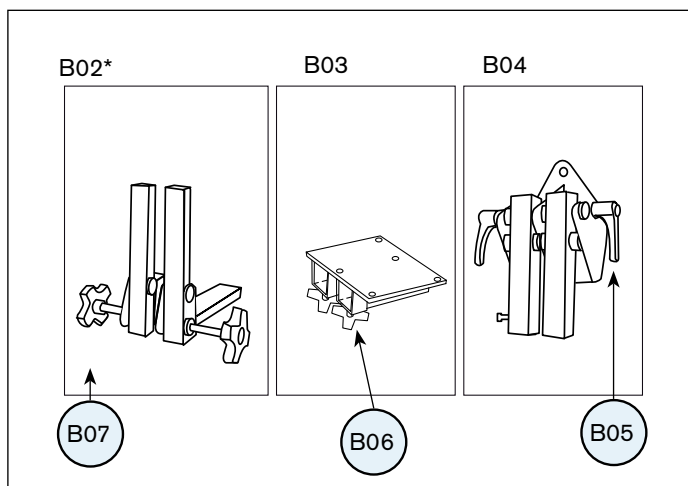
Part list – Backrest mechanism Double Medic

A01 240 x 155 mm (hxd)



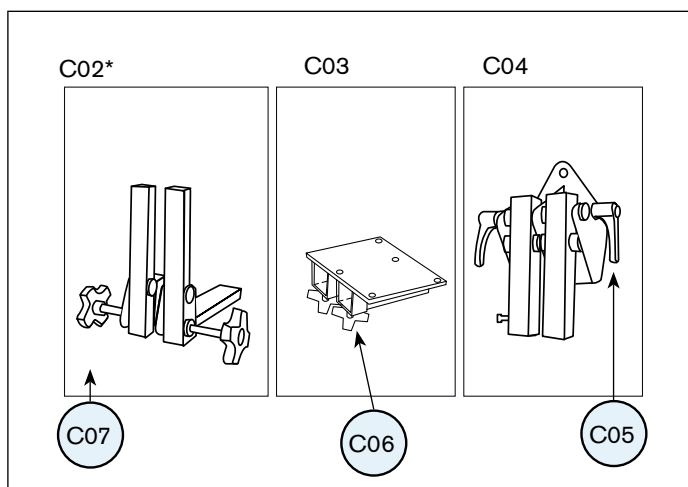
* 2 st 801084 behövs för dubbel medic ryggmekanism

B01 340 x 155 mm (hxd)



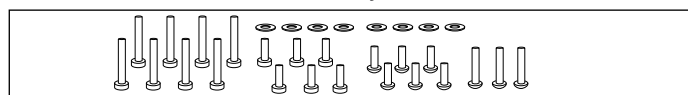
* 2 st 801084 behövs för dubbel medic ryggmekanism

C01 340 x 300 mm (hxd)



* 2 st 801084 behövs för dubbel medic ryggmekanism

D01 Skruvsats för montering av rygg och ryggfällning
Screw kit for backrest assembly



Pos Art.nr Benämning
Pos Art.no Name

A01	BRM5600	Ryggmekanism Dubbel Medic L DJ 155 Hj 240 Hög rygg 803585 Backrest adjustment Double Medic 240 mm high back
A02	801082	Ryggfällning Medic 155mm L Cla/ErgoM (Övrerör 240mm) Backrest mechanism Medic 155 mm L
A03	802859	Ryggfällning fäste Medic Dubbel ryggfällning Backrest mechanism Double Medic hold
A04	802860	Ryggstolpe Medic Dubbel ryggfälln plats f nackstöd Back pole Double Medic
A05	803006	Låsspak PLUS M8 (braga gummerad) Gummed handle M8 PLUS
A06	803004	Stjärnratt PLUS M8x20 (braga gummerad) Gummed knob M8x20 PLUS
A07	803007	Stjärnratt PLUS M8x1 special (braga gummerad) Gummed knob M8x1

B01	BRM5700	Ryggmekanism Dubbel Medic XL DJ 155 Hj 340 Hög rygg 803586 Backrest adjustment Double Medic 340 mm high back
B02	801084	Ryggfällning Medic 155mm XL Cla/ErgoM (Övrerör 340mm) Backrest mechanism Medic 155 mm XL
B03	802859	Ryggfällning fäste Medic Dubbel ryggfällning Backrest mechanism Double Medic hold
B04	802860	Ryggstolpe Medic Dubbel ryggfälln plats f nackstöd Back pole Double Medic
B05	803006	Låsspak PLUS M8 (braga gummerad) Gummed handle M8 PLUS
B06	803004	Stjärnratt PLUS M8x20 (braga gummerad) Gummed knob M8x20 PLUS
B07	803007	Stjärnratt PLUS M8x1 special (braga gummerad) Gummed knob M8x1

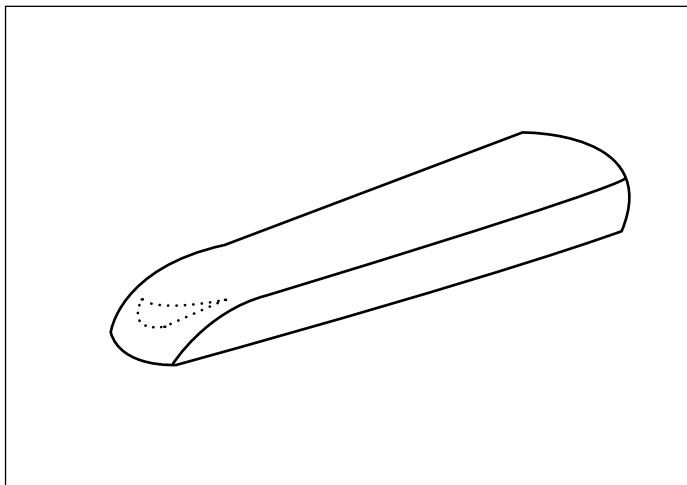
C01	803868	Ryggmekanism Dubbel Medic XL DJ 300 Hj 340 Hög rygg Backrest adj. Double Medic d 300mm h 340mm high back
C02	803867	Ryggfällning Medic 300mm XL Cla/ErgoM (Övrerör 340mm) Backrest mechanism Medic 300 mm XL
C03	802859	Ryggfällning fäste Medic Dubbel ryggfällning Backrest mechanism Double Medic hold
C04	802860	Ryggstolpe Medic Dubbel ryggfälln plats f nackstöd Back pole Double Medic
C05	803006	Låsspak PLUS M8 (braga gummerad) Gummed handle M8 PLUS
C06	803004	Stjärnratt PLUS M8x20 (braga gummerad) Gummed knob M8x20 PLUS
C07	803007	Stjärnratt PLUS M8x1 special (braga gummerad) Gummed knob M8x1

D01	803270	Skruvsats f montering av rygg och ryggfällning Screw kit for backrest assembly
-----	------------------------	---

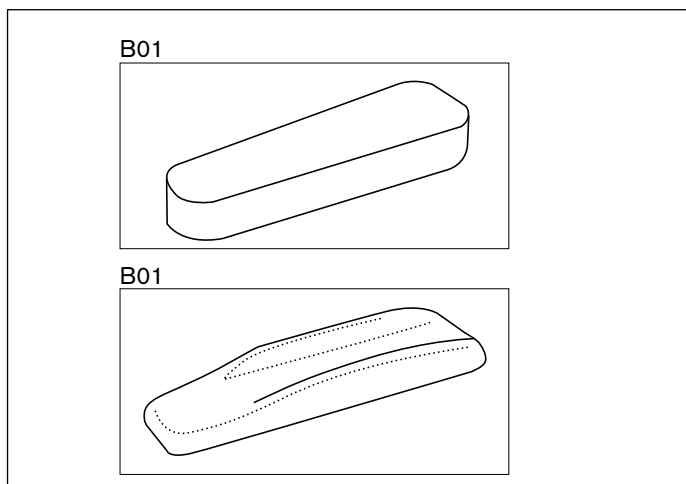
Stycklista – Armstöd

Part list – Armrests

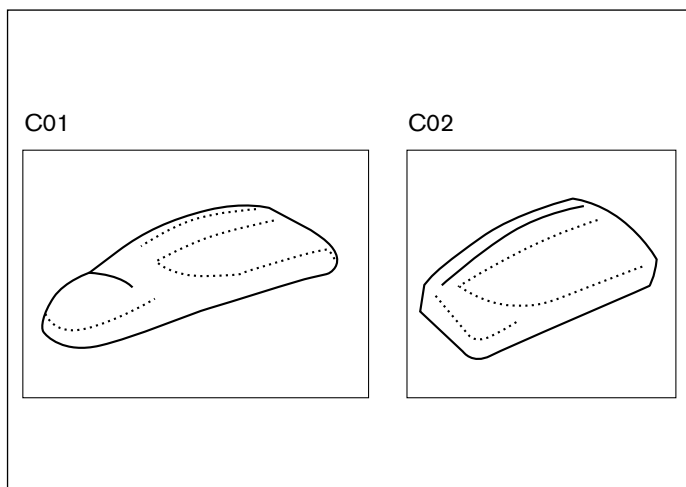
A01 ErgoMedic för armstödsmekanism PLUS
ErgoMedic for armrest mechanism PLUS



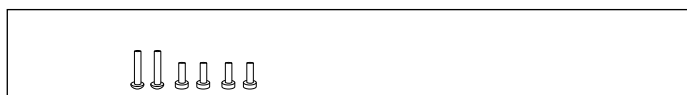
B Mobil för mekanism fällbar & Hemiplegi
Mobil for foldable armrest mechanism & Hemiplegi



C ErgoMedic PLUS för mekanism PLUS & mekanism fällbar
ErgoMedic PLUS for PLUS and foldable armrest mechanism



D01 Skruvsats för montering av armstöd
Screw kit for armrest assembly

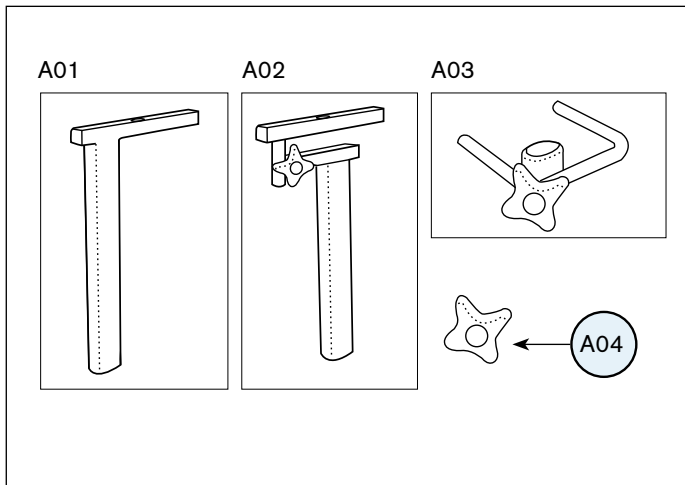


Pos	Art.nr	Benämning
Pos	Art.no	Name
A01 1	AR103038 240380	Armstöd platta ErgoMedic 35 cm Konstläder Svart Armrest Classic 35 cm Skai Black
2	AR102038 240381	Armstöd platta ErgoMedic 30 cm Konstläder Svart Armrest Classic 30 cm Skai Black
3	AR101038 240382	Armstöd platta ErgoMedic 25 cm Konstläder Svart Armrest Classic 25 cm Skai Black
4	AR104038 240383	Armstöd platta ErgoMedic 40 cm Konstläder Svart Armrest Classic 40 cm Skai Black
5	AR153038 246380	Armstöd platta EM f mob. 35 cm Konstläder Svart Armrest EM Mobile 35 cm Skai Black
6	AR152038 246381	Armstöd platta EM f mob. 30 cm Konstläder Svart Armrest EM Mobile 30 cm Skai Black
7	AR151038 246382	Armstöd platta EM f mob. 25 cm Konstläder Svart Armrest EM Mobile 25 cm Skai Black
8	AR112038 242381	Armstöd platta Mini 30 cm Konstläder Svart Armrest Mini 30 cm Skai Black
9	AR111038 242382	Armstöd platta Mini 25 cm Konstläder Svart Armrest Mini 25 cm Skai Black
B01 1	AR303038 245380	Armstöd platta Mobil 35 cm Konstläder Svart Armrest Mobile 35 cm Skai Black
2	AR302038 245381	Armstöd platta Mobil 30 cm Konstläder Svart Armrest Mobile 30 cm Skai Black
3	AR301038 245382	Armstöd platta Mobil 25 cm Konstläder Svart Armrest Mobile 25 cm Skai Black
4	AR304038 245383	Armstöd platta Mobil 40 cm Konstläder Svart Armrest Mobile 40 cm Skai Black
5	AR313038 248380	Armstöd platta Mobil 35 cm Konstläder Svart 9000 Borråd Armrest Mobile 35 cm Skai Black Drilled
6	AR312038 248381	Armstöd platta Mobil 30 cm Konstläder Svart 9000 Borråd Armrest Mobile 30 cm Skai Black Drilled
7	AR311038 248382	Armstöd platta Mobil 25 cm Konstläder Svart 9000 Borråd Armrest Mobile 25 cm Skai Black Drilled
B02	AR406038 244382	Armstöd platta Hemiplegi 45x12 cm Konstläder Svart Armrest Hemiplegi 45x12 cm Skai Black
C01 1	AR205138 243380	Armstöd platta ErgoM PLUS Hö 42 cm Konstläder Svart Armrest ErgoMedic PLUS Right 42 cm Skai Black
2	AR205238 243385	Armstöd platta ErgoM PLUS Vä 42 cm Konstläder Svart Armrest ErgoMedic PLUS Left 42 cm Skai Black
C02 1	AR202138 243381	Armstöd platta ErgoM PLUS Hö 30 cm Konstläder Svart Armrest ErgoMedic PLUS Right 30 cm Skai Black
2	AR202238 243386	Armstöd platta ErgoM PLUS Vä 30 cm Konstläder Svart Armrest ErgoMedic PLUS Left 30 cm Skai Black
D01	803271	Skruvsats f montering armstöd Screw kit for armrest assembly

Stycklista – Armstödsmechanismer

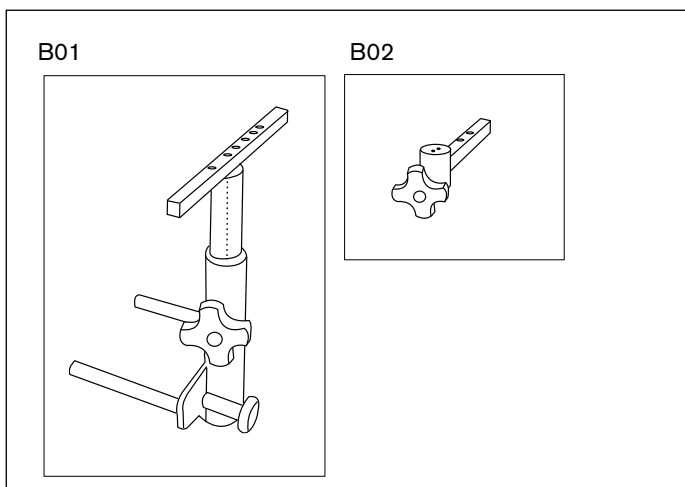
Part list – Armrest mechanisms

A Armstödsmechanism PLUS Armrest mechanism PLUS



Pos	Art.nr	Benämning
Pos	Art.no	Name
A01 1	600304	Armstöd PLUS Höger Höjd 32 <i>Armrest PLUS right, Height 32</i>
2	600305	Armstöd PLUS Vänster Höjd 32 <i>Armrest PLUS left, Height 32</i>
3	600306	Armstöd PLUS Höger Höjd 38 <i>Armrest PLUS right, Height 38</i>
4	600307	Armstöd PLUS Vänster Höjd 38 <i>Armrest PLUS left, Height 38</i>
5	802773	Armstöd Plus Mini Höger <i>Armrest PLUS Mini right</i>
6	802774	Armstöd Plus Mini Vänster <i>Armrest PLUS Mini left</i>
A02 1	802992	Armstöd Hemiplegi Höjd 32 PLUS armstöd Höger <i>Hemiplegic armrest Height 32 PLUS armrest right</i>
2	802993	Armstöd Hemiplegi Höjd 32 PLUS armstöd Vänster <i>Hemiplegic armrest Height 32 PLUS armrest left</i>
A03 1	802698	Armstöd Breddbåge PLUS Höger 9000/6100 <i>U-bar for width adjustment PLUS Right</i>
2	802699	Armstöd Breddbåge PLUS Vänster 9000/6100 <i>U-bar for width adjustment PLUS Left</i>
3	802771	Armstöd Breddbåge Plus Mini Höger <i>U-bar for width adjustment PLUS Mini Right</i>
4	802772	Armstöd Breddbåge Plus Mini Vänster <i>U-bar for width adjustment PLUS Mini Left</i>
A04	803004	Stjärnratt Plus M8x20 (Braga gummerad) <i>Gummed knob M8x20 PLUS</i>

B Armstödsmechanism fällbar Foldable armrest mechanism

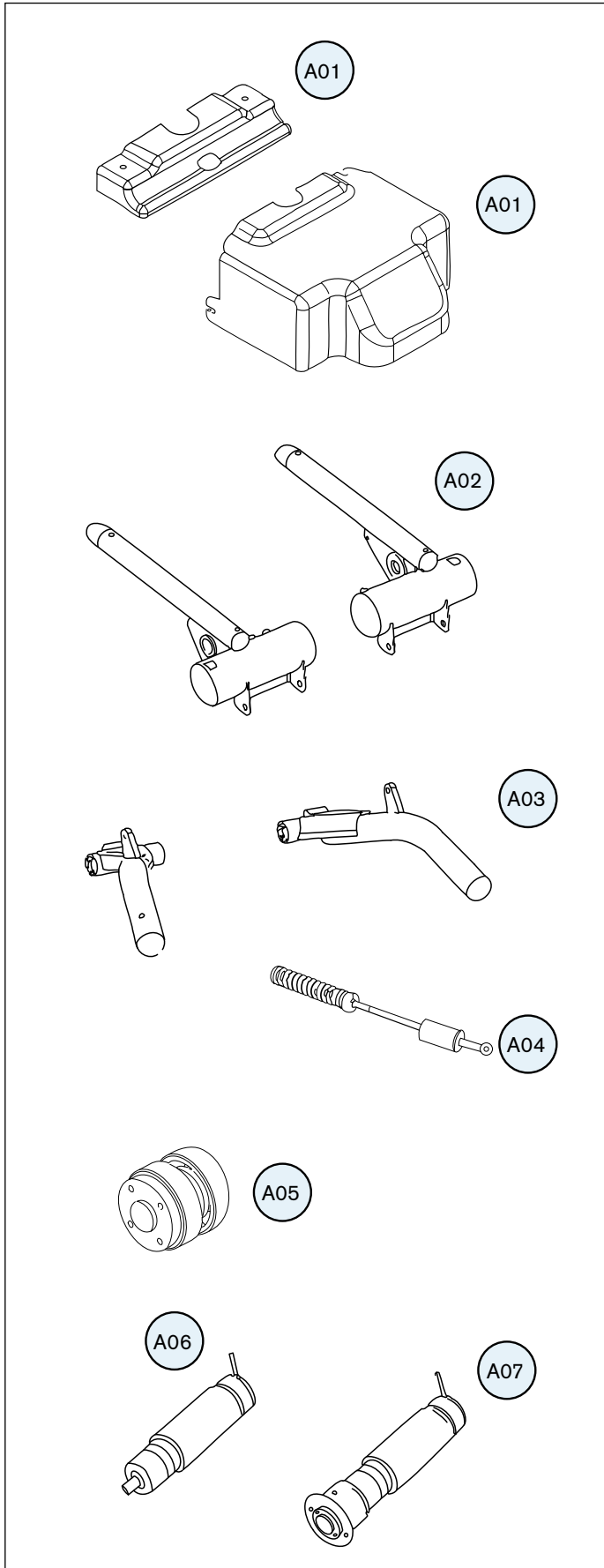


B01 1	ARM3011	Armstöd mekanism 6100 kpl. Höger B >40 (Vuxen) 600126 <i>Armrest mechanism 6100 right Compl. >40</i>
2	ARM3012	Armstöd mekanism 6100 kpl. Vänster B >40 (Vuxen) 600125 <i>Armrest mechanism 6100 left Compl. >40</i>
3	ARM3111	Armstöd mekanism 6100 kpl. Vs Höger Br>40 (Vuxen) 600170 <i>Armrest mechanism 6100 right Compl. angle adjustable >40</i>
4	ARM3112	Armstöd mekanism 6100 kpl. Vs Vänster Br>40 (Vuxen) 600169 <i>Armrest mechanism 6100 left Compl. angle adjustable >40</i>
B02 1	802991	Hemiplegi mekanism för fällbara armstöd Hö+Vä <i>Hemiplegic mechanism for foldable armrest Right+Left</i>
2	802989	Hemiplegi mekanism för fällbara armstöd Höger <i>Hemiplegic mechanism for foldable armrest Right</i>
3	802990	Hemiplegi mekanism för fällbara armstöd Vänster <i>Hemiplegic mechanism for foldable armrest Left</i>

Stycklista – Chassi

Part list – Chassis

A

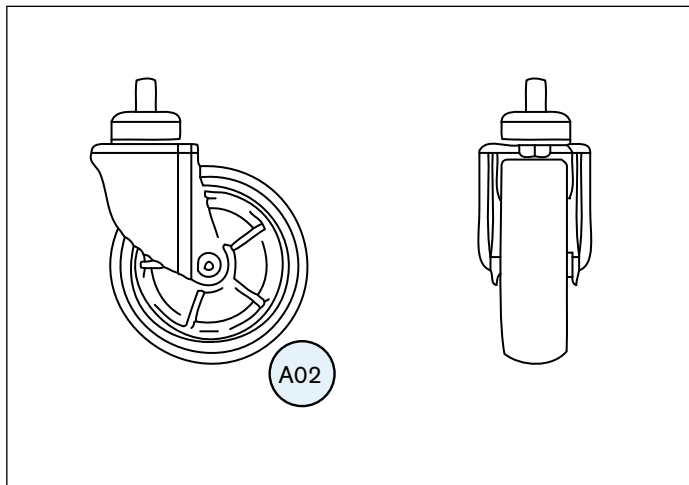


Pos	Art.nr	Benämning
Pos	Art.no	Name
A01	1 600205	Frontkåpa MOBIL 6100 Serie 4 <i>Front housing Mobile 6100</i>
	2 600369	Batterikåpa MOBIL 6100 PLUS <i>Housing Mobile 6100</i>
A02	1 600375	Bakben Vänster 6100 PLUS <i>Rear leg Left</i>
	2 600376	Bakben Höger 6100 PLUS <i>Rear leg right</i>
A03	1 600373	Framben Vänster 6100 PLUS <i>Front leg left</i>
	2 600374	Framben Höger 6100 PLUS <i>Front leg right</i>
A04	600390	Fjäder paket f framben kpl f REAL 6100 PLUS <i>Spring for front legs</i>
A05	803661	Drivmotor MOBIL PLUS inkl broms och motorkontakt <i>Engine for Mobile PLUS</i>
A06	600393	Drivmotor m bromsfrigörare REAL 6100 PLUS u drivaxel <i>Engine with brake release without axis</i>
A07	600392	Drivmotor kpl REAL 6100 PLUS kpl med drivaxel och hus <i>Engine complete including axis and housing</i>

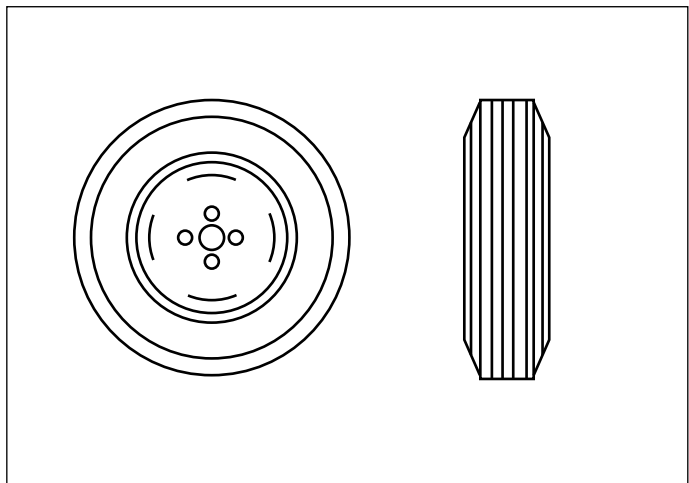
Stycklista – Hjul

Part list – Castors

A01 Länkhjul
Castors



B01 Drivhjul
Engine wheel



Pos	Art.nr	Benämning
Pos	Art.no	Name

A01	803593	Länkhjul Gummibana 125x40 M12 (Mobil) Castors 125x40 M12 mm
-----	--------	--

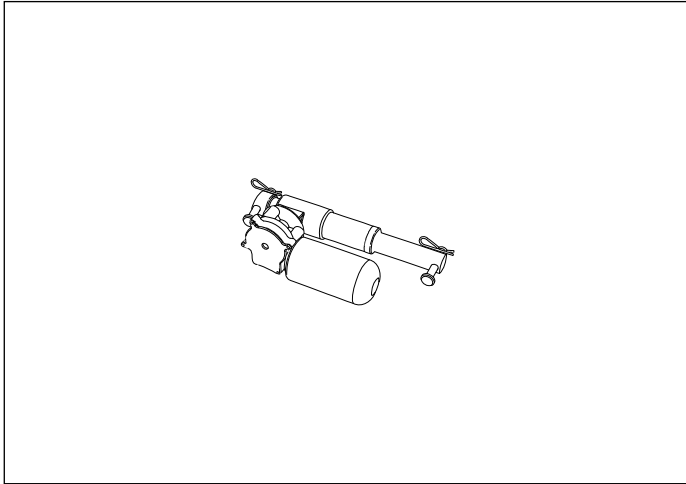
A02	803589	Hjul med gummbana Dia 125x40 Castors without fork 125x40
-----	--------	---

B01	803573	Drivdäck mönstradbana kpl med fälg f 6100 PLUS Engine wheel
-----	--------	--

Stycklista – Elektronik

Part list – Electronics

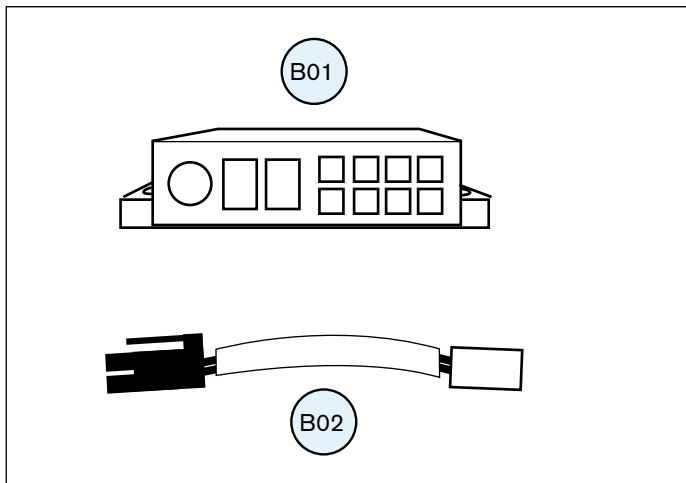
A01 Elektronik för sitsvinkling
Electronics for seat angle adjustment



Pos	Art.nr	Benämning
Pos	Art.no	Name

A01	SAR44	Eldonssats f sitsstilt f REAL 6100 Electric kit + relaycard f seat angle
-----	-----------------------	---

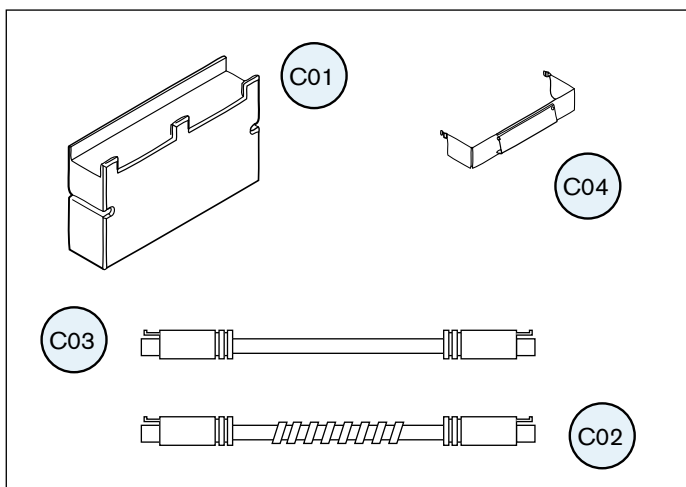
B Elektronik för sitsfunktioner
Electronics for seat functions



B01	1	803138	Fördelningsbox DX2-ACT4 4 utgångar Relaybox DX2-ACT 4
	2	803137	Fördelningsbox DX2-ACT2 2 utgångar Relaybox DX2-ACT 2

B02	600365	Kablage f eldon/ellyftomat DX2 ACT2/ACT4 Cabling
-----	------------------------	---

C Elektronik för drivning
Electronics for drive



C01	803136	Elektronik 6100 f DX/DX2 DX2-PMA70 Power module 6100 DX2 f LCD
-----	------------------------	---

C02	800035	Kabel Mobil 6100 DX-Bus spiral 1-2m DX BUS curly cable 1,0-2,0m
-----	------------------------	--

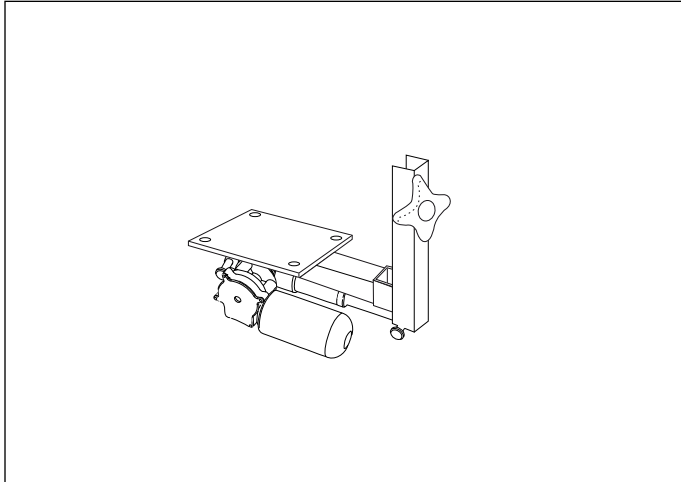
C03	800060	Kabel Mobil 6100 DX-Bus 1m DX BUS cable 1,0m
-----	------------------------	---

C04	600381	Fäste powermodul DX2 6100 PLUS Bracket for power module DX2
-----	------------------------	--

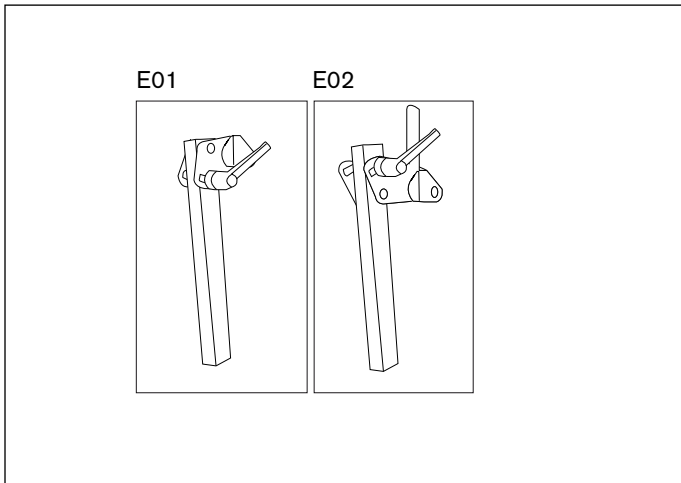
Stycklista – Elektronik

Part list – Electronics

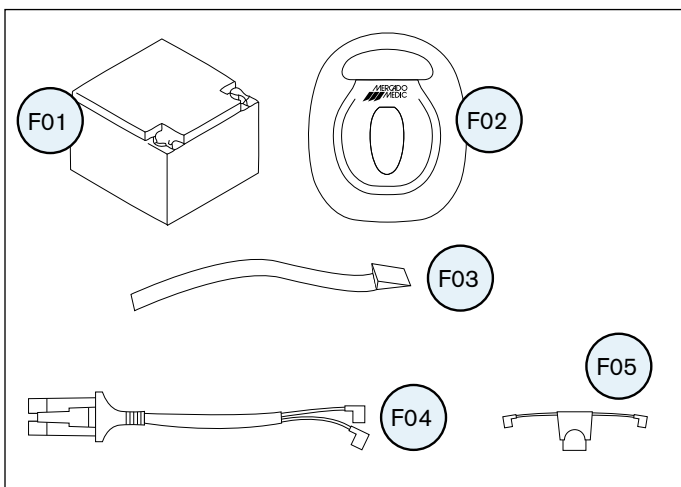
D01 Elektronik för ryggvinkling
Electronics for backrest angle



E Ryggstolpe för Elygg
Back pole for electric backrest



F Batteri och laddare
Battery and charger



Pos **Art.nr** **Benämning**
Pos Art.no Name

D01 **600266** Eldonssats f ryggvinkel f REAL 6100
Electric kit for backrest angle

E01 **801265** Ryggstolpe Standard. ErgoMedic Låg rygg
Back pole Std Cla/ ErgoMedic Low back

E02 **800841** Ryggstolpe Standard ErgoMedic Hög rygg
Back pole Standard ErgoMedic High back

F01 **800075** Batteri Mobil 6100 12V25A Sonnenschein A512/25G5
Battery 12V 25Ah

F02 **BAC1010** Batteriladdare 6100 PLUS 4 Amp
Battery charger

F03 **804023** Fästband Batteri L 1200mm B 18mm f REAL 6100 PLUS
Cord for battery

F04 **600274** Kablage Mobil 6100 batteri-elektronik SHARK/DX2
Cabling for batteri-electronics SHARK/DX2

F05 **600394** Kablage Mobil 6100 batterisäkringshållare
Cabling for batteri fuse



MERCADO SVERIGE

Mercado Medic AB
Tryffelslingan 14
181 57 Lidingö

Telefon & Fax
Tel 08 555 143 00
Fax 08 555 143 99

Email & Internet
Email info@mercado.se
Internet www.mercado.se



MERCADO NETHERLANDS

**Mercado Medic
Nederland BV**
Nobelweg 22
3899 BN Zeewolde

Phone & Fax
Tel +31 (0) 36 521 99 95
Fax +31 (0) 36 521 99 90

Email & Internet
Email info@mercado-medic.nl
Internet www.mercado-medic.nl



MERCADO UK

Mercado Medic UK Ltd
PO Box 4818
Warwick, CV34 9GB

Phone & Fax
Ph +44-(0)844 561 6874
Fax +44-(0)844 561 6875

Email & Internet
Email info@mercado-medic.co.uk
Internet www.mercado-medic.co.uk

MERCADO NORGE



Handicare
Postboks 5043
1503 Moss

Telefon & Telefaks
Telefon: 69 24 44 00
Telefaks: 69 24 45 00

Epost & internett
Epost: post@handicare.no
Internett: www.handicare.no