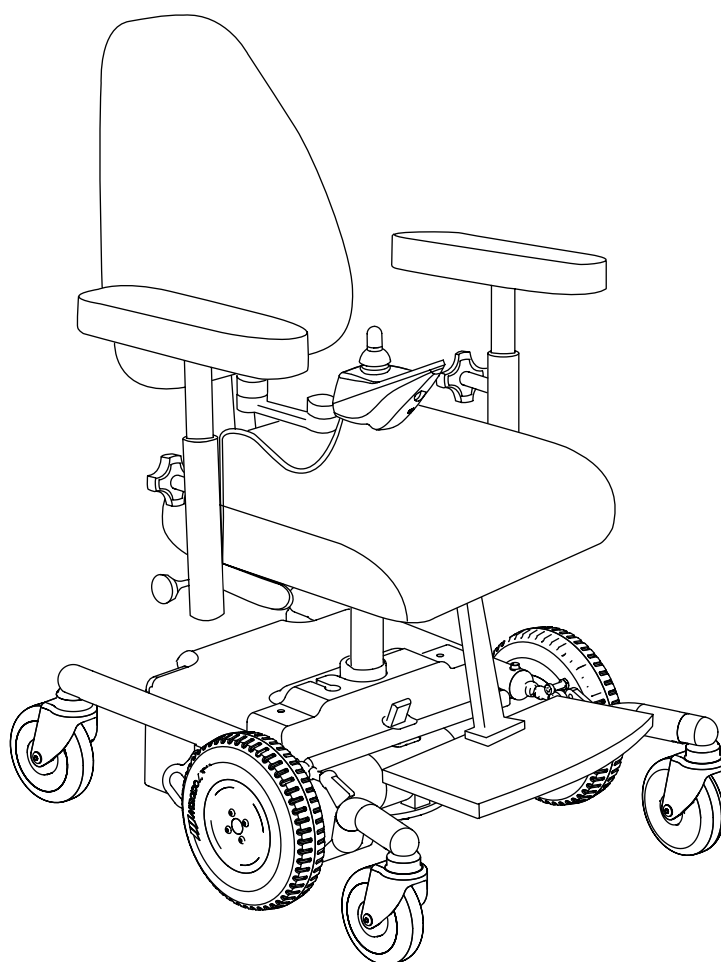




**REAL® 6100 PLUS - SPRÄNGSKISS**  
REAL® 6100 PLUS - EXPLODED DIAGRAM

Artikelnr/Article no -  
Ändrad/Changed 1806  
Giltig från/Valid from 1204

**P** VERSION 004



Mercado Medic AB  
Tryffelslingan 14  
181 57 Lidingö

Telefon & Fax  
Tel 08 555 143 00  
Fax 08 555 143 99

Email & Internet  
Email [info@mercado.se](mailto:info@mercado.se)  
Internet [www.mercado.se](http://www.mercado.se)

# Innehållsförteckning

## Table of content

<b>Detalj</b> <i>Detail</i>	<b>Sida</b> <i>Page</i>
<b>KLÄDSLAR OCH FÄRGKODER/UPHOLSTERY AND COLOUR CODES</b>	3
<b>SITTPLATTA/SEAT</b>	4
<b>SITTKRYSS/SEAT FRAME</b>	10
<b>MANÖVERBOXAR/CONTROL BOX</b>	13
<b>LYFTOMATER/LIFTOMATS</b>	14
<b>RYGGPLATTA/BACKREST</b>	16
<b>RYGGMEKANISM/BACKREST MECHANISM</b>	23
<b>ARMSTÖD/ARMRESTS</b>	28
<b>ARMSTÖDSMEKANSIMER/ARMREST MECHANISMS</b>	29
<b>CHASSIE/CHASSIS</b>	30
<b>HJUL/CASTORS</b>	31
<b>ELEKTRONIK/ELECTRONICS</b>	32

### **FÖRKLARING AV SYMBOLER**

#### *EXPLANATION OF THE SYMBOLS*



Artikel för REAL 6100 PLUS VUXEN  
*Article for REAL 6100 PLUS ADULT*



Artikel för REAL 6100 PLUS BARN  
*Article for REAL 6100 PLUS CHILD*



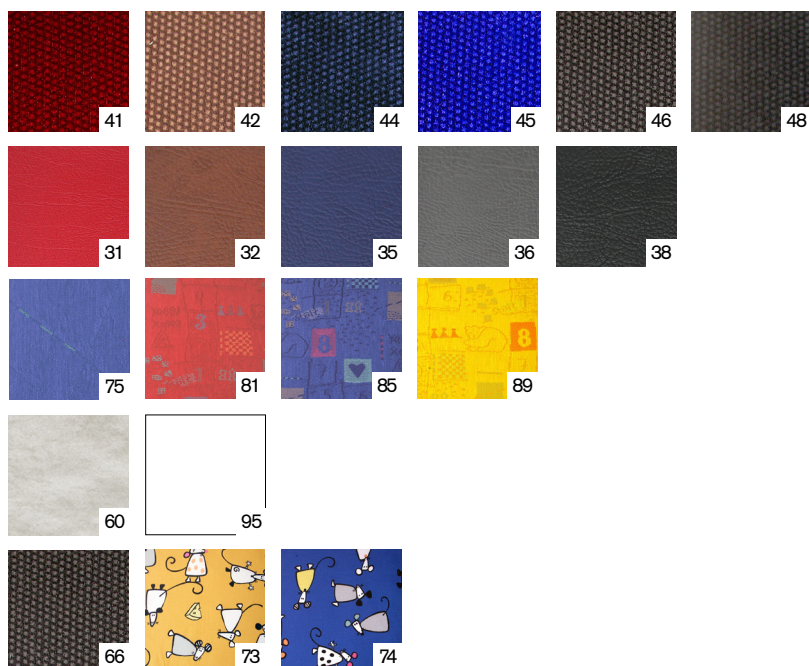
Artikel för REAL 6100 PLUS MINI  
*Article for REAL 6100 PLUS MINI*



Artikel för alla REAL 6100 PLUS  
*Article for all REAL 6100 PLUS*

# Klädselar och färgkoder

## Clothing and colour codes



### SIFFERKOD KLÄDSLAR (SIFFRA 7 OCH 8) DIGITCODE UPHOLSTERY (DIGIT 7 AND 8)

#### Plysch/Plush

41 Vinröd/Bordeaux 42 Brun/Brown 44 Marin/Navy Blue  
45 Realblå/Royal blue 46 Grå/Grey 48 Svart/Black

#### Konstläder/Skai

31 Röd/Red 32 Brun/Brown 35 Blå/Blue  
36 Grå/Grey 38 Svart/Black

#### Väv mönstrad Vuxen/Patterned fabric, Adult

75 Blå/75 Blue

#### Väv mönstrad Barn/Patterned fabric, Child

81 Röd/Red 85 Blå/Blue 89 Gul/Yellow

#### Alternativ klädsel/Alternative covering

60 Hygienväv/Hygiene fabric  
95 Utan klädsel/Without clothing

#### Överdragsklädsel/Covering

66 Inkontinensöverdrag grå plastad frotté/  
Incontinence cover, grey plastic-coated terry  
73 Barn, Gul bomull/Child, Yellow cotton  
74 Barn, Blå bomull/Child, Blue cotton

### FÖRKLARING TILL STOPPDETALJERS ARTIKELNUMMER Art.nr: ST101546. = "Sits ErgoMedic, plysch grå 44x48 cm" EXPLANATION OF THE ARTICLE NUMBERS STRUCTURE Article No: ST101546. = "ErgoMedic seat, plush grey 44x48 cm"

Siffror 1-2 = Typ av stoppningsartikel (ST = sits, BR = ryggplatta etc.)  
Digit 1-2 = Type of upholstered article (1 = seat, 2 = back panel etc.)  
Siffror 3-4 = Sittsystem (ErgoMedic, ErgoMedic PLUS etc.)  
Digits 3-4 = Seat system (ErgoMedic, ErgoMedic PLUS etc.)  
Siffror 5-6 = Storlek  
Digit 5-6 = Size  
Siffror 7 = Material (plysch, konstläder etc.)  
Digit 7 = Material (plush, skai etc.)  
Siffror 8 = Färg  
Digit 8 = Colour

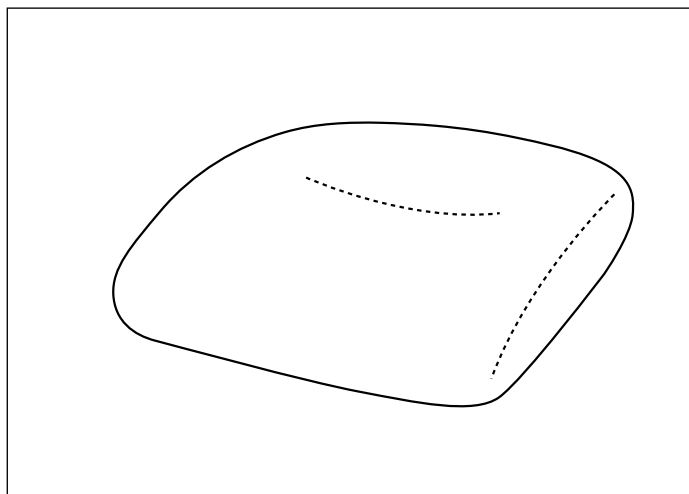
### PREFIX FÖR UPPBYGGNADEN AV ARTIKELNUMMER PREFIX FOR THE STRUCTURE OF THE ARTICLE NUMBER

<b>AD</b>	ADapter	Adapter	<b>LD</b>	Leg Divider	Grenkil
<b>AR</b>	ArmRest	Armstöd	<b>LDC</b>	Leg Divider Cover	Grenkil överdrag
<b>ARM</b>	ArmRest Mechanism	Armstödsmekanism	<b>LS</b>	Leg Support	Benstöd
<b>AS</b>	Amputation Support	Amputationsstöd	<b>NS</b>	Neck Support	Nackstöd
<b>ASC</b>	Amputation Support Cover	Amputationsstöds överdrag	<b>NSC</b>	Neck Support Cover	Nackstöd överdrag
<b>BD</b>	Brake Device	Handbroms	<b>PB</b>	Push Bar	Körbygel
<b>BE</b>	BasE	Stativ	<b>RC</b>	Rheumatic Cross	Reumatikerkryss
<b>BEA</b>	BrEak Accessory	Bromstillbehör	<b>SA</b>	Seat Angle Mechanism	Sitsvinkel
<b>BEX</b>	Base EXtender	Stativförlängare	<b>SAR</b>	Seat Angle Regulation	Sitsvinklings reglage
<b>BR</b>	Back Rest	Rygg	<b>SAP</b>	Seat Angle Placement	Sitsvinklings placering
<b>BRC</b>	Back Rest Cover	Rygg överdrag	<b>SH</b>	Seat Height	Sitthöjd
<b>BRM</b>	Back Rest Mechanism	Ryggmekanism	<b>SS</b>	Side Support	Sidostöd
<b>CS</b>	Calf Support	Vadstöd	<b>SSC</b>	Side Support Cover	Sidostöds överdrag
<b>CSC</b>	Calf Support Cover	Vadstöds överdrag	<b>ST</b>	SeaT	Sits
<b>FR</b>	Foot Ring	Fotring	<b>STC</b>	SeaT Cover	Sits överdrag
<b>HB</b>	Hip Belt	Höftbälte	<b>TA</b>	Table	Bord
<b>KS</b>	Knee Support	Knästopp	<b>TS</b>	Trunk Support	Bälstöd
<b>KSC</b>	Knee Support Cover	Knästopps överdrag	<b>TSC</b>	Trunk Support Cover	Bälstöds överdrag
<b>LB</b>	Large Ball	Stor kula	<b>WE</b>	WhEel	Hjul

# Stycklista – Sittplatta

## Part list – Seat

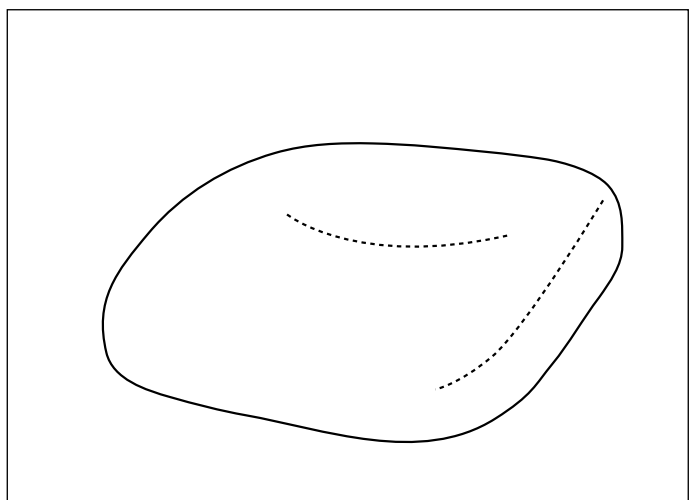
A01 Sits ErgoMedic  
Seat ErgoMedic



Pos Art.nr Benämning  
Pos Art.no Name

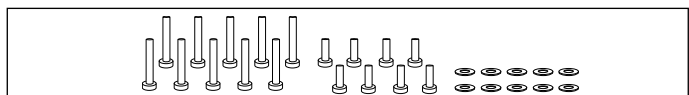
A01	1	ST100846	Sits ErgoMedic 44x53 Plysch Grå <i>Seat ErgoMedic 44x53 Plush Grey</i>
	2	ST101046 150461	Sits ErgoMedic 48x48 Plysch Grå <i>Seat ErgoMedic 48x48 Plush Grey</i>
	3	ST101346	Sits ErgoMedic 44x53 Plysch Grå <i>Seat ErgoMedic 44x53 Plush Grey</i>
	4	ST101546 150460	Sits ErgoMedic 44x48 Plysch Grå <i>Seat ErgoMedic 44x48 Plush Grey</i>
	5	ST102046 150462	Sits ErgoMedic 44x43 Plysch Grå <i>Seat ErgoMedic 44x43 Plush Grey</i>
	6	ST102546 150469	Sits ErgoMedic 40x48 Plysch Grå <i>Seat ErgoMedic 40x48 Plush Grey</i>
	7	ST103046 150463	Sits ErgoMedic 40x43 Plysch Grå <i>Seat ErgoMedic 40x43 Plush Grey</i>
	8	ST103546 150464	Sits ErgoMedic 40x39 Plysch Grå <i>Seat ErgoMedic 40x39 Plush Grey</i>
	9	ST104046 150467	Sits ErgoMedic 36x43 Plysch Grå <i>Seat ErgoMedic 36x43 Plush Grey</i>
	10	ST104546 150465	Sits ErgoMedic 36x39 Plysch Grå <i>Seat ErgoMedic 36x39 Plush Grey</i>
	11	ST105046 150466	Sits ErgoMedic 33x35 Plysch Grå <i>Seat ErgoMedic 33x35 Plush Grey</i>
	12	ST105546 150468	Sits ErgoMedic 29x32 Plysch Grå <i>Seat ErgoMedic 29x32 Plush Grey</i>

B01 Sits ErgoMedic Slow Recovery  
Seat ErgoMedic Slow Recovery



B01	1	ST111546 155460	Sits ErgoMedic Slow Recovery 44x48 Plysch Grå <i>Seat ErgoMedic Slow Recovery 44x48 Plush Grey</i>
	2	ST111046 155461	Sits ErgoMedic Slow Recovery 48x48 Plysch Grå <i>Seat ErgoMedic Slow Recovery 48x48 Plush Grey</i>
	3	ST112046 155462	Sits ErgoMedic Slow Recovery 44x43 Plysch Grå <i>Seat ErgoMedic Slow Recovery 44x43 Plush Grey</i>
	4	ST112546 155469	Sits ErgoMedic Slow Recovery 40x48 Plysch Grå <i>Seat ErgoMedic Slow Recovery 40x48 Plush Grey</i>
	5	ST113046 155463	Sits ErgoMedic Slow Recovery 40x43 Plysch Grå <i>Seat ErgoMedic Slow Recovery 40x43 Plush Grey</i>
	6	ST113546 155464	Sits ErgoMedic Slow Recovery 40x39 Plysch Grå <i>Seat ErgoMedic Slow Recovery 40x39 Plush Grey</i>
	7	ST114046 155467	Sits ErgoMedic Slow Recovery 36x43 Plysch Grå <i>Seat ErgoMedic Slow Recovery 36x43 Plush Grey</i>
	8	ST114546 155465	Sits ErgoMedic Slow Recovery 36x39 Plysch Grå <i>Seat ErgoMedic Slow Recovery 36x39 Plush Grey</i>
	9	ST115046 155466	Sits ErgoMedic Slow Recovery 33x35 Plysch Grå <i>Seat ErgoMedic Slow Recovery 33x35 Plush Grey</i>

C01

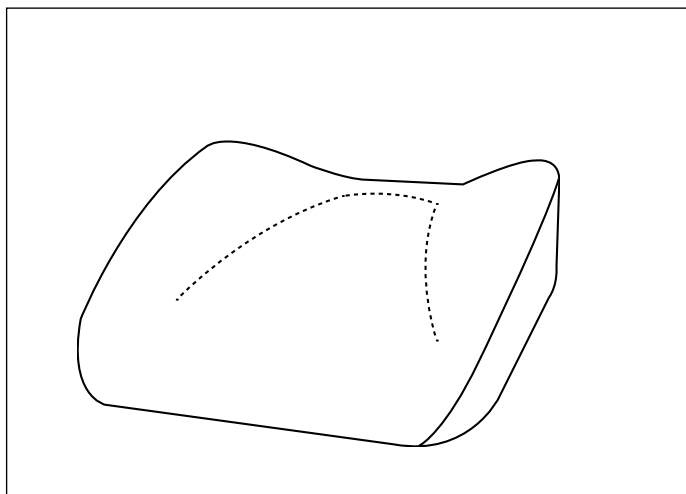


C01 803269 Skruvsats f monterng av sittplatta  
*Screw kit for seat assembly*

# Stycklista – Sittplatta

## Part list – Seat

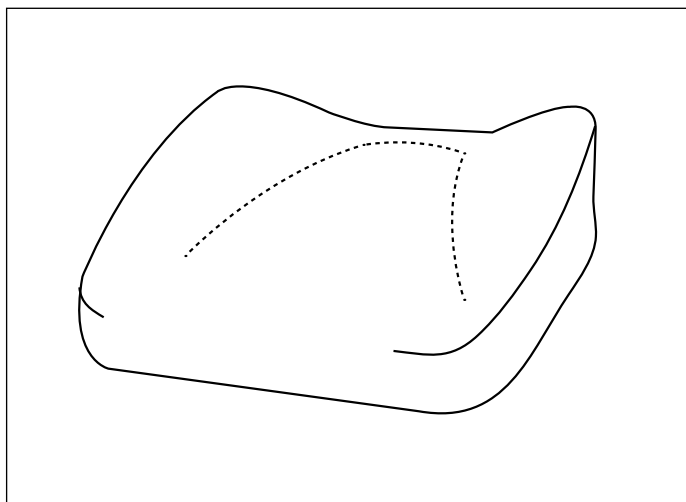
D01 Sits ErgoMedic PLUS  
Seat ErgoMedic PLUS



Pos Art.nr Benämning  
Pos Art.no Name

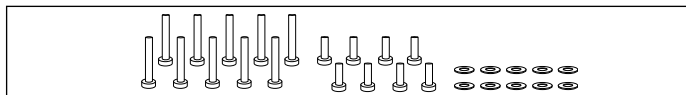
D01	1	ST200846	Sits ErgoMedic PLUS 48x53 Plysch Grå Seat ErgoMedic PLUS 48x53 Plush Grey
	2	ST201046 151461	Sits ErgoMedic PLUS 48x48 Plysch Grå Seat ErgoMedic PLUS 48x48 Plush Grey
	3	ST201346	Sits ErgoMedic PLUS 44x53 Plysch Grå Seat ErgoMedic PLUS 44x53 Plush Grey
	4	ST201546 151460	Sits ErgoMedic PLUS 44x48 Plysch Grå Seat ErgoMedic PLUS 44x48 Plush Grey
	5	ST202046 151462	Sits ErgoMedic PLUS 44x43 Plysch Grå Seat ErgoMedic PLUS 44x43 Plush Grey
	6	ST202546 151469	Sits ErgoMedic PLUS 40x48 Plysch Grå Seat ErgoMedic PLUS 40x48 Plush Grey
	7	ST203046 151463	Sits ErgoMedic PLUS 40x43 Plysch Grå Seat ErgoMedic PLUS 40x43 Plush Grey
	8	ST203546 151464	Sits ErgoMedic PLUS 40x39 Plysch Grå Seat ErgoMedic PLUS 40x39 Plush Grey
	9	ST204046 151467	Sits ErgoMedic PLUS 36x43 Plysch Grå Seat ErgoMedic PLUS 36x43 Plush Grey
	10	ST204546 151465	Sits ErgoMedic PLUS 36x39 Plysch Grå Seat ErgoMedic PLUS 36x39 Plush Grey
	11	ST205046 151466	Sits ErgoMedic PLUS 33x35 Plysch Grå Seat ErgoMedic PLUS 33x35 Plush Grey
	12	ST205546 151468	Sits ErgoMedic PLUS 29x32 Plysch Grå Seat ErgoMedic PLUS 29x32 Plush Grey

E01 Sits ErgoMedic PLUS Slow Recovery  
Seat ErgoMedic Slow Recovery



E01	1	ST210846	Sits EM PLUS Slow Recovery 48x53 Plysch Grå Seat EM PLUS Slow Recovery 48x53 Plush Grey
	2	ST211046 156461	Sits EM PLUS Slow Recovery 48x48 Plysch Grå Seat EM PLUS Slow Recovery 48x48 Plush Grey
	3	ST211346	Sits EM PLUS Slow Recovery 44x53 Plysch Grå Seat EM PLUS Slow Recovery 44x53 Plush Grey
	4	ST211546 156460	Sits EM PLUS Slow Recovery 44x48 Plysch Grå Seat EM PLUS Slow Recovery 44x48 Plush Grey
	5	ST212046 156462	Sits EM PLUS Slow Recovery 44x43 Plysch Grå Seat EM PLUS Slow Recovery 44x43 Plush Grey
	6	ST212546 156469	Sits EM PLUS Slow Recovery 40x48 Plysch Grå Seat EM Slow PLUS Recovery 40x48 Plush Grey
	7	ST213046 156463	Sits EM PLUS Slow Recovery 40x43 Plysch Grå Seat EM PLUS Slow Recovery 40x43 Plush Grey
	8	ST213546 156464	Sits EM PLUS Slow Recovery 40x39 Plysch Grå Seat EM PLUS Slow Recovery 40x39 Plush Grey
	9	ST214046 156467	Sits EM PLUS Slow Recovery 36x43 Plysch Grå Seat EM PLUS Slow Recovery 36x43 Plush Grey
	10	ST214546 156465	Sits EM PLUS Slow Recovery 36x39 Plysch Grå Seat EM PLUS Slow Recovery 36x39 Plush Grey
	11	ST215046 156466	Sits EM PLUS Slow Recovery 33x35 Plysch Grå Seat EM PLUS Slow Recovery 33x35 Plush Grey

F01

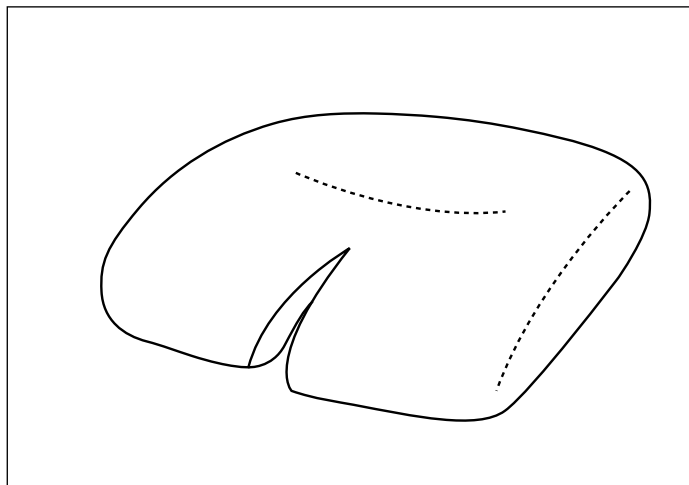


F01 803269 Skruvsats f monterig av sittplatta  
Screw kit for seat assembly

# Stycklista – Sittplatta Coxit

## Part list – Seat Coxit

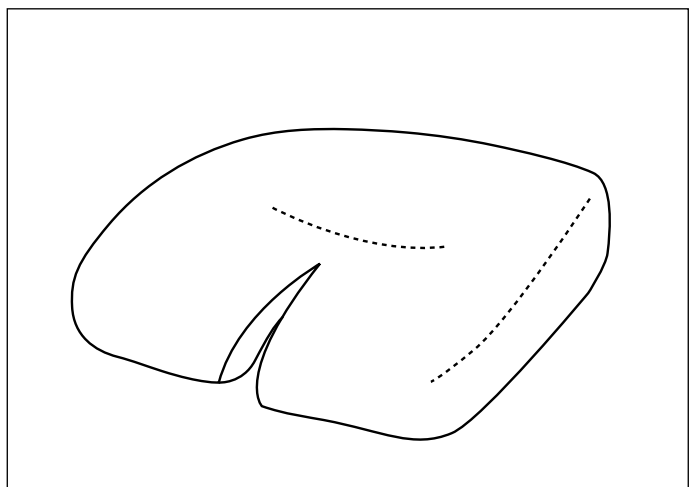
A01 Sits Coxit ErgoMedic  
Seat Coxit ErgoMedic



Pos Art.nr Benämning  
Pos Art.no Name

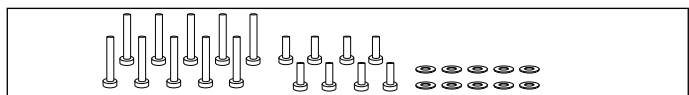
A01	1	<a href="#">ST131546</a> 160460	Sits Coxit Int ErgoMedic 44x48 Plysch Grå Seat Coxit Int ErgoMedic 44x48 Plush Grey
	2	<a href="#">ST131046</a> 160461	Sits Coxit Int ErgoMedic 48x48 Plysch Grå Seat Coxit Int ErgoMedic 48x48 Plush Grey
	3	<a href="#">ST132046</a> 160462	Sits Coxit Int ErgoMedic 44x43 Plysch Grå Seat Coxit Int ErgoMedic 44x43 Plush Grey
	4	<a href="#">ST132546</a> 160469	Sits Coxit Int ErgoMedic 40x48 Plysch Grå Seat Coxit Int ErgoMedic 40x48 Plush Grey
	5	<a href="#">ST133046</a> 160463	Sits Coxit Int ErgoMedic 40x43 Plysch Grå Seat Coxit Int ErgoMedic 40x43 Plush Grey
	6	<a href="#">ST133546</a> 160464	Sits Coxit Int ErgoMedic 40x39 Plysch Grå Seat Coxit Int ErgoMedic 40x39 Plush Grey

B01 Sits Coxit ErgoMedic Slow Recovery  
Seat Coxit ErgoMedic Slow Recovery



B01	1	<a href="#">ST141546</a> 165460	Sits Coxit Int ErgoMedic Slow 44x48 Plysch Grå Seat Coxit Int ErgoMedic Slow 44x48 Plush Grey
	2	<a href="#">ST141046</a> 165461	Sits Coxit Int ErgoMedic Slow 48x48 Plysch Grå Seat Coxit Int ErgoMedic Slow 48x48 Plush Grey
	3	<a href="#">ST142046</a> 165462	Sits Coxit Int ErgoMedic Slow 44x43 Plysch Grå Seat Coxit Int ErgoMedic Slow 44x43 Plush Grey
	4	<a href="#">ST142546</a> 165469	Sits Coxit Int ErgoMedic Slow 40x48 Plysch Grå Seat Coxit Int ErgoMedic Slow 40x48 Plush Grey
	5	<a href="#">ST143046</a> 165463	Sits Coxit Int ErgoMedic Slow 40x43 Plysch Grå Seat Coxit Int ErgoMedic Slow 40x43 Plush Grey
	6	<a href="#">ST143546</a> 165464	Sits Coxit Int ErgoMedic Slow 40x39 Plysch Grå Seat Coxit Int ErgoMedic Slow 40x39 Plush Grey

C01

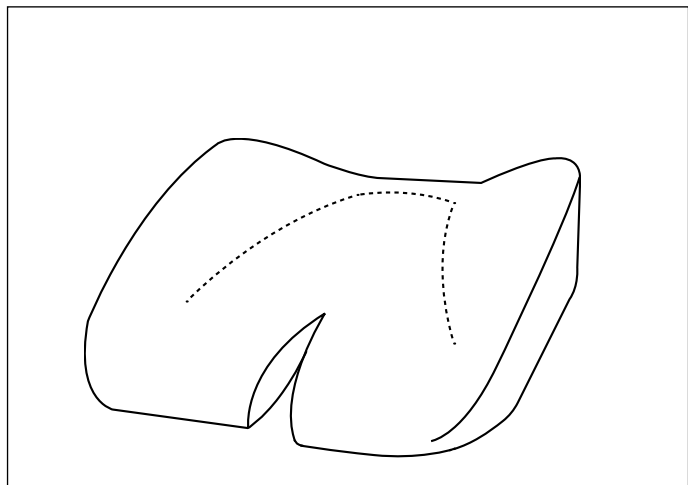


C01 [803269](#) Skruvsats f montering av sittplatta  
Screw kit for seat assembly

# Stycklista – Sittplatta Coxit

## Part list – Seat Coxit

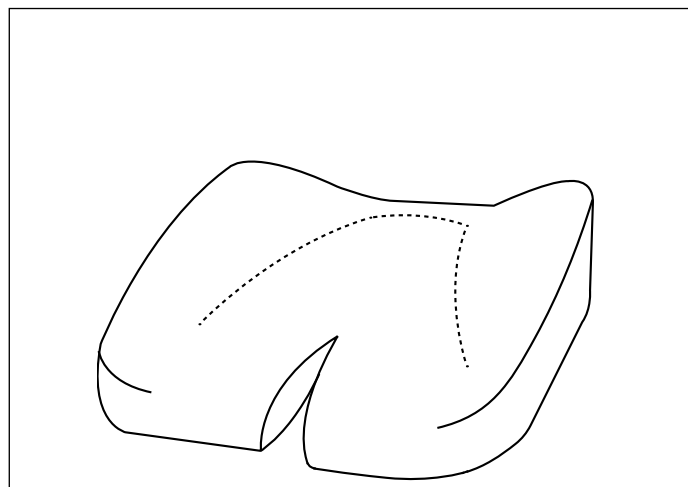
D01 Sits Coxit ErgoMedic PLUS  
Seat Coxit ErgoMedic PLUS



**Pos** **Art.nr** **Benämning**  
*Pos Art.no Name*

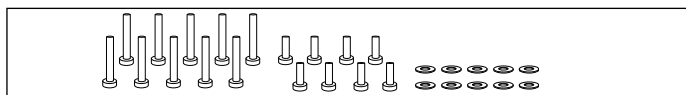
D01	1	<a href="#">ST231546</a> 161460	Sits Coxit Int EM PLUS 44x48 Plysch Grå Seat Coxit Int EM PLUS 44x48 Plush Grey
	2	<a href="#">ST231046</a> 161461	Sits Coxit Int EM PLUS 48x48 Plysch Grå Seat Coxit Int EM PLUS 48x48 Plush Grey
	3	<a href="#">ST232046</a> 161462	Sits Coxit Int EM PLUS 44x43 Plysch Grå Seat Coxit Int EM PLUS 44x43 Plush Grey
	4	<a href="#">ST232546</a> 161469	Sits Coxit Int EM PLUS 40x48 Plysch Grå Seat Coxit Int EM PLUS 40x48 Plush Grey
	5	<a href="#">ST233046</a> 161463	Sits Coxit Int EM PLUS 40x43 Plysch Grå Seat Coxit Int EM PLUS 40x43 Plush Grey
	6	<a href="#">ST233546</a> 161464	Sits Coxit Int EM PLUS 40x39 Plysch Grå Seat Coxit Int EM PLUS 40x39 Plush Grey

E01 Sits Coxit ErgoMedic PLUS Slow Recovery  
Seat Coxit ErgoMedic PLUS Slow Recovery



E01	1	<a href="#">ST241546</a> 166460	Sits Coxit Int EM PLUS Slow 44x48 Plysch Grå Seat Coxit Int EM PLUS Slow 44x48 Plush Grey
	2	<a href="#">ST241046</a> 166461	Sits Coxit Int EM PLUS Slow 48x48 Plysch Grå Seat Coxit Int EM PLUS Slow 48x48 Plush Grey
	3	<a href="#">ST242046</a> 166462	Sits Coxit Int EM PLUS Slow 44x43 Plysch Grå Seat Coxit Int EM PLUS Slow 44x43 Plush Grey
	4	<a href="#">ST242546</a> 166469	Sits Coxit Int EM PLUS Slow 40x48 Plysch Grå Seat Coxit Int EM Slow PLUS 40x48 Plush Grey
	5	<a href="#">ST243046</a> 166463	Sits Coxit Int EM PLUS Slow 40x43 Plysch Grå Seat Coxit Int EM PLUS Slow 40x43 Plush Grey
	6	<a href="#">ST243546</a> 166464	Sits Coxit Int EM PLUS Slow 40x39 Plysch Grå Seat Coxit Int EM PLUS Slow 40x39 Plush Grey

F01

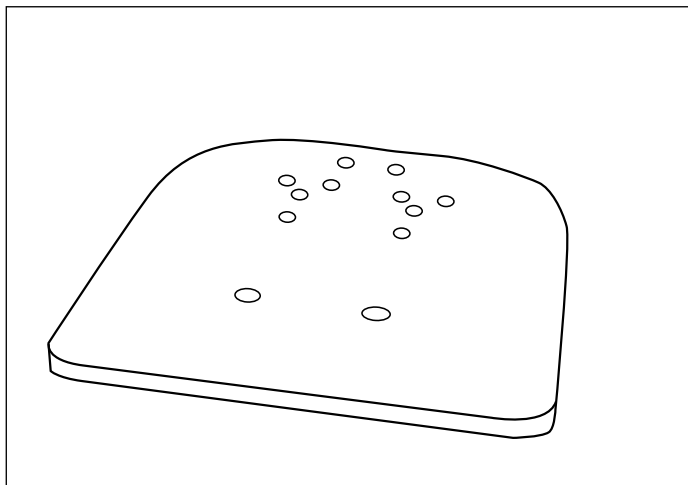


F01 [803269](#) Skruvsats f montering av sittplatta  
Screw kit for seat assembly

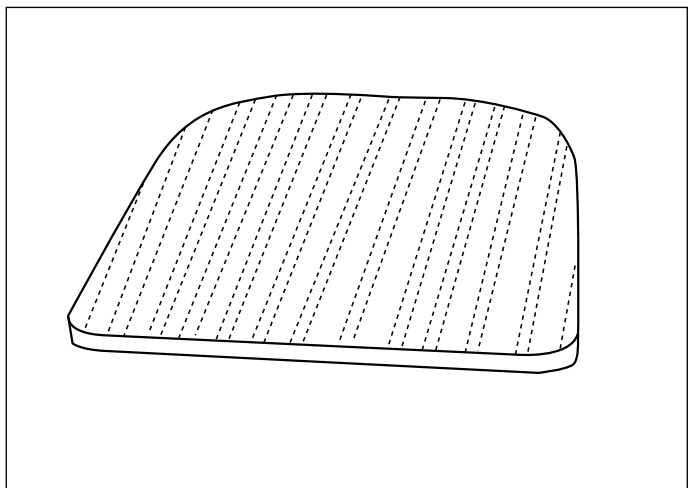
# Stycklista – Sittplatta

## Part list – Seat

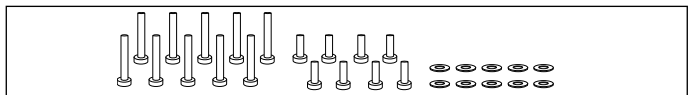
A01 Sittplatta endast träplatta  
Seat woodenplate whitout fabric



B01 Sittplatta Träplatta med antiglid  
Seat woodenplate with antiglide



C01



Pos Art.nr Benämning  
Pos Art.no Name

Pos	Art.nr	Benämning
Pos	Art.no	Name
A01 1	ST100890	Sits ErgoMedic 48x53 Träplatta u Stoppning Seat ErgoMedic 48x53 Woodenplate Without upholstery
2	ST101090 150901	Sits ErgoMedic 48x48 Träplatta u Stoppning Seat ErgoMedic 48x48 Woodenplate Without upholstery
3	ST101390	Sits ErgoMedic 44x53 Träplatta u Stoppning Seat ErgoMedic 44x53 Woodenplate Without upholstery
4	ST101590 150900	Sits ErgoMedic 44x48 Träplatta u Stoppning Seat ErgoMedic 44x48 Woodenplate Without upholstery
5	ST102090 150902	Sits ErgoMedic 44x43 Träplatta u Stoppning Seat ErgoMedic 44x43 Woodenplate Without upholstery
6	ST102590 150909	Sits ErgoMedic 40x48 Träplatta u Stoppning Seat ErgoMedic 40x48 Woodenplate Without upholstery
7	ST103090 150903	Sits ErgoMedic 40x43 Träplatta u Stoppning Seat ErgoMedic 40x43 Woodenplate Without upholstery
8	ST103590 150904	Sits ErgoMedic 40x39 Träplatta u Stoppning Seat ErgoMedic 40x39 Woodenplate Without upholstery
9	ST104090 150907	Sits ErgoMedic 36x43 Träplatta u Stoppning Seat ErgoMedic 36x43 Woodenplate Without upholstery
10	ST104590 150905	Sits ErgoMedic 36x39 Träplatta u Stoppning Seat ErgoMedic 36x39 Woodenplate Without upholstery
11	ST105090 150906	Sits ErgoMedic 33x35 Träplatta u Stoppning Seat ErgoMedic 33x35 Woodenplate Without upholstery
12	ST105590 150908	Sits ErgoMedic 29x32 Träplatta u Stoppning Seat ErgoMedic 29x32 Woodenplate Without upholstery

B01 1	ST100861	Sits ErgoMedic 48x53 Antiglid matta Seat ErgoMedic 48x53 Antiglide
2	ST101061 150611	Sits ErgoMedic 48x48 Antiglid matta Seat ErgoMedic 48x48 Antiglide
3	ST101361	Sits ErgoMedic 44x53 Antiglid matta Seat ErgoMedic 44x53 Antiglide
4	ST101561 150610	Sits ErgoMedic 44x48 Antiglid matta Seat ErgoMedic 44x48 Antiglide
5	ST102061 150612	Sits ErgoMedic 44x43 Antiglid matta Seat ErgoMedic 44x43 Antiglide
6	ST102561 150619	Sits ErgoMedic 40x48 Antiglid matta Seat ErgoMedic 40x48 Antiglide
7	ST103061 150613	Sits ErgoMedic 40x43 Antiglid matta Seat ErgoMedic 40x43 Antiglide
8	ST103561 150614	Sits ErgoMedic 40x39 Antiglid matta Seat ErgoMedic 40x39 Antiglide
9	ST104061 150617	Sits ErgoMedic 36x43 Antiglid matta Seat ErgoMedic 36x43 Antiglide
10	ST104561 150615	Sits ErgoMedic 36x39 Antiglid matta Seat ErgoMedic 36x39 Antiglide
11	ST105061 150616	Sits ErgoMedic 33x35 Antiglid matta Seat ErgoMedic 33x35 Antiglide
12	ST105561 150618	Sits ErgoMedic 29x32 Antiglid matta Seat ErgoMedic 29x32 Antiglide

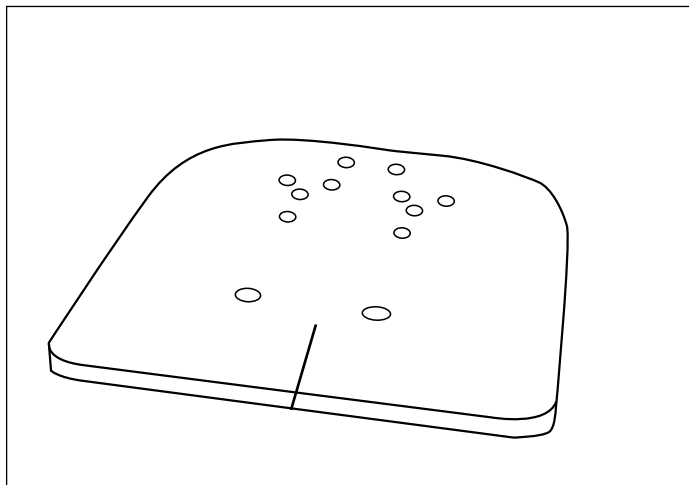
C01 803269 Skruvsats f montering av sittplatta  
Screw kit for seat assembly



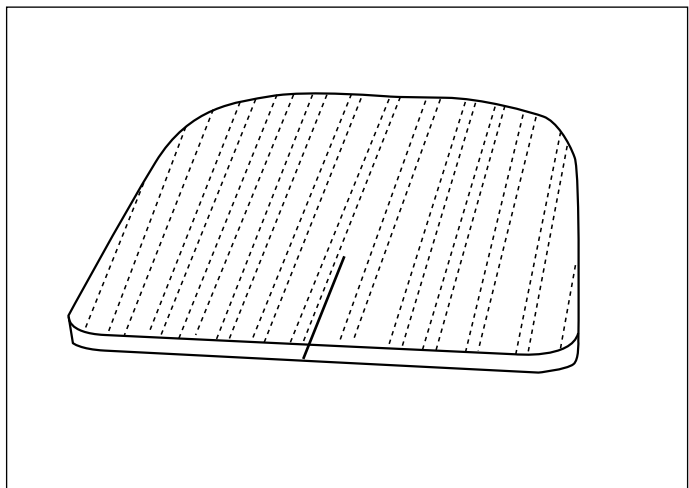
# Stycklista – Sittplatta Coxit

## Part list – Seat Coxit

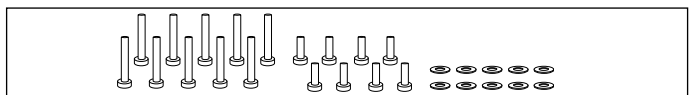
D01 Sittplatta Coxit endast träplatta  
Seat Coxit woodenplate whitout fabric



E01 Sittplatta Träplatta Coxit med antiglid  
Seat ErgoMedic Coxit with antiglide



F01



Pos Art.nr Benämning  
Pos Art.no Name

Pos	Art.nr	Benämning
D01 1	ST131590 160900	Sits ErgoM Coxit 44x48 Träplatta u Stopning Seat ErgoM Coxit 44x48 Woodenplate Without fabric
2	ST131090 160901	Sits ErgoM Coxit 48x48 Träplatta u Stopning Seat ErgoM Coxit 48x48 Woodenplate Without fabric
3	ST132090 160902	Sits ErgoM Coxit 44x43 Träplatta u Stopning Seat ErgoM Coxit 44x43 Woodenplate Without fabric
4	ST132590 160909	Sits ErgoM Coxit 40x48 Träplatta u Stopning Seat ErgoM Coxit 40x48 Woodenplate Without fabric
5	ST133090 160903	Sits ErgoM Coxit 40x43 Träplatta u Stopning Seat ErgoM Coxit 40x43 Woodenplate Without fabric
6	ST133590 160904	Sits ErgoM Coxit 40x39 Träplatta u Stopning Seat ErgoM Coxit 40x39 Woodenplate Without fabric

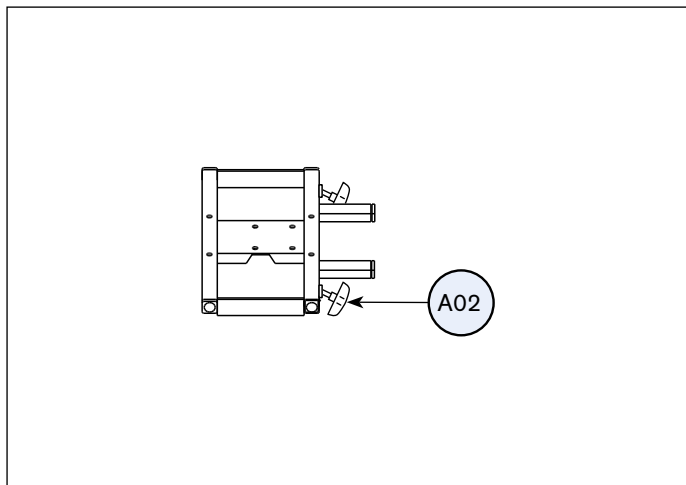
Pos	Art.nr	Benämning
E01 1	ST131561 160610	Sits ErgoMedic Coxit 44x48 Antiglid matta Seat ErgoMedic Coxit 44x48 Antiglide
2	ST131061 160611	Sits ErgoMedic Coxit 48x48 Antiglid matta Seat ErgoMedic Coxit 48x48 Antiglide
3	ST132061 160612	Sits ErgoMedic Coxit 44x43 Antiglid matta Seat ErgoMedic Coxit 44x43 Antiglide
4	ST132561 160619	Sits ErgoMedic Coxit 40x48 Antiglid matta Seat ErgoMedic Coxit 40x48 Antiglide
5	ST133061 160613	Sits ErgoMedic Coxit 40x43 Antiglid matta Seat ErgoMedic Coxit 40x43 Antiglide
6	ST133561 160614	Sits ErgoMedic Coxit 40x39 Antiglid matta Seat ErgoMedic Coxit 40x39 Antiglide

F01 803269 Skruvsats f montering av sittplatta  
Screw kit for seat assembly

# Stycklista – Sittkryss

## Part list – Seatframe

A01 Sittkryss vinkelfast  
Seatframe without angle adjustment

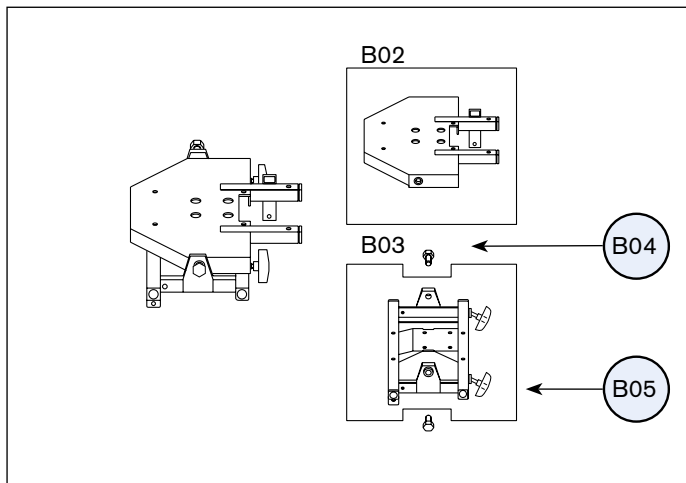


Pos Art.nr Benämning  
Pos Art.no Name

A01	1	801231	Sittkryss 6100 Vf Br40-54 cm Seatframe 6100 without angle adjustment
	2	801378	Sittkryss 6100 Vf Br33-39 cm Seatframe 6100 without angle adjustment

A02 803005 Stjärnratt Plus M8x40 (Braga gummerad)  
Gummed knob PLUS M8x40

B01 Sittkryss vinkelställbart  
Angle adjustable seatframe



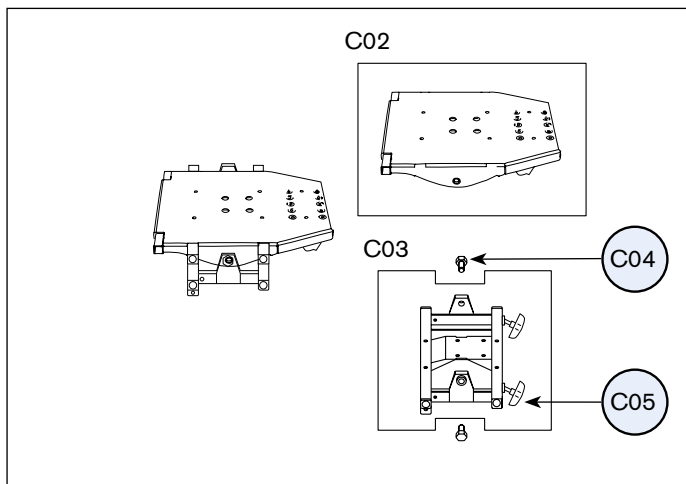
B01	1	804156	Sittkryssmekanism 6100 Vs Br40-54 cm (Vuxen) Seatframe 6100 angle adjustment width 40-54 cm
	2	804157	Sittkryssmekanism 6100 Vs Br33-39 cm (Barn) Seatframe 6100 angle adjustment width 33-39 cm
B02		801310	Sittkryss 6100 Vs Överdel Br33-54 cm (Mobil Barn/Vuxen) Seatframe 6100 angle adjustment width 33-54 cm

B03	1	801308	Sittkryss 61/6800 Vs Underdel Br40-54 cm (Mobil Vuxen) Seatframe 61/6800 angle adjustment width 40-54 cm
	2	801309	Sittkryss 6100 Vs Underdel Br33-39 cm (Mobil Barn) Seatframe 6100 angle adjustment width 33-39 cm

B04 801224 Lagerskruv vinkelställb.  
Screw angle adjustable

B05 803005 Stjärnratt Plus M8x40 (Braga gummerad)  
Gummed knob PLUS M8x40

C01 Sittkryss allvinkel  
Allangle seatframe



C01	1	803072	Sittkryss 6100 Vs -15/+23 gr. Överd./Underd. Br40-54 cm Vuxen Seatframe 6100 adj. angle 15-23° upper/lower width 40-54 cm
	2	803073	Sittkryss 6100 Vs -15/+23 gr. Överd./Underd. Br33-39 cm Barn Seatframe 6100 adj. angle 15-23° upper/lower width 33-39 cm

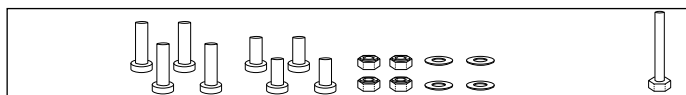
C02	1	802829	Sittkryss 6100 Vs -15/+23 gr. Överdel Br40-54 cm Vuxen Seatframe 6100 adj. angle 15/23° upperpart width 40-54 cm
	2	802830	Sittkryss 6100 Vs -15/+23 gr. Överdel Br33-39 cm Barn Seatframe 6100 adj. angle 15/23° upperpart width 33-39 cm

C03	1	801308	Sittkryss 61/6800 Vs Underdel Br40-54 cm (Vuxen) Seatframe 61/6800 angle adj. lower section width 40-54 cm
	2	801309	Sittkryss Vs Undre 6100 Br33-39 cm (Barn) Seatframe 6100 angle adj. lower section width 33-39 cm

C04 801224 Lagerskruv vinkelställb.  
Screw angle adjustable

C05 803005 Stjärnratt Plus M8x40 (Braga gummerad)  
Gummed knob PLUS M8x40

D01 Skruvsats för lyftomat  
Screw kit for liftomat assembly

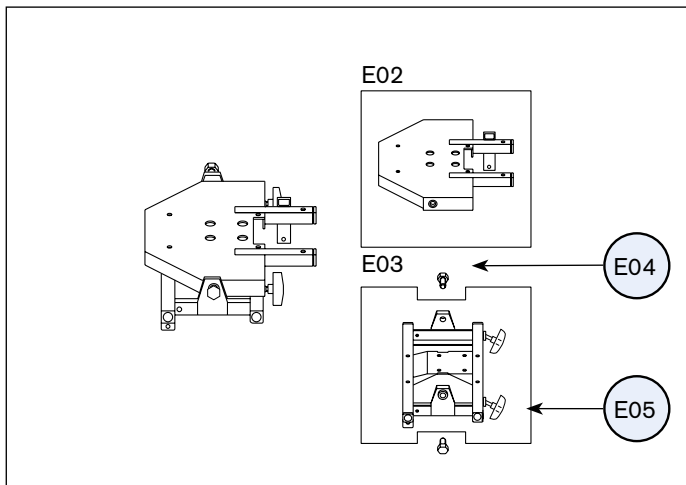


D01 803268 Skruvsats f montering av manuell eller el-lyftomat  
Screw kit for liftomat assembly or electric liftomat

# Stycklista – Sittkryss

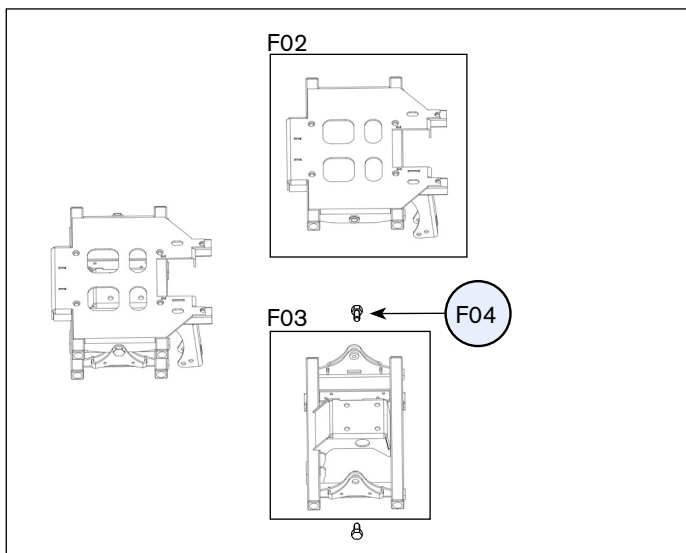
## Part list – Seatframe

E01 Sittkryss vinkelställbart Mini  
Angle adjustable seatframe Mini



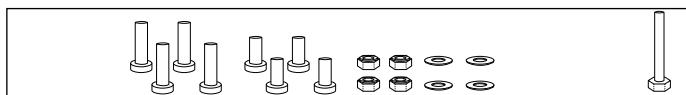
Pos	Art.nr	Benämning
Pos	Art.no	Name
E01	600351	Sittkryss 6100 Mini Vs kpl Br25-34 cm (Barn) Seatframe 6100 PLUS Mini
E02	600352	Sittkryss 6100 Mini Vs Underdel Br25-34 cm (Barn) Seatframe 6100 lower part Mini
E03	600353	Sittkryss 6100 Mini Vs Överdel Br25-34 cm (Barn) Seatframe 6100 upper part Mini
E04	801224	Lagerskruv vinkelställbar Screw angle adjustable
E05	803005	Stjärnratt Plus M8x40 (Braga gummerad) Gummed knob PLUS M8x40

F01 Sittkryss vinkelställbart -15/+15°  
Angle adjustable seatframe



F01	3	804614	Sittkryssmek 6100 Vs -15/+15 Br29-33 Mini DX2 -
F02	1	804567	Sittkryss Vs Över 6100/9000 -15/+15 Br40-54 Vuxen -
	2	804565	Sittkryss Vs Över 6100/9000 -15/+15 Br36-40 Barn -
	3	804563	Sittkryss Vs Över 6100/9000 -15/+15 Br 29-33 Mini/Barn -
F03	1	804594	Sittkryss Vs Under 6100/9000 -15/+15 Br40-54 (Vuxen) svets -
	2	804593	Sittkryss Vs Under 6100/9000 -15/+15 Br36-40 (Barn) svets -
	3	804592	Sittkryss Vs Under 6100/9000 -15/+15 Br29-33 (Mini) svets -
F04	1	803578	Lagerskruv f vinkelställbara sittkryss M8 gänga -
		804604	Fäste för ACT box -
		802278	Popnit BN 4.8x12 AL/ST -

G01 Skruvsats för lyftomat  
Screw kit for liftomat assembly

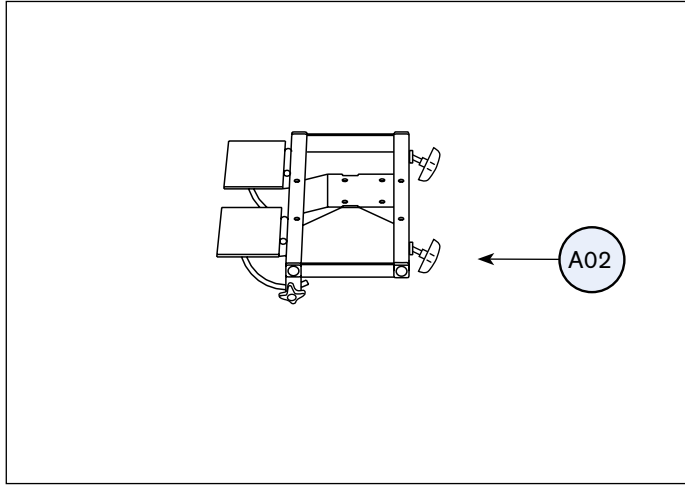


G01	803268	Skruvsats f montering av manuell eller el-lyftomat Screw kit for liftomat assembly or electric liftomat
-----	--------	--

# Stycklista – Sittkryss Coxit

## Part list – Seatframe Coxit

A01 Sittkryss vinkelfast coxit  
*Seatframe coxit without angle adjustment*

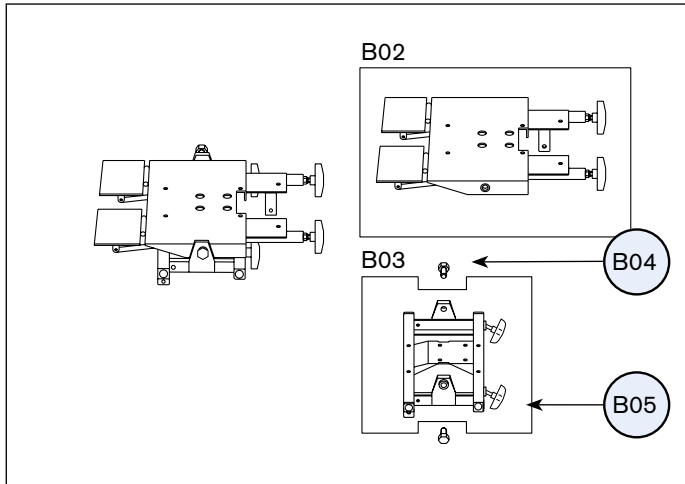


Pos	Art.nr	Benämning
Pos	Art.no	Name

A01	600240	Sittkryssmekanism 6800 Vf Coxit Br40-54 endast 280 ställdon <i>Seatframe 6800 without angle adjustment                      Coxit 40-54 cm only el. lift</i>
-----	--------	--

A02	803005	Stjärnratt Plus M8x40 (Braga gummerad) <i>Gummed knob PLUS M8x40</i>
-----	--------	---

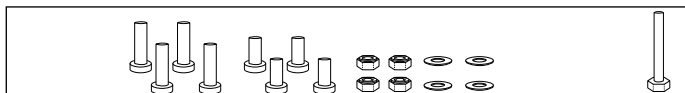
B01 Sittkryss vinkelställbart coxit  
*Angle adjustable coxit seatframe*



B02	600238	Sittkryss Vs övre 6800 Coxit Br40-54 cm <i>Seatframe Upper part 6800 Coxit angle adjustment                      width 40-54 cm</i>
-----	--------	--

B03	801308	Sittkryss 61/6800 Vs Underdel Br40-54 (Mobil Vuxen) <i>Seatframe Lower part 6800 Coxit angle adjustment                      width 40-54 cm</i>
-----	--------	--

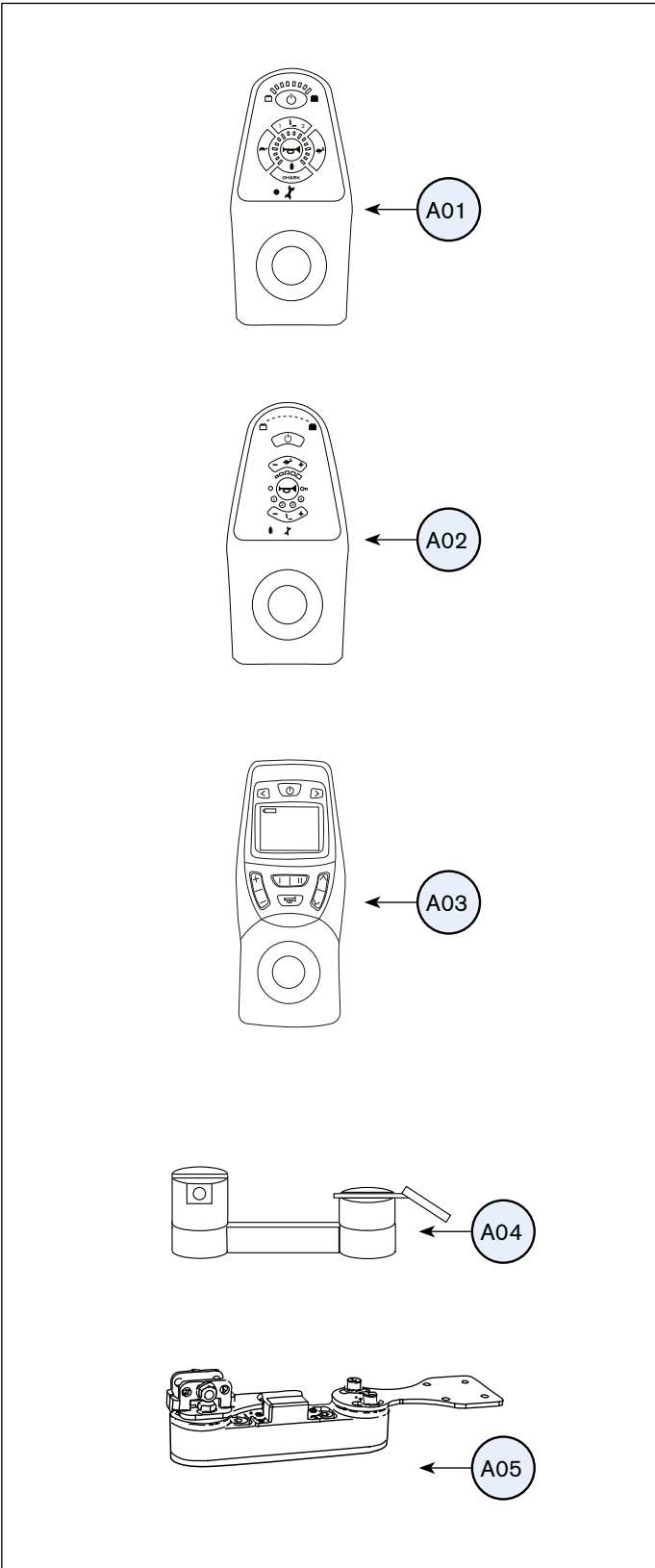
C01 Skruvsats för lyftomat  
*Screw kit for liftomat assembly*



# Stycklista – Manöverboxar

## Part list – Control box

A

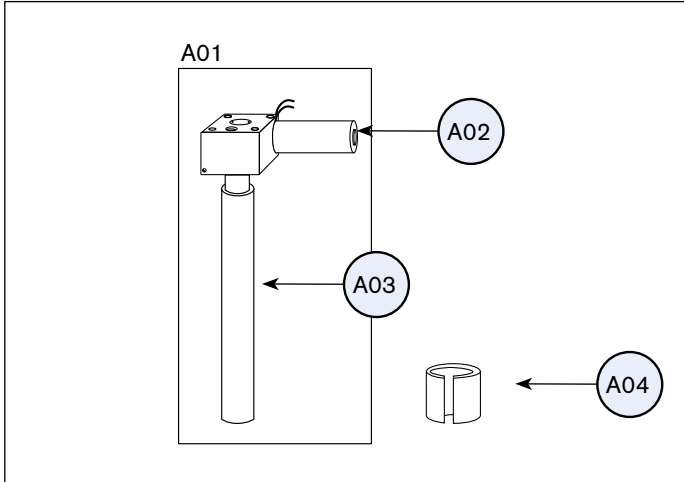


Pos	Art.nr	Benämning
Pos	Art.no	Name
A01	<b>BOX0010</b>	Manöverbox 6100 Shark <i>Remote 6100 Shark</i>
A02	<b>BOX1010</b>	Manöverbox 6100 DX2 LED (DX2-REM 421) <i>Remote DX2 LED (DX2-REM 421)</i>
A03	<b>BOX1020</b>	Manöverbox 6100 DX2 LCD färg (DX2-REM550) <i>Remote DX2 LCD (DX2-REM550)</i>
A04	1 <b>OA1011</b>	Manöverarm 6100 115 mm kpl. f DX <i>Operating arm 6100 115 mm cpl.</i>
	2 <b>OA1021</b>	Manöverarm 6100 95 mm kpl. f DX <i>Operating arm 6100 95 mm cpl. DX</i>
	3 <b>OA2011</b>	Manöverarm 6100 115 mm kpl. f SHARK <i>Operating arm 6100 115 mm cpl. SHARK</i>
	4 <b>OA2021</b>	Manöverarm 6100 95 mm kpl. f SHARK <i>Operating arm 6100 95 mm cpl. SHARK</i>
A05	1 <b>OA1031</b>	ParaLoc enkel t manöverbox DX2 f Real 6100, hö <i>ParaLoc, right</i>
	2 <b>OA1032</b>	ParaLoc enkel t manöverbox DX2 f Real 6100, vä <i>ParaLoc, left</i>
	3 <b>OA2031</b>	Paraloc Shark Joystick H sida <i>ParaLoc Shark Joystick Right side</i>
	4 <b>OA2032</b>	Paraloc Shark Joystick V sida <i>ParaLoc Shark Joystick Left side</i>

# Stycklista – Ellyftomat

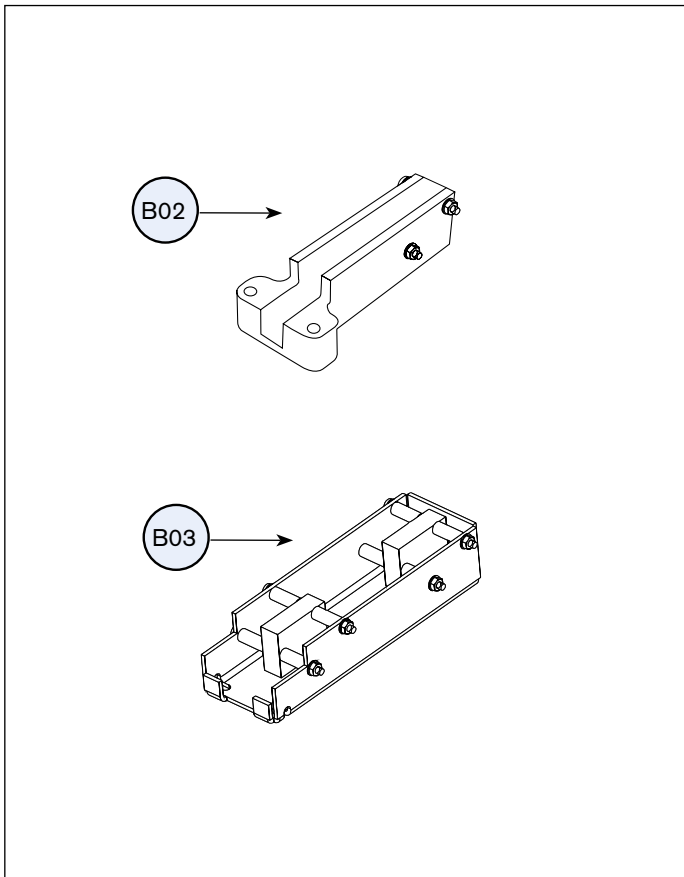
## Part list – Ellyftomat

### A Utan rotation Without rotation



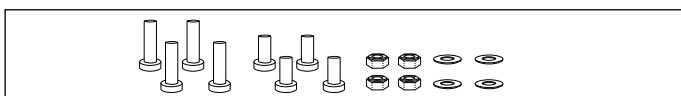
Pos	Art.nr	Benämning
Pos	Art.no	Name
A01 1	600178	Ellyftomat 20 cm Mobil ser.3/4 inkl.kontakt mm <i>Electric height adjustment 20 cm</i>
2	600177	Ellyftomat 28cm Mobil ser.3/4 inkl.kontakt mm <i>Electric height adjustment 28 cm</i>
3	804414	Ellyftomat 15cm Mobil ser.3/4 inkl.kontakt mm <i>Electric height adjustment 15 cm</i>
A02 1	800272	Motor M48x50 24V 5500rpm <i>Motor M48x50 24V 5500rpm</i>
A03 1	802532	Ytterrör+Spårrör+Kil linjärstyrning 280 Mobil <i>Outer tube+track tube 280 Mobile</i>
2	802525	Ytterrör+Spårrör+Kil linjärstyrning 200 Mobil <i>Outer tube+track tube 200 Mobile</i>
3	804388	Ytterrör+Spårrör+Kil linjärstyrning 150 Mobil <i>Outer tube+track tube 150 Mobile</i>
A04	600385	Klämförbandshylsa aluminium <i>Inset for Electric liftomat clamps lining</i>

### B01 Mikrobrytare Microswitch Attachments



B02	600398	Mikrobrytarfäste 6100 PLUS kpl DX2 f 200 ställdon 1 bryt <i>Microswitch attachment 6100 PLUS cpl DX2 200 Actuators 1 switch</i>
B03	600389	Mikrobrytarfäste 6100 PLUS kpl DX2 f 280 ställdon 2 bryt <i>Microswitch attachment 6100 PLUS cpl DX2 280 Actuators 2 switch</i>

### D01 Skruvsats för lyftomat Screw kit for liftomat assembly

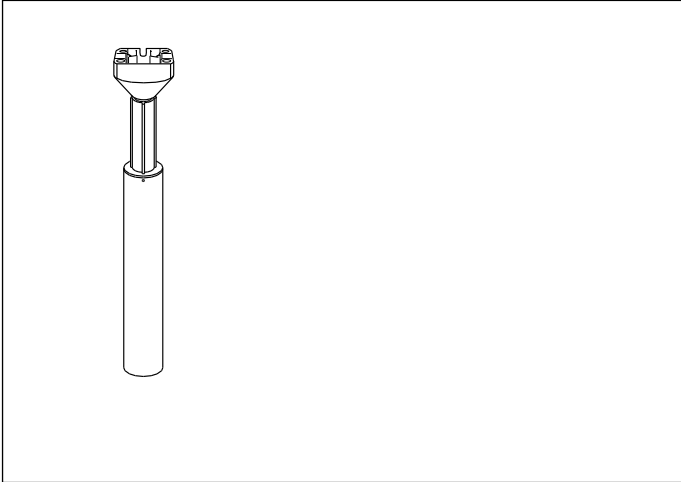


D01	803268	Skruvsats f montering av manuell eller el-lyftomat <i>Screw kit for liftomat assembly or electric liftomat</i>
-----	--------	---

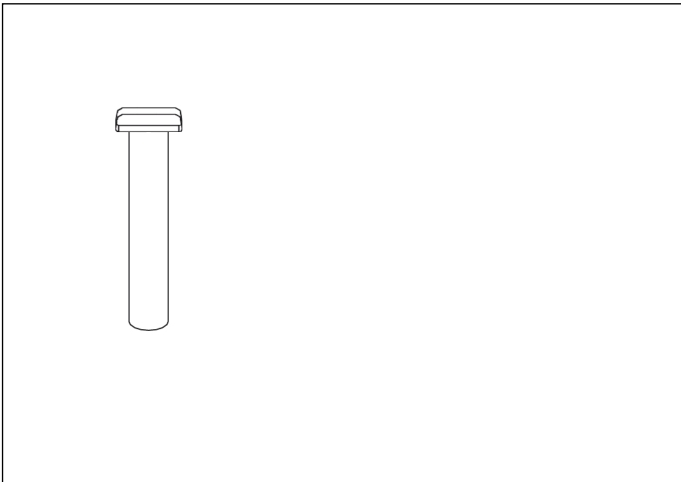
# Stycklista – Fixlyftomat

## Part list – Fixlyftomat

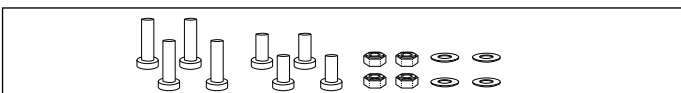
E01 Fixlyftomat  
Fixliftomat



F01 Fast lyftomat  
Fixed Fixliftomat



H01 Skruvsats för lyftomat  
Screw kit for liftomat assembly



Pos Art.nr Benämning  
Pos Art.no Name

E01	1	803987	Fixlyftomat 200mm 55-90 kg tryck m Alufäste Fixliftomat 200mm 55-90 kg with aluminium grip
	2	803985	Fixlyftomat 200mm <55 kg tryck m Alufäste Fixliftomat 200mm <55 kg with aluminium grip
	3	803989	Fixlyftomat 200mm 90-130 kg tryck m Alufäste Fixliftomat 200mm 90-130 kg with aluminium grip
	4	803981	Fixlyftomat 140mm 55-90 kg tryck m Alufäste Fixliftomat 140mm 55-90 kg with aluminium grip
	5	803979	Fixlyftomat 140mm <55 kg tryck m Alufäste Fixliftomat 140mm <55 kg with aluminium grip
	6	803983	Fixlyftomat 140mm 90-130 kg tryck m Alufäste Fixliftomat 140mm 90-130 kg with aluminium grip

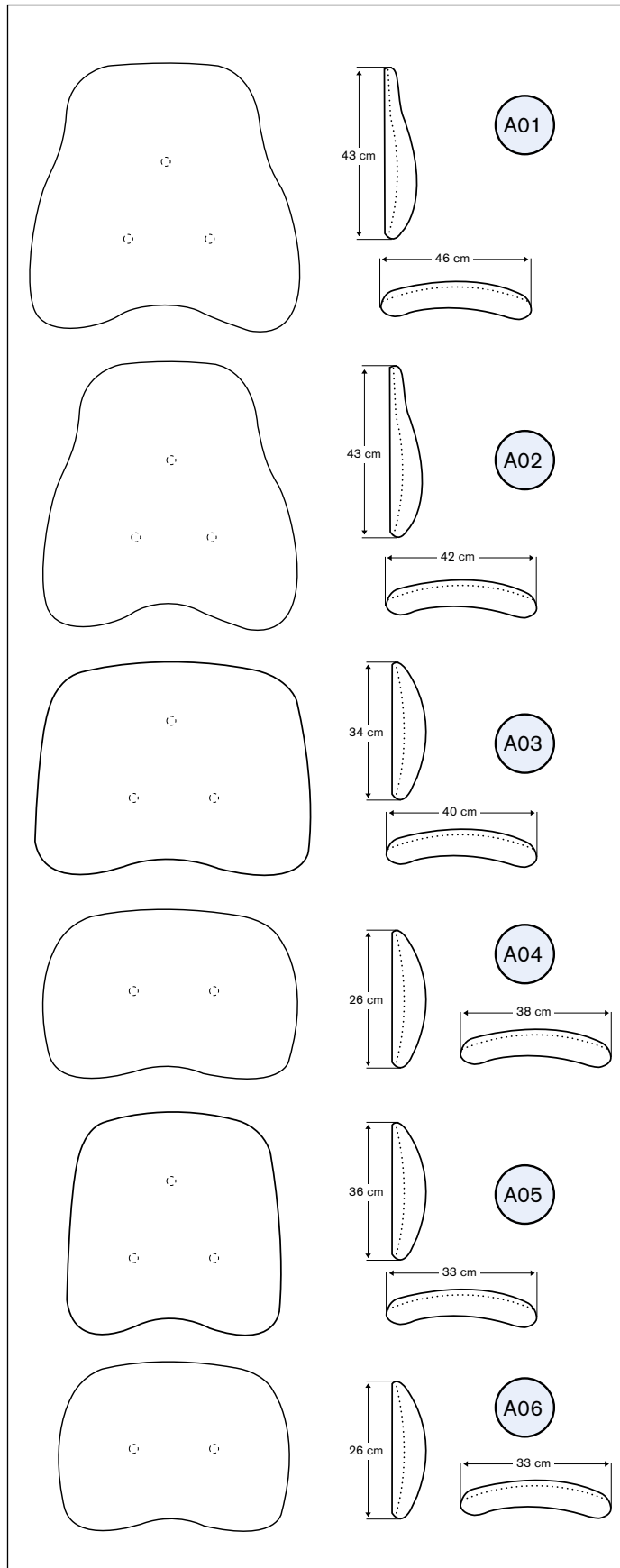
F01	1	803226	Fixlyftomat fast för sitthöjd 41-45cm Spider (37cm) Fixlift. Fixed Seat height 41-45cm Spider (37cm)
	2	804040	Fixlyftomat fast för sitthöjd 37-41cm Spider (34cm) Fixlift. Fixed Seat height 37-41cm Spider (34cm)
	3	803848	Fixlyftomat fast för sitthöjd 32-37cm Spider (29cm) Fixlift. Fixed Seat height 32-37cm Spider (29cm)
	4	803847	Fixlyftomat fast för sitthöjd 27-32cm Spider (24cm) Fixlift. Fixed Seat height 27-32cm Spider (24cm)
	5	803846	Fixlyftomat fast för sitthöjd 22-27cm Spider (19cm) Fixlift. Fixed Seat height 22-27cm Spider (19cm)
	6	803298	Fixlyftomat fast för sitthöjd 17-22cm Spider (14cm) Fixlift. Fixed Seat height 17-22cm Spider (14cm)

H01	803268	Skruvsats f montering av manuell eller el-lyftomat Screw kit for liftomat assembly or electric liftomat
-----	--------	--

# Stycklista – Ryggplatta

## Part list – Backrest

A Ryggar ErgoMedic  
Backrest ErgoMedic



Pos Art.nr Benämning  
Pos Art.no Name

A01 1 BR101046 Rygg ErgoMedic 46x43 Plysch Grå  
Backrest ErgoMedic 42x43 Plush Grey

A02 1 BR101546 Rygg ErgoMedic 42x43 Plysch Grå  
210468 Backrest ErgoMedic 42x43 Plush Grey  
2 BR111546 Rygg ErgoMedic 42x43 Plysch Grå Slowrec.  
215468 Back ErgoMedic 42x43 Plush Grey Slowrec.

A03 1 BR103046 Rygg ErgoMedic 40x34 Plysch Grå  
210461 Backrest ErgoMedic 40x34 Plush Grey  
2 BR303046 Rygg ErgoM. f bälstöd 40x34 Plysch Grå  
211461 Backr. ErgoM. trunks. 40x34 Plush Grey  
3 BR113046 Rygg ErgoMedic 40x34 Plysch Grå Slowrec.  
215461 Back ErgoMedic 40x34 Plush Grey Slowrec.  
4 BR313046 Rygg ErgoM. f bälstöd 40x34 Plysch Grå Slowrec.  
216461 Backr. ErgoM. trunks. 40x34 Plush Grey Slowrec.

A04 1 BR105546 Rygg ErgoMedic 38x26 Plysch Grå  
210460 Backrest ErgoMedic 38x26 Plush Grey  
2 BR115546 Rygg ErgoMedic 38x26 Plysch Grå Slowrec.  
215460 Back ErgoMedic 38x26 Plush Grey Slowrec.

A05 1 BR102546 Rygg ErgoMedic 33x36 Plysch Grå  
210463 Backrest ErgoMedic 33x36 Plush Grey  
2 BR112546 Rygg ErgoMedic 33x36 Plysch Grå Slowrec.  
215463 Back ErgoMedic 33x36 Plush Grey Slowrec.

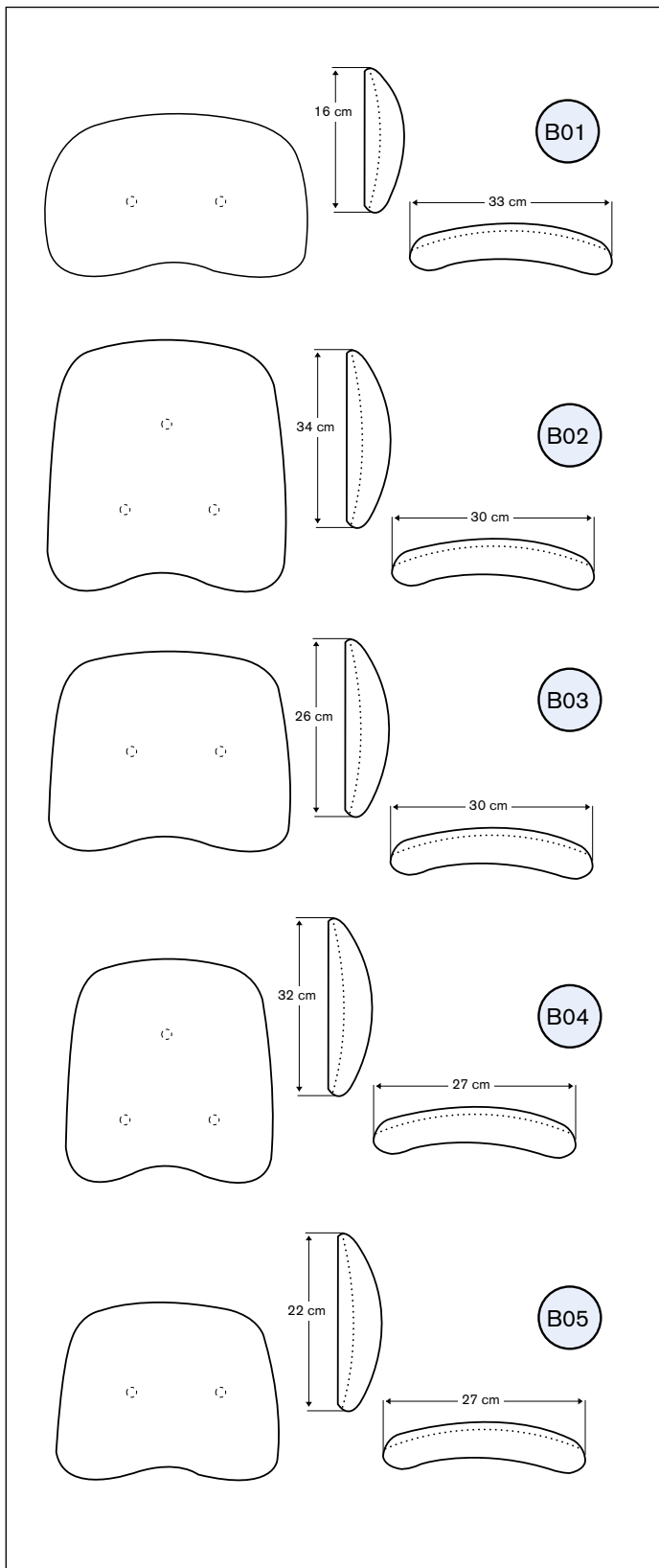
A06 1 BR106046 Rygg ErgoMedic 33x26 Plysch Grå  
210462 Backrest ErgoMedic 33x26 Plush Grey  
2 BR116046 Rygg ErgoMedic 33x26 Plysch Grå Slowrec.  
215462 Back ErgoMedic 33x26 Plush Grey Slowrec.



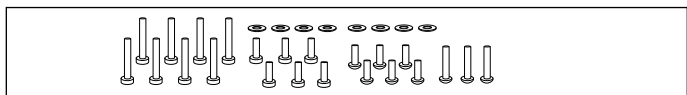
# Stycklista – Ryggplatta

## Part list – Backrest

B Ryggar ErgoMedic  
Backrest ErgoMedic



C01 Skruvsats för montering av rygg och ryggfällning  
Screw kit for backrest assembly



Pos Art.nr Benämning  
Pos Art.no Name

B01 [BR109046](#) Magplatta/Rygg Classic 33x16 Plysch Grå  
230461 Stomach support/Backrest Classic 33x16 Plush Grey

B02 1 [BR103546](#) Rygg ErgoMedic 30x34 Plysch Grå  
210465 Backrest ErgoMedic 30x34 Plush Grey  
2 [BR113546](#) Rygg ErgoMedic 30x34 Plysch Grå Slowrec.  
215465 Back ErgoMedic 30x34 Plush Grey Slowrec.

B03 1 [BR106546](#) Rygg ErgoMedic 30x26 Plysch Grå  
210464 Backrest ErgoMedic 30x26 Plush Grey  
2 [BR116546](#) Rygg ErgoMedic 30x26 Plysch Grå Slowrec.  
215464 Back ErgoMedic 30x26 Plush Grey Slowrec.

B04 1 [BR104546](#) Rygg ErgoMedic 27x32 Plysch Grå  
210467 Backrest ErgoMedic 27x32 Plush Grey  
2 [BR114546](#) Rygg ErgoMedic 27x32 Plysch Grå Slowrec.  
215467 Back ErgoMedic 27x32 Plush Grey Slowrec.

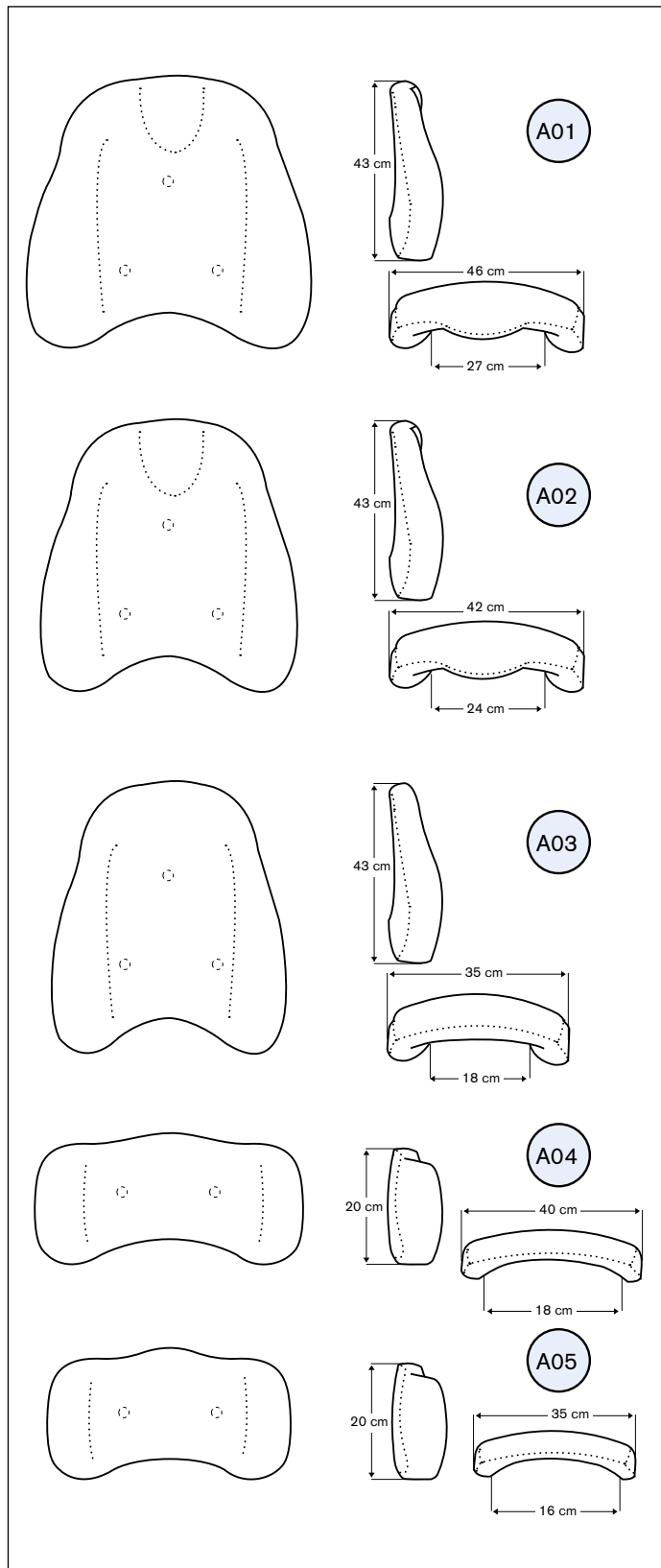
B05 1 [BR107046](#) Rygg ErgoMedic 27x22 Plysch Grå  
210466 Backrest ErgoMedic 27x22 Plush Grey  
2 [BR117046](#) Rygg ErgoMedic 27x22 Plysch Grå Slowrec.  
215466 Back ErgoMedic 27x22 Plush Grey Slowrec.

C01 [803270](#) Skruvsats f montering av rygg och ryggfällning  
Screw kit for backrest assembly

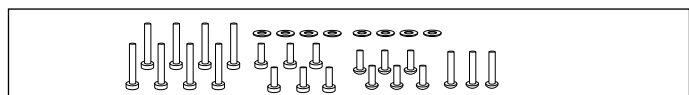
# Stycklista – Ryggplatta

## Part list – Backrest

A Ryggar ErgoMedic PLUS  
Backrest ErgoMedic PLUS



B01 Skruvsats för montering av rygg och ryggfällning  
Screw kit for backrest assembly



Pos Art.nr Benämning  
Pos Art.no Name

A01 1 BR201046 Rygg ErgoMedic PLUS 46x43 Plysch Grå  
251469 Backrest ErgoMedic PLUS 46x43 Plush Grey  
2 BR221046 Rygg ErgoMedic PLUS 46x43 Plysch Grå Slowrec.  
256469 Back ErgoMedic PLUS 46x43 Plush Grey Slowrec.

A02 1 BR201546 Rygg ErgoMedic PLUS 42x43 Plysch Grå  
251468 Backrest ErgoMedic PLUS 42x43 Plush Grey  
2 BR221546 Rygg ErgoMedic PLUS 42x43 Plysch Grå Slowrec.  
256468 Back ErgoMedic PLUS 42x43 Plush Grey Slowrec.

A03 1 BR202046 Rygg ErgoMedic PLUS 35x43 Plysch Grå  
251463 Backrest ErgoMedic PLUS 35x43 Plush Grey  
2 BR222046 Rygg ErgoMedic PLUS 35x43 Plysch Grå Slowrec.  
256463 Back ErgoMedic PLUS 35x43 Plush Grey Slowrec.

A04 1 BR207546 Rygg ErgoMedic PLUS 40x20 Plysch Grå  
251460 Backrest ErgoMedic PLUS 40x20 Plush Grey  
2 BR227546 Rygg ErgoMedic PLUS 40x20 Plysch Grå Slowrec.  
256460 Back ErgoMedic PLUS 40x20 Plush Grey Slowrec.

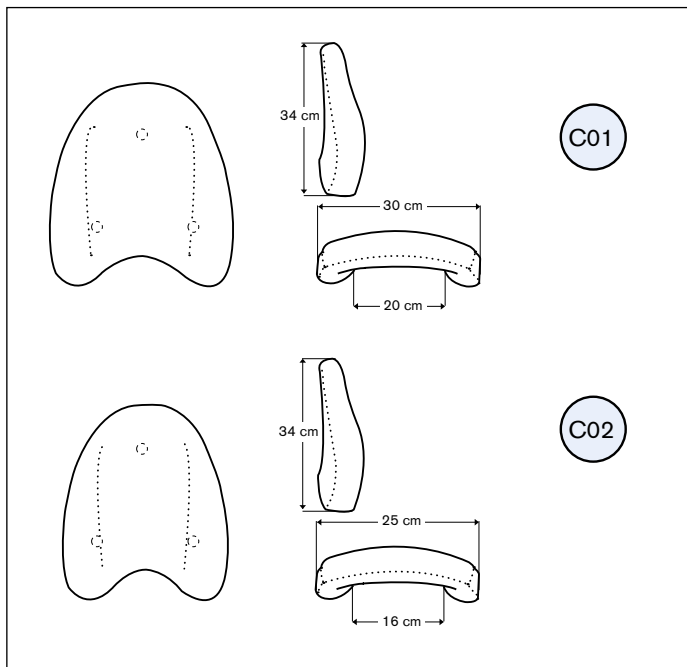
A05 1 BR208046 Rygg ErgoMedic PLUS 35x20 Plysch Grå  
251462 Backrest ErgoMedic PLUS 35x20 Plush Grey  
2 BR228046 Rygg ErgoMedic PLUS 35x20 Plysch Grå Slowrec.  
256462 Back ErgoMedic PLUS 35x20 Plush Grey Slowrec.

B01 803270 Skruvsats f montering av rygg och ryggfällning  
Screw kit for backrest assembly

# Stycklista – Ryggplatta

## Part list – Backrest

C Ryggar ErgoMedic PLUS  
Backrest ErgoMedic PLUS



Pos	Art.nr	Benämning
Pos	Art.no	Name

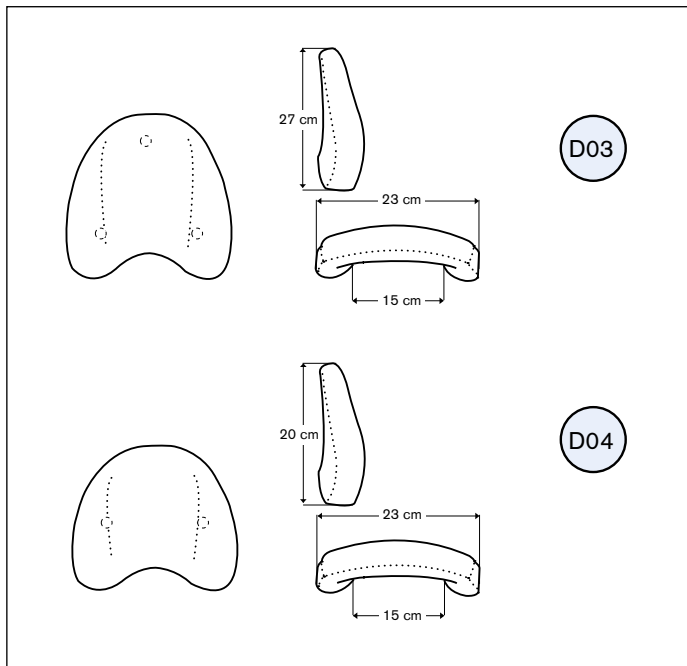
C01	1	<b>BR203546</b> Rygg ErgoMedic PLUS 30x34 Plysch Grå 251465 Backrest ErgoMedic PLUS 30x34 Plush Grey
	2	<b>BR223546</b> Rygg ErgoMedic 30x34 Plysch Grå Slowrec. 256465 Back ErgoMedic 30x34 Plush Grey Slowrec.

C02	1	<b>BR204046</b> Rygg ErgoMedic PLUS 25x34 Plysch Grå 251464 Backrest ErgoMedic PLUS 25x34 Plush Grey
	2	<b>BR224046</b> Rygg ErgoMedic 25x34 Plysch Grå Slowrec. 256464 Back ErgoMedic 25x34 Plush Grey Slowrec.

# Stycklista - Ryggplatta

## Part list - Backrest

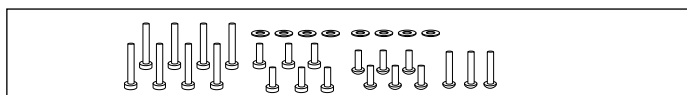
D Ryggar ErgoMedic  
Backrest ErgoMedic



D03	<b>BR105046</b> Rygg ErgoMedic 23x27 Plysch Grå 213461 Backrest ErgoMedic 23x27 Plush Grey
-----	---

D04	<b>BR108546</b> Rygg ErgoMedic 23x20 Plysch Grå 213460 Backrest ErgoMedic 23x20 Plush Grey
-----	---

E01 Skruvsats för montering av rygg och ryggfällning  
Screw kit for backrest assembly

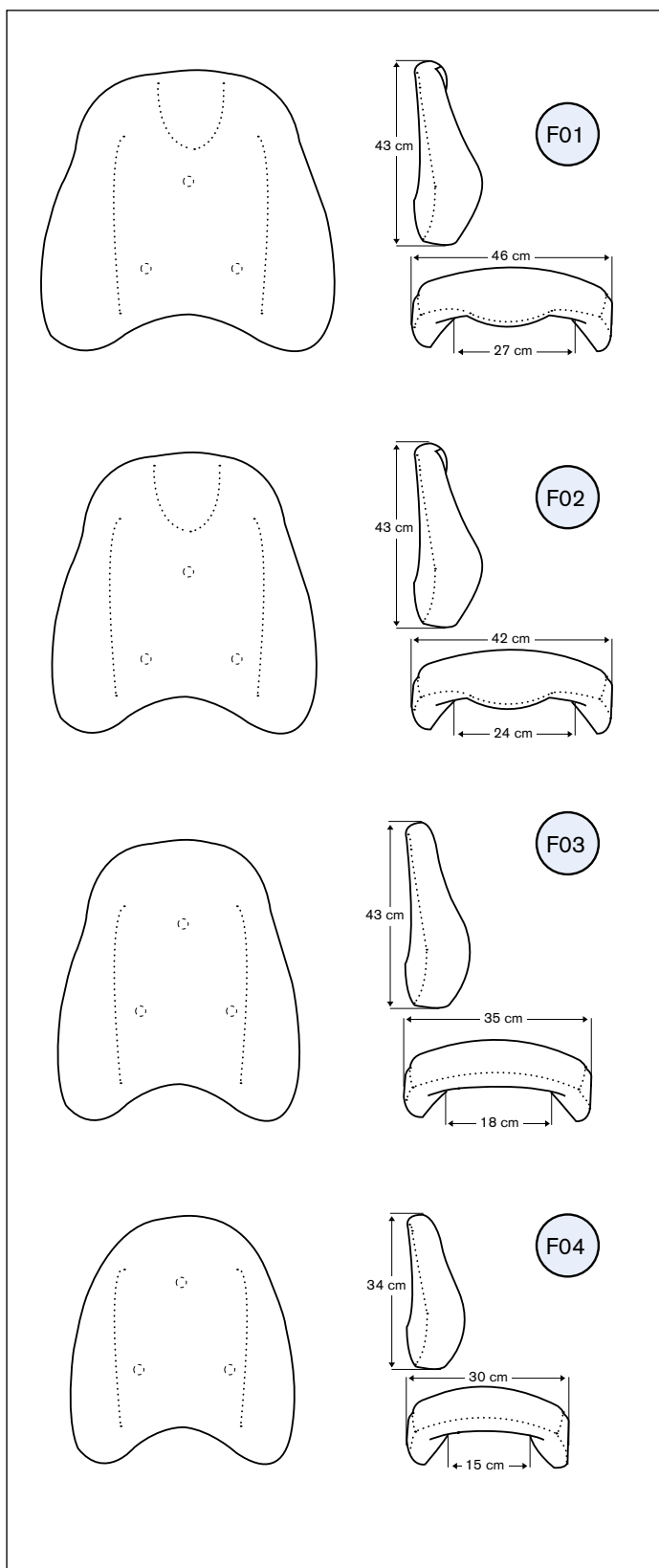


E01	<b>803270</b> Skruvsats f montering av rygg och ryggfällning Screw kit for backrest assembly
-----	---

# Stycklista – Ryggplatta

## Part list – Backrest

F Ryggar ErgoMedic PLUS med sidokil  
Backrest ErgoMedic PLUS with wedge



Pos Art.nr Benämning  
Pos Art.no Name

F01 1 **BR251046** Rygg EM PLUS m Sidokil 46x43 Plysch Grå  
252469 Backrest EM PLUS w sidewedge 46x43 Plush Grey  
2 **BR351046** Rygg EM PLUS med förstärkt Sidokil 46x43 cm Plysch Grå  
257469 Backrest EM PLUS w reinforced sidewedge 46x43 Plush Grey

F02 1 **BR251546** Rygg EM PLUS m Sidokil 42x43 Plysch Grå  
252468 Backrest EM PLUS w sidewedge 42x43 Plush Grey  
2 **BR351546** Rygg EM PLUS med förstärkt Sidokil 42x43 cm Plysch Grå  
257468 Backrest EM PLUS w reinforced sidewedge 42x43 Plush Grey

F03 1 **BR252046** Rygg EM PLUS m Sidokil 35x43 Plysch Grå  
252463 Backrest EM PLUS w sidewedge 35x43 Plush Grey  
2 **BR352046** Rygg EM PLUS med förstärkt Sidokil 35x43 cm Plysch Grå  
257463 Backrest EM PLUS w reinforced sidewedge 35x43 Plush Grey

F04 **BR253546** Rygg EM PLUS m Sidokil 30x34 Plysch Grå  
252465 Backrest EM PLUS w sidewedge 30x34 Plush Grey

G01 Skruvsats för montering av rygg och ryggfällning  
Screw kit for backrest assembly

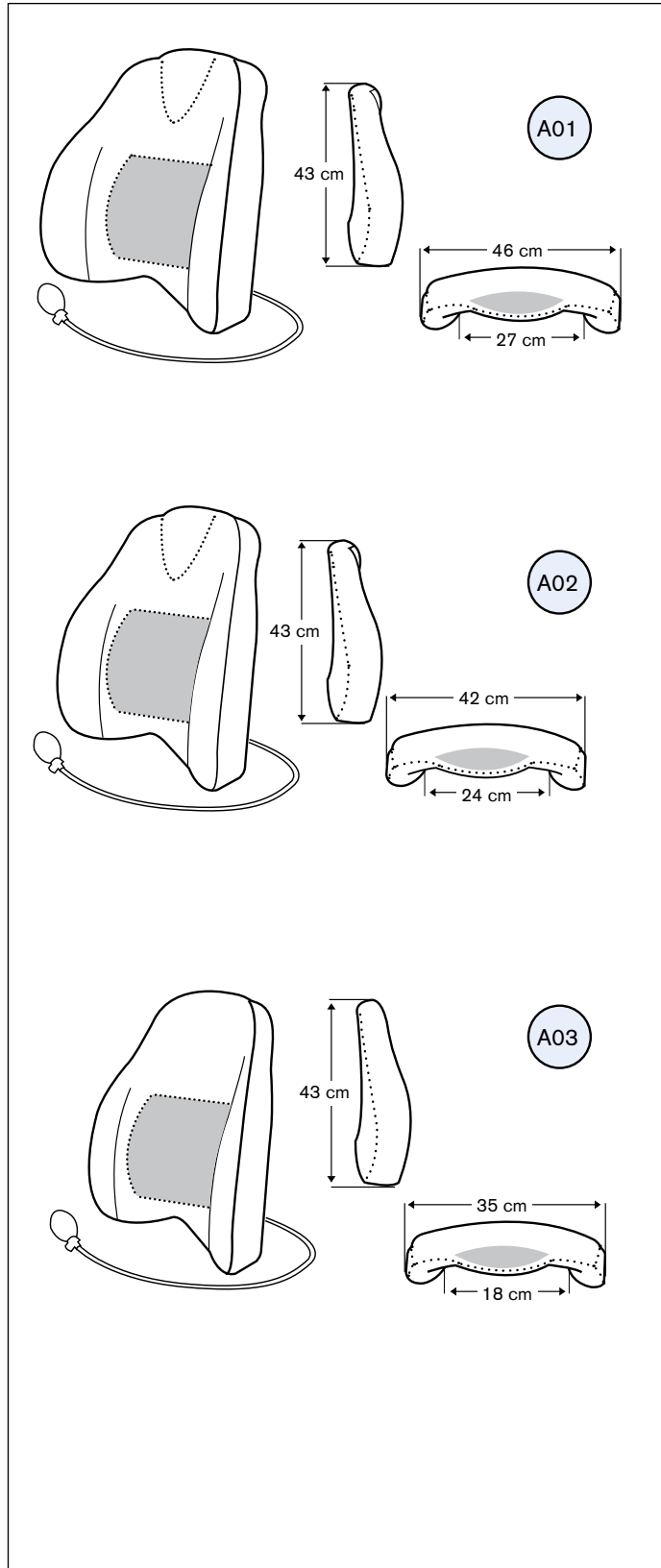


G01 **803270** Skruvsats f montering av rygg och ryggfällning  
Screw kit for backrest assembly

# Stycklista – Ryggplatta

## Part list – Backrest

A Ryggar ErgoMedic PLUS Comfort  
Backrest ErgoMedic PLUS comfort



Pos Art.nr Benämning  
Pos Art.no Name

A01 BR211046 Rygg ErgoMedic PLUS 46x43 Comfort Plysch Grå  
254469 Backrest ErgoMedic PLUS 46x43 Comfort Grey Plush

A02 BR211546 Rygg ErgoMedic PLUS 42x43 Comfort Plysch Grå  
254468 Backrest ErgoMedic PLUS 42x43 Comfort Grey Plush

A03 BR212046 Rygg ErgoMedic PLUS 35x43 Comfort Plysch Grå  
254463 Backrest ErgoMedic PLUS 35x43 Comfort Grey Plush

B01 Skruvsats för montering av rygg och ryggfällning  
Screw kit for backrest assembly

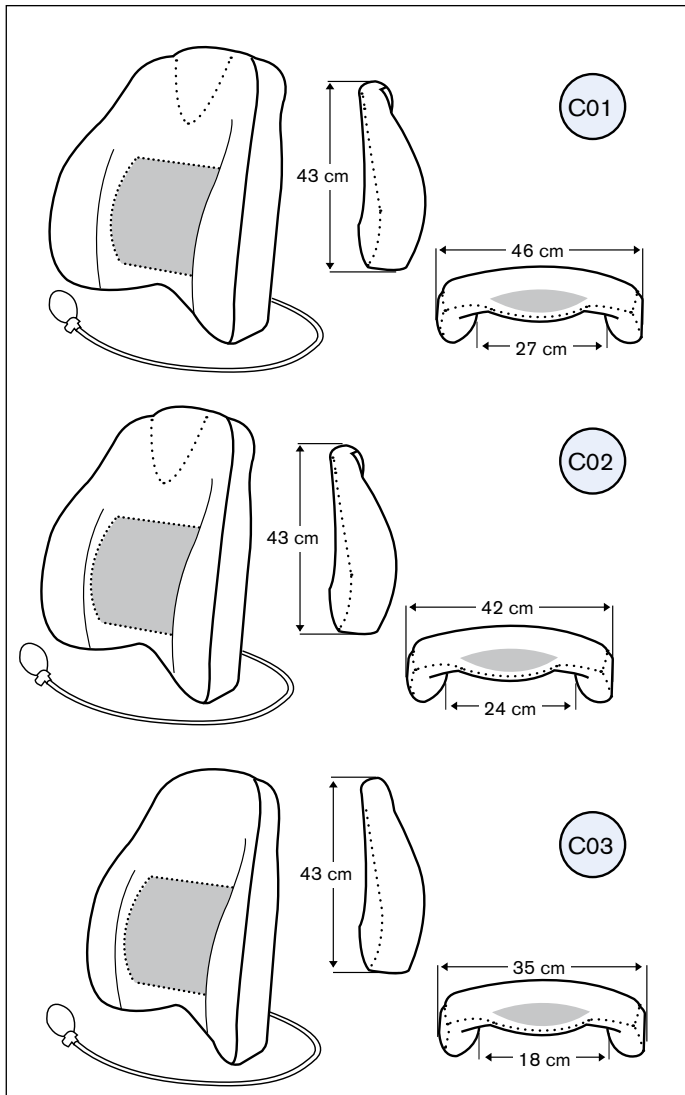


B01 803270 Skruvsats f montering av rygg och ryggfällning  
Screw kit for backrest assembly

# Stycklista – Ryggplatta

## Part list – Backrest

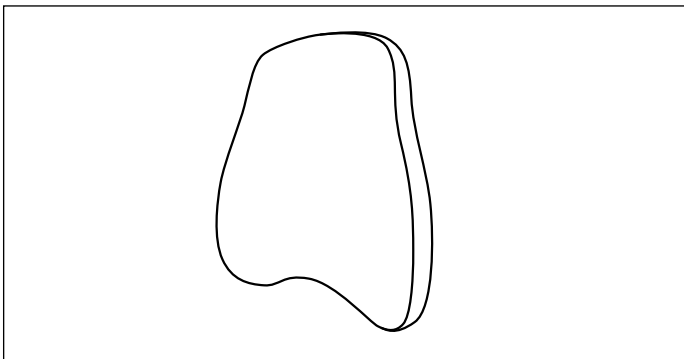
C Ryggar ErgoMedic PLUS Comfort med sidokil  
Backrest ErgoMedic PLUS Comfort with wedge



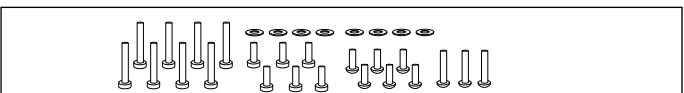
# Stycklista - Ryggplatta

## Part list - Backrest

A01 Ryggar ErgoMedic Extra  
Backrest ErgoMedic Extra



D01 Skruvsats för montering av rygg och ryggfällning  
Screw kit for backrest assembly



Pos Art.nr Benämning  
Pos Art.no Name

C01	1	BR261046 255469	Rygg EM PLUS m Sidokil 46x43 Comfort Plysch Grå Backrest EM PLUS w Sidewedge 46x43 Comfort Grey Plush
	2	BR361046 258469	Rygg EM PLUS med förstärkt Sidokil 46x43 cm Comfort Plysch Grå Backrest EM PLUS w reinforced wedge Comfort 46x43

C02	1	BR261546 255468	Rygg EM PLUS m Sidokil 42x43 Comfort Plysch Grå Backrest EM PLUS w Sidewedge 42x43 Comfort Grey Plush
	2	BR361546 258468	Rygg EM PLUS med förstärkt Sidokil 42x43 cm Comfort Plysch Grå Backrest EM PLUS w reinforced wedge Comfort 42x43

C03	1	BR262046 255463	Rygg EM PLUS m Sidokil 35x43 Comfort Plysch Grå Backrest EM PLUS w Sidewedge 35x43 Comfort Grey Plush
	2	BR362046 258463	Rygg EM PLUS med förstärkt Sidokil 35x43 cm Plysch Grå Backrest EM PLUS w reinforced wedge Comfort 35x43

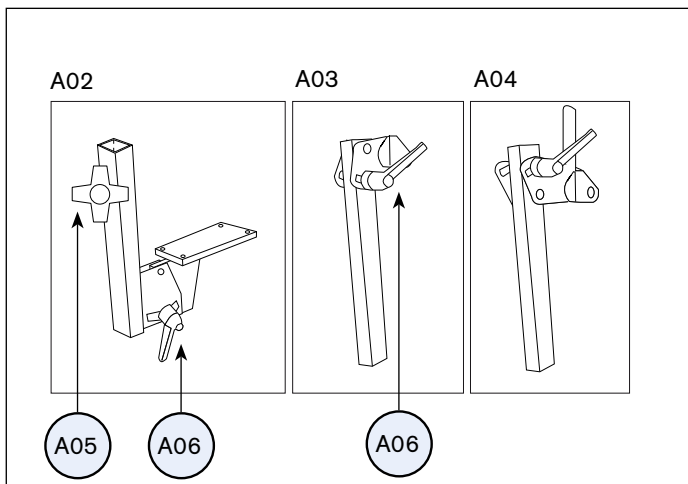
A01	BR101646	Rygg ErgoMedic Extra 42x43 Plysch Grå Backrest ErgoMedic Extra Plush Grey
-----	----------	--

D01	803270	Skruvsats f montering av rygg och ryggfällning Screw kit for backrest assembly
-----	--------	---

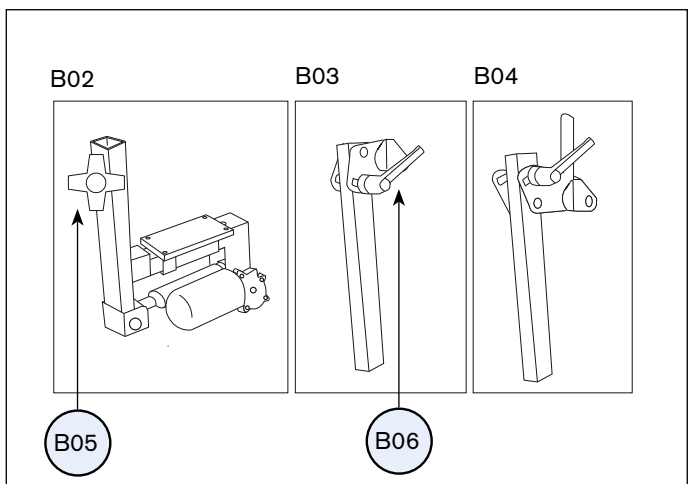
# Stycklista – Ryggmekanism Standard, EL & Comfort

## Part list – Backrest mechanism

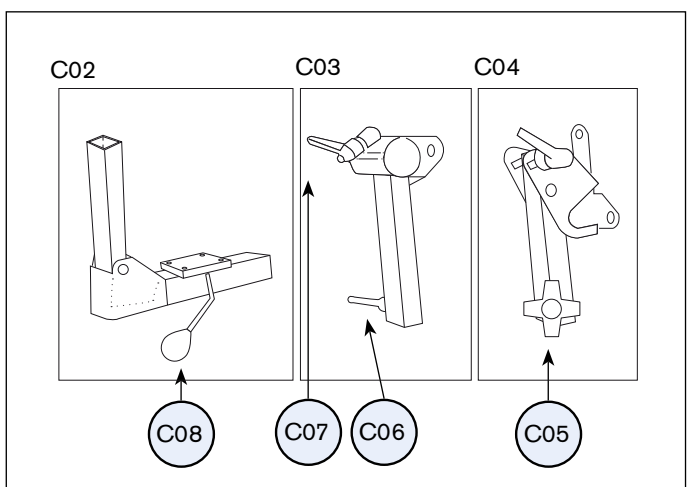
### A01 Standard ErgoMedic Standard ErgoMedic



### B01 EL Electric



### C01 Comfort Comfort



### D01 Skruvsats för montering av rygg och ryggfällning Screw kit for backrest assembly



Pos	Art.nr	Benämning
Pos	Art.no	Name
A01	1	<b>BRM1000</b> Ryggmekanism Standard ErgoMedic Låg rygg 801748 Backrest adjustment Standard ErgoMedic Low back
	2	<b>BRM4000</b> Ryggmekanism Standard ErgoMedic Hög rygg 801747 Backrest adjustment Standard ErgoMedic High back
A02	<b>800842</b>	Ryggfällning Std. Cla/ErgoM Backrest mechanism Std.Cla/ErgoM
A03	<b>801265</b>	Ryggstolpe Standard. ErgoMedic Låg rygg Back pole Std Cla/ ErgoMedic Low back
A04	<b>800841</b>	Ryggstolpe Standard ErgoMedic Hög rygg Back pole Standard ErgoMedic High back
A05	<b>803004</b>	Stjärnratt Plus M8x20 (braga gummerad) Gummed knob M8x20 PLUS
A06	<b>803006</b>	Låsspak Plus M8 (inv gänga) (braga gummerad) Gummed handle M8 PLUS

B01	1	
	2	
B02	<b>600266</b>	Eldonssats f ryggvinkel f reläkort Real 9000 Electric kit f. backrest angle
B03	<b>801265</b>	Ryggstolpe Std. ErgoM Låg rygg Back pole Std Cla/ Ergo Medic Low back
B04	<b>800841</b>	Ryggstolpe Std. ErgoM Hög rygg Back pole Std. Ergo Medic High back
B05	<b>803004</b>	Stjärnratt Plus M8x20 (braga gummerad) Gummed knob M8x20 PLUS
B06	<b>803006</b>	Låsspak Plus M8 (inv gänga) (braga gummerad) Gummed handle M8 PLUS

Se sid 36 för reglage

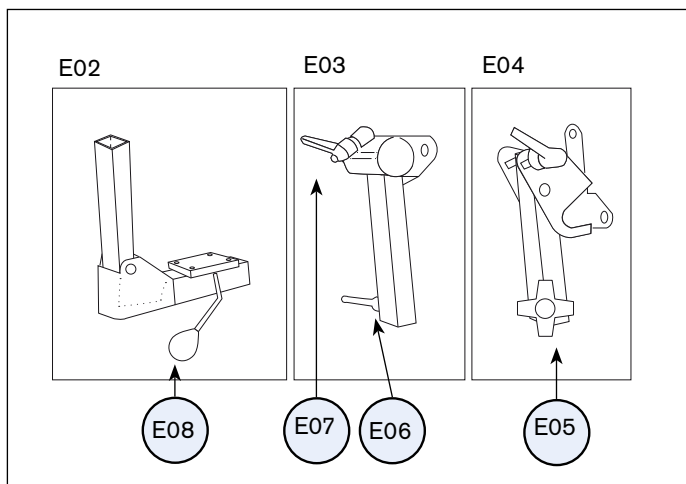
C01	1	<b>BRM2514</b> Ryggmekanism Comfort ErgoM Grund Låg rygg Back adjustment Comfort ErgoM Shallow Low back
	2	<b>BRM6514</b> Ryggmekanism Comfort ErgoM Grund Hög rygg Back adjustment Comfort ErgoM Shallow High back
C02	<b>801770</b>	Ryggfällning Comfort ErgoM 350 N Grunt sittdjup Backrest mech Comfort ErgoM 350 N Shallow seatdepth
C03	<b>801088</b>	Ryggstolpe Medic/Comfort ErgoM Låg rygg Back pole Medic/Comfort ErgoM Low back
C04	<b>801737</b>	Ryggstolpe Medic/Comfort ErgoM Hög rygg Back pole Medic/Comfort ErgoM High back
C05	<b>803004</b>	Stjärnratt Plus M8x20 (braga gummerad) Plastic knob Plus M8x20
C06	<b>803012</b>	Låsspak Plus M6x10 (braga gummerad) Gummed handle M6x10 PLUS
C07	<b>803013</b>	Låsspak Plus M6x20 (braga gummerad) Gummed handle M6x20 PLUS
C08	<b>803011</b>	Spak till Comfortryggmekanism Plus Lever for backrest mechanism Comfort PLUS

D01	<b>803270</b>	Skruvsats för montering av rygg och ryggfällning Screw kit for backrest assembly
-----	---------------	---

# Stycklista – Ryggmekanism Comfort Coxit

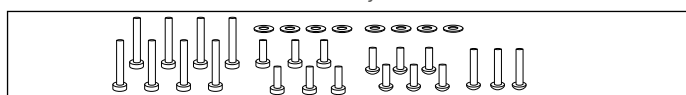
## Part list – Backrest mechanism

E01 Comfort Coxit  
Comfort Coxit



Pos	Art.nr	Benämning
Pos	Art.no	Name
E01	1	<b>BRM2614</b> Ryggmekanism Comfort ErgoMedic Djup Låg rygg <i>Backrest adjustment Comfort ErgoMedic Depht Low back</i>
	2	<b>BRM6614</b> Ryggmekanism Comfort ErgoMedic Djup Hög rygg <i>Backrest adjustment Comfort ErgoMedic Depht High back</i>
E02	<b>801771</b>	Ryggfällning Comfort ErgoMedic Djup 350 N Djupt sittdjup <i>Backrest mech Comfort ErgoMedic 350 N Deep seatdepth</i>
E03	<b>801088</b>	Ryggstolpe Medic/Comfort ErgoMedic Låg rygg <i>Back pole Medic/Comfort ErgoMedic Low back</i>
E04	<b>801737</b>	Ryggstolpe Medic/Comfort ErgoMedic Hög rygg <i>Back pole Medic/Comfort ErgoMedic High back</i>
E05	<b>803004</b>	Stjärnratt Plus M8x20 (braga gummerad) <i>Plastic knob Plus M8x20</i>
E06	<b>803012</b>	Låsspak Plus M6x10 (braga gummerad) <i>Gummed handle M6x10 PLUS</i>
E07	<b>803013</b>	Låsspak Plus M6x20 (braga gummerad) <i>Gummed handle M6x20 PLUS</i>
E08	<b>803011</b>	Spak till Comfortryggmekanism Plus <i>Lever for backrest mechanism Comfort PLUS</i>

F01 Skruvsats för montering av rygg och ryggfällning  
*Screw kit for backrest assembly*



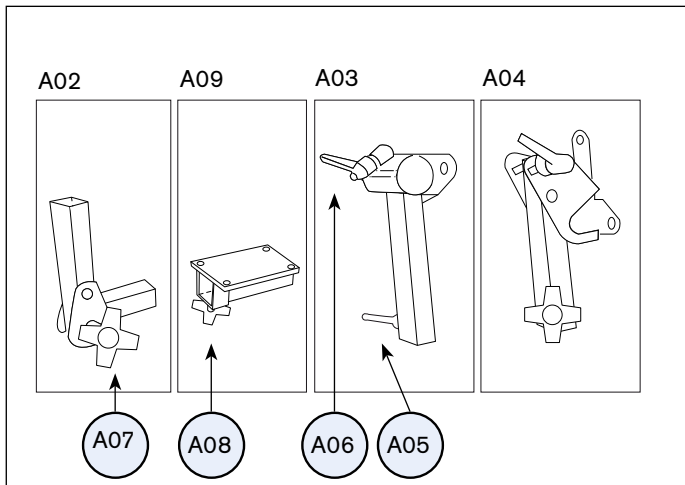
F01 **803270** Skruvsats f montering av rygg och ryggfällning  
*Screw kit for backrest assembly*



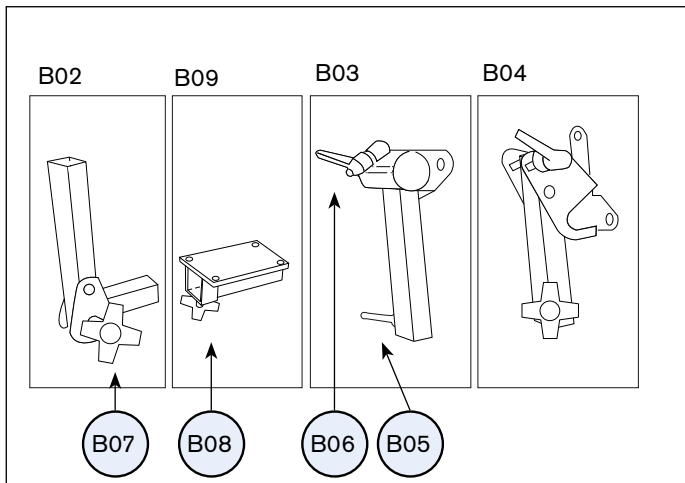
# Stycklista – Ryggmekanism Medic 112 Rygg

## Part list – Backrest mechanism

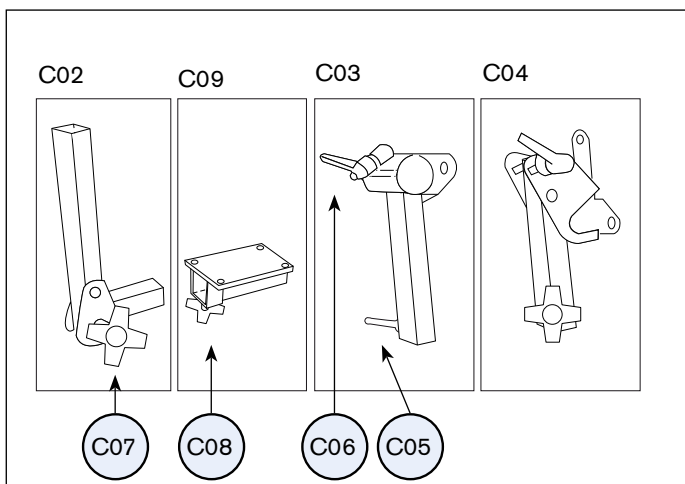
A01 200 x 112 mm (hxd)



B01 240 x 112 mm (hxd)



C01 340 x 112 mm (hxd)



D01 Skruvsats för montering av rygg och ryggfällning  
Screw kit for backrest assembly

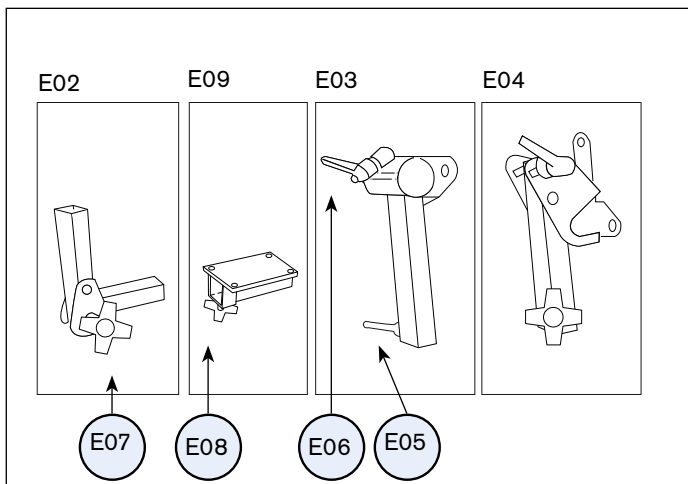


Pos	Art.nr	Benämning
Pos	Art.no	Name
A01	1	<b>BRM1800</b> Ryggmekanism Medic ErgoMedic S 112 Låg rygg 801930 Backrest adjustment Medic ErgoMedic S Low back 112 mm
	2	<b>BRM4800</b> Ryggmekanism Medic ErgoMedic S 112 Hög rygg 801932 Backrest adjustment Medic ErgoMedic S High back 112 mm
A02	<b>801923</b>	Ryggfällning Medic 112mm S Cla/ErgoM 200mm Backrest mechanism Medic 112 mm S Cla/ErgoM 200 mm
A03	<b>801928</b>	Ryggstolpe Medic ErgoM S Låg rygg Back pole ErgoM S
A04	<b>801737</b>	Ryggstolpe Medic/Comfort ErgoMedic Hög rygg Back pole Medic/Comfort ErgoMedic High back
A05	<b>803012</b>	Låsspak PLUS M6x10 (braga gummerad) Gummed handle M6x10 PLUS
A06	<b>803013</b>	Låsspak PLUS M6x20 (braga gummerad) Gummed handle M6x20 PLUS
A07	<b>803007</b>	Stjärnratt PLUS M8x1 special (braga gummerad) Gummed knob M8x1
A08	<b>803004</b>	Stjärnratt PLUS M8x20 (braga gummerad) Gummed knob M8x20 PLUS
A09	<b>800837</b>	Ryggfällning fäste Medic Cla/ErgoM Backrestmechanism Medic hold
B01	1	<b>BRM1900</b> Ryggmekanism Medic ErgoMedic L 112 Låg rygg 801739 Backrest adjustment Medic ErgoMedic L Low back 112 mm
	2	<b>BRM4900</b> Ryggmekanism Medic ErgoMedic L 112 Hög rygg 801741 Backrest adjustment Medic ErgoMedic L High back 112 mm
B02	<b>801083</b>	Ryggfällning Medic 112mm L Cla/ErgoM 240mm Backrest mechanism Medic 112 mm L Cla/ErgoM 340 mm
B03	<b>801088</b>	Ryggstolpe Medic/Comfort ErgoMedic Låg rygg Back pole Medic/Comfort ErgoMedic Low back
B04	<b>801737</b>	Ryggstolpe Medic/Comfort ErgoMedic Hög rygg Back pole Medic/Comfort ErgoMedic High back
B05	<b>803012</b>	Låsspak PLUS M6x10 (braga gummerad) Gummed handle M6x10 PLUS
B06	<b>803013</b>	Låsspak PLUS M6x20 (braga gummerad) Gummed handle M6x20 PLUS
B07	<b>803007</b>	Stjärnratt PLUS M8x1 special (braga gummerad) Gummed knob M8x1
B08	<b>803004</b>	Stjärnratt PLUS M8x20 (braga gummerad) Gummed knob M8x20 PLUS
B09	<b>800837</b>	Ryggfällning fäste Medic Cla/ErgoM Backrestmechanism Medic hold
C01	1	<b>BRM2000</b> Ryggmekanism Medic ErgoMedic XL 112 Låg rygg 801934 Backrest adjustment Medic ErgoMedic XL Low back 112 mm
	2	<b>BRM5000</b> Ryggmekanism Medic ErgoMedic XL 112 Hög rygg 801936 Backrest adjustment Medic ErgoMedic XL High back 112 mm
C02	<b>801085</b>	Ryggfällning Medic 112mm XL Cla/ErgoM 340mm Backrest mechanism Medic 112 mm XL Cla/ErgoM 340 mm
C03	<b>801088</b>	Ryggstolpe Medic/Comfort ErgoMedic Låg rygg Back pole Medic/Comfort ErgoMedic Low back
C04	<b>801737</b>	Ryggstolpe Medic/Comfort ErgoMedic Hög rygg Back pole Medic/Comfort ErgoMedic High back
C05	<b>803012</b>	Låsspak PLUS M6x10 (braga gummerad) Gummed handle M6x10 PLUS
C06	<b>803013</b>	Låsspak PLUS M6x20 (braga gummerad) Gummed handle M6x20 PLUS
C07	<b>803007</b>	Stjärnratt PLUS M8x1 special (braga gummerad) Gummed knob M8x1
C08	<b>803004</b>	Stjärnratt PLUS M8x20 (braga gummerad) Gummed knob M8x20 PLUS
C09	<b>800837</b>	Ryggfällning fäste Medic Cla/ErgoM Backrestmechanism Medic hold
D01	<b>803270</b>	Skruvsats f montering av rygg och ryggfällning Screw kit for backrest assembly

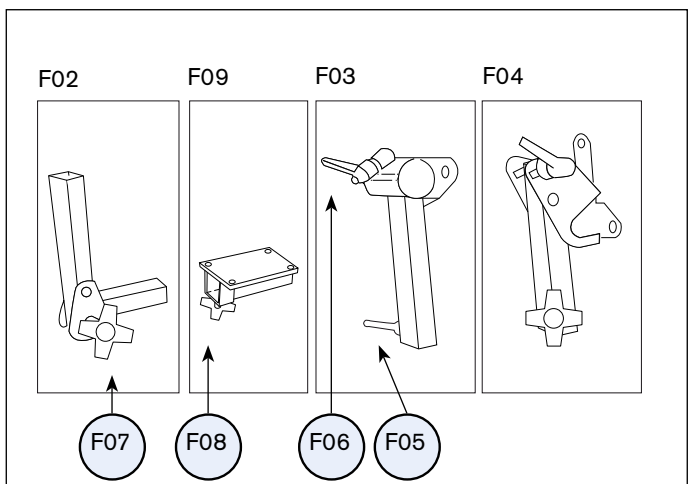
# Stycklista – Ryggmekanism Medic 155 Rygg

## Part list – Backrest mechanism

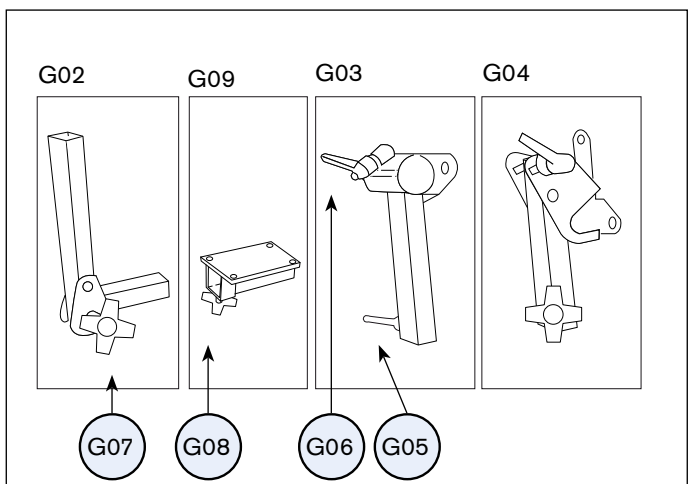
E01 200 x 155 mm (hxd)



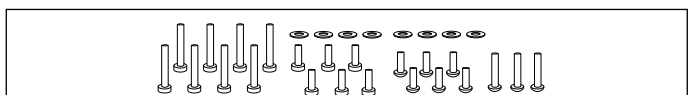
F01 240 x 155 mm (hxd)



G01 340 x 155 mm (hxd)



H01 Skruvsats för montering av rygg och ryggfällning  
Screw kit for backrest assembly

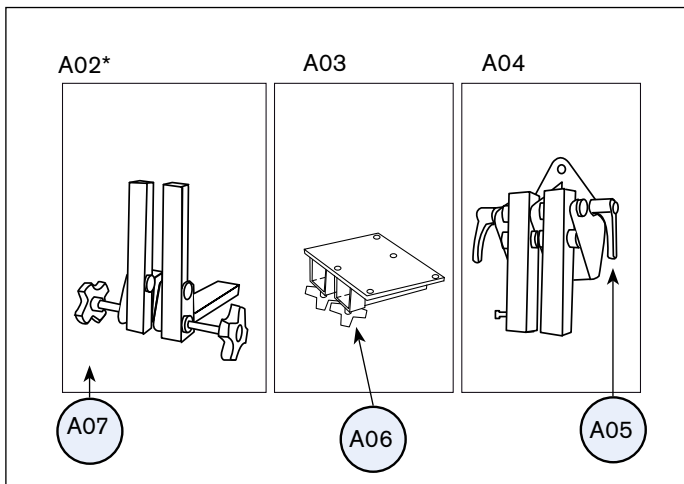


Pos	Art.nr	Benämning
Pos	Art.no	Name
E01	1	<b>BRM1500</b> Ryggmekanism Medic ErgoMedic S 155 Låg rygg 801929 Backrest adjustment Medic ErgoM S Low back 155 mm
	2	<b>BRM4500</b> Ryggmekanism Medic ErgoMedic S 155 Hög rygg 801931 Backrest adjustment Medic ErgoM S High back 155 mm
E02	<b>801922</b>	Ryggfällning Medic 155mm S Cla/ErgoM 200mm Backrest mechanism Medic 155 mm S Cla/ErgoM 200 mm
E03	<b>801928</b>	Ryggstolpe Medic ErgoM S Låg rygg Back pole ErgoM S
E04	<b>801737</b>	Ryggstolpe Medic/Comfort ErgoMedic Hög rygg Back pole Medic/Comfort ErgoM High back
E05	<b>803012</b>	Låsspak PLUS M6x10 (braga gummerad) Gummed handle M6x10 PLUS
E06	<b>803013</b>	Låsspak PLUS M6x20 (braga gummerad) Gummed handle M6x20 PLUS
E07	<b>803007</b>	Stjärnratt PLUS M8x1 special (braga gummerad) Gummed knob M8x1
E08	<b>803004</b>	Stjärnratt PLUS M8x20 (braga gummerad) Gummed knob M8x20 PLUS
E09	<b>800837</b>	Ryggfällning fäste Medic Cla/ErgoM Backrestmechanism Medic hold
F01	1	<b>BRM1600</b> Ryggmekanism Medic ErgoMedic L 155 Låg rygg 801738 Backrest adjustment Medic ErgoMedic L Low back 155 mm
	2	<b>BRM4600</b> Ryggmekanism Medic ErgoMedic L 155 Hög rygg 801740 Backrest adjustment Medic ErgoMedic L High back 155 mm
F02	<b>801082</b>	Ryggfällning Medic 155mm L Cla/ErgoM 240mm Backrest mechanism Medic 155 mm L Cla/ErgoM 240 mm
F03	<b>801088</b>	Ryggstolpe Medic/Comfort ErgoMedic Låg rygg Back pole Medic/Comfort ErgoMedic L Low back
F04	<b>801737</b>	Ryggstolpe Medic/Comfort ErgoMedic Hög rygg Back pole Medic/Comfort ErgoM High back
F05	<b>803012</b>	Låsspak PLUS M6x10 (braga gummerad) Gummed handle M6x10 PLUS
F06	<b>803013</b>	Låsspak PLUS M6x20 (braga gummerad) Gummed handle M6x20 PLUS
F07	<b>803007</b>	Stjärnratt PLUS M8x1 special (braga gummerad) Gummed knob M8x1
F08	<b>803004</b>	Stjärnratt PLUS M8x20 (braga gummerad) Gummed knob M8x20 PLUS
F09	<b>800837</b>	Ryggfällning fäste Medic Cla/ErgoM Backrestmechanism Medic hold
G01	1	<b>BRM1700</b> Ryggmekanism Medic ErgoM XL 155 Låg rygg 801933 Backrest adjustment Medic ErgoM XL Low back 155 mm
	2	<b>BRM4700</b> Ryggmekanism Medic ErgoM XL 155 Hög rygg 801935 Backrest adjustment Medic ErgoM XL High back 155 mm
G02	<b>801084</b>	Ryggfällning Medic 155mm XL Cla/ErgoM 340mm Backrest mechanism Medic 155 mm XL Cla/ErgoM 340 mm
G03	<b>801088</b>	Ryggstolpe Medic/Comfort ErgoM Låg rygg Back pole Medic/Comfort ErgoML Low back
G04	<b>801737</b>	Ryggstolpe Medic/Comfort ErgoM Hög rygg Back pole Medic/Comfort ErgoM High back
G05	<b>803012</b>	Låsspak PLUS M6x10 (braga gummerad) Gummed handle M6x10 PLUS
G06	<b>803013</b>	Låsspak PLUS M6x20 (braga gummerad) Gummed handle M6x20 PLUS
G07	<b>803007</b>	Stjärnratt PLUS M8x1 special (braga gummerad) Gummed knob M8x1
G08	<b>803004</b>	Stjärnratt PLUS M8x20 (braga gummerad) Gummed knob M8x20 PLUS
G09	<b>800837</b>	Ryggfällning fäste Medic Cla/ErgoM Backrestmechanism Medic hold
H01	<b>803270</b>	Skruvsats f montering av rygg och ryggfällning Screw kit for backrest assembly

# Stycklista – Ryggmekanism Dubbel Medic

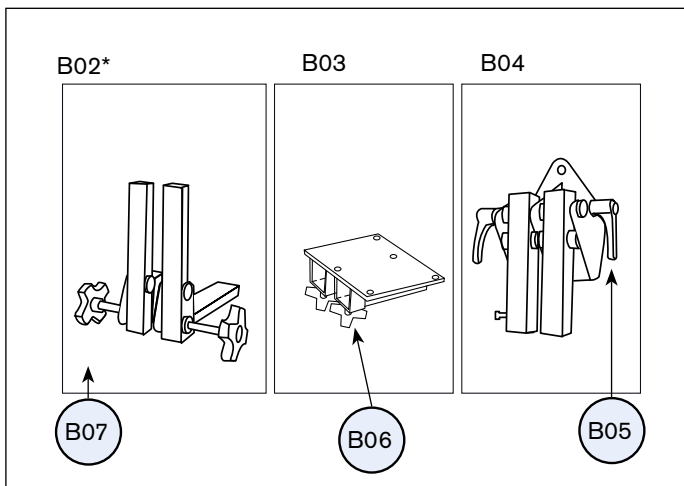
## Part list – Backrest mechanism Double Medic

A01 240 x 155 mm (hxd)



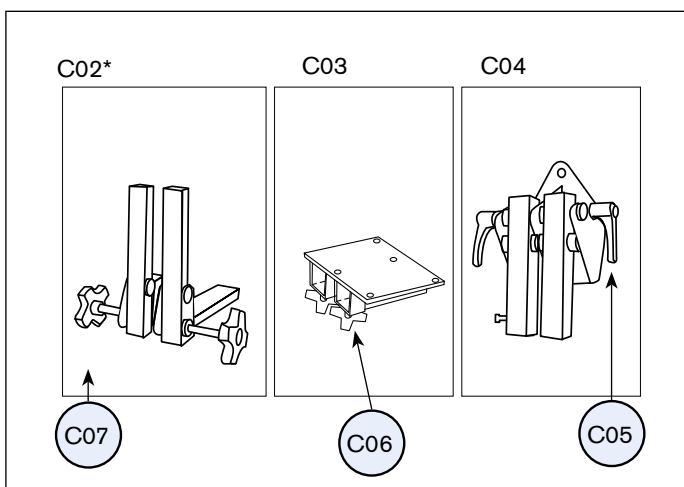
\* 2 st 801084 behövs för dubbel medic ryggmekanism

B01 340 x 155 mm (hxd)



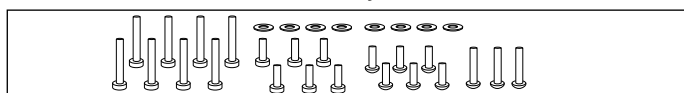
\* 2 st 801084 behövs för dubbel medic ryggmekanism

C01 340 x 300 mm (hxd)



\* 2 st 801084 behövs för dubbel medic ryggmekanism

D01 Skruvsats för montering av rygg och ryggfällning  
Screw kit for backrest assembly



Pos Art.nr Benämning  
Pos Art.no Name

A01	<a href="#">BRM5600</a>	Ryggmekanism Dubbel Medic L DJ 155 Hj 240 Hög rygg 803585 Backrest adjustment Double Medic 240 mm high back
A02	<a href="#">801082</a>	Ryggfällning Medic 155mm L Cla/ErgoM (Övrerör 240mm) Backrest mechanism Medic 155 mm L
A03	<a href="#">802859</a>	Ryggfällning fäste Medic Dubbel ryggfällning Backrest mechanism Double Medic hold
A04	<a href="#">802860</a>	Ryggstolpe Medic Dubbel ryggfälln plats f nackstöd Back pole Double Medic
A05	<a href="#">803006</a>	Låsspak PLUS M8 (braga gummerad) Gummed handle M8 PLUS
A06	<a href="#">803004</a>	Stjärnratt PLUS M8x20 (braga gummerad) Gummed knob M8x20 PLUS
A07	<a href="#">803007</a>	Stjärnratt PLUS M8x1 special (braga gummerad) Gummed knob M8x1

B01	<a href="#">BRM5700</a>	Ryggmekanism Dubbel Medic XL DJ 155 Hj 340 Hög rygg 803586 Backrest adjustment Double Medic 340 mm high back
B02	<a href="#">801084</a>	Ryggfällning Medic 155mm XL Cla/ErgoM (Övrerör 340mm) Backrest mechanism Medic 155 mm XL
B03	<a href="#">802859</a>	Ryggfällning fäste Medic Dubbel ryggfällning Backrest mechanism Double Medic hold
B04	<a href="#">802860</a>	Ryggstolpe Medic Dubbel ryggfälln plats f nackstöd Back pole Double Medic
B05	<a href="#">803006</a>	Låsspak PLUS M8 (braga gummerad) Gummed handle M8 PLUS
B06	<a href="#">803004</a>	Stjärnratt PLUS M8x20 (braga gummerad) Gummed knob M8x20 PLUS
B07	<a href="#">803007</a>	Stjärnratt PLUS M8x1 special (braga gummerad) Gummed knob M8x1

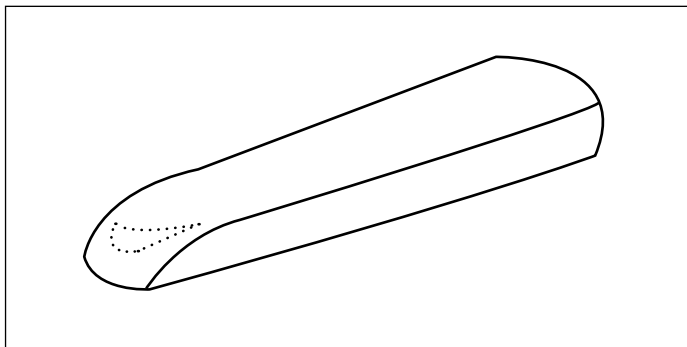
C01	<a href="#">803868</a>	Ryggmekanism Dubbel Medic XL DJ 300 Hj 340 Hög rygg Backrest adj. Double Medic d 300mm h 340mm high back
C02	<a href="#">803867</a>	Ryggfällning Medic 300mm XL Cla/ErgoM (Övrerör 340mm) Backrest mechanism Medic 300 mm XL
C03	<a href="#">802859</a>	Ryggfällning fäste Medic Dubbel ryggfällning Backrest mechanism Double Medic hold
C04	<a href="#">802860</a>	Ryggstolpe Medic Dubbel ryggfälln plats f nackstöd Back pole Double Medic
C05	<a href="#">803006</a>	Låsspak PLUS M8 (braga gummerad) Gummed handle M8 PLUS
C06	<a href="#">803004</a>	Stjärnratt PLUS M8x20 (braga gummerad) Gummed knob M8x20 PLUS
C07	<a href="#">803007</a>	Stjärnratt PLUS M8x1 special (braga gummerad) Gummed knob M8x1

D01	<a href="#">803270</a>	Skruvsats f montering av rygg och ryggfällning Screw kit for backrest assembly
-----	------------------------	---

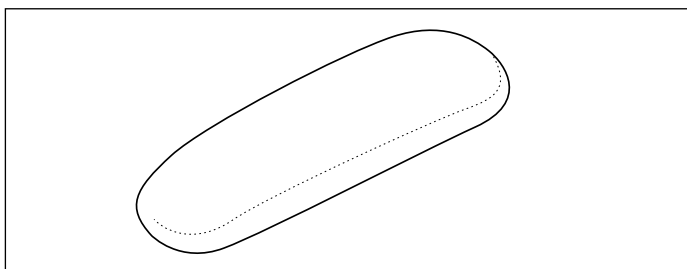
# Stycklista – Armstöd

## Part list – Armrests

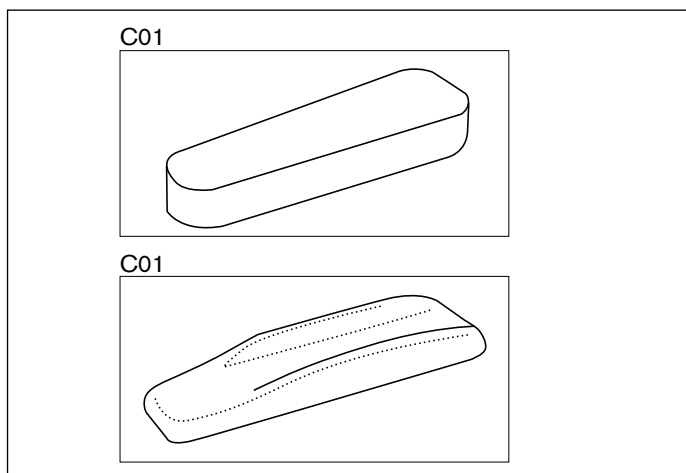
A01 ErgoMedic för armstödsmechanism PLUS  
ErgoMedic for armrest mechanism PLUS



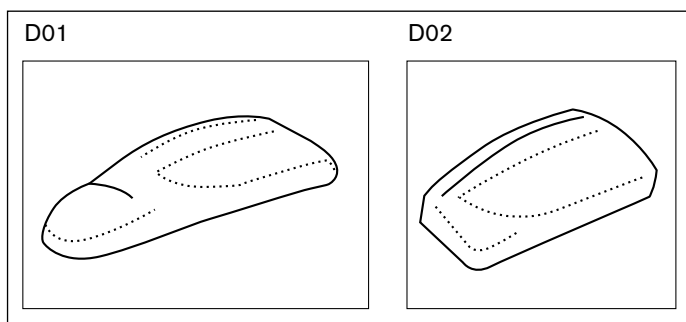
B01 Extra Soft för samtliga armstödsmekanismer  
Extra Soft for all armrest mechanisms



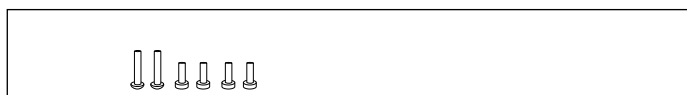
C Mobil för mekanism fällbar & Hemiplegi  
Mobil for foldable armrest mechanism & Hemiplegi



D ErgoMedic PLUS för mekanism PLUS & mekanism fällbar  
ErgoMedic PLUS for PLUS and foldable armrest mechanism



E01 Skruvsats för montering av armstöd  
Screw kit for armrest assembly

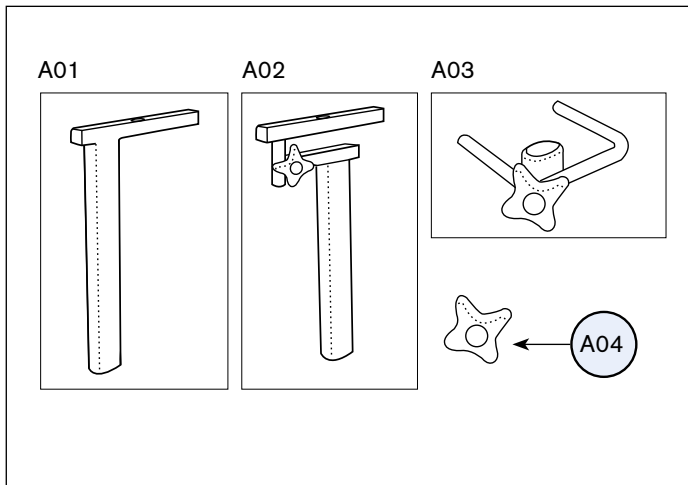


Pos	Art.nr	Benämning
Pos	Art.no	Name
A01 1	<a href="#">AR103038</a> 240380	Armstöd platta ErgoMedic 35 cm Konstläder Svart <i>Armrest Classic 35 cm Skai Black</i>
2	<a href="#">AR102038</a> 240381	Armstöd platta ErgoMedic 30 cm Konstläder Svart <i>Armrest Classic 30 cm Skai Black</i>
3	<a href="#">AR101038</a> 240382	Armstöd platta ErgoMedic 25 cm Konstläder Svart <i>Armrest Classic 25 cm Skai Black</i>
4	<a href="#">AR104038</a> 240383	Armstöd platta ErgoMedic 40 cm Konstläder Svart <i>Armrest Classic 40 cm Skai Black</i>
5	<a href="#">AR153038</a> 246380	Armstöd platta EM f mob. 35 cm Konstläder Svart <i>Armrest EM Mobile 35 cm Skai Black</i>
6	<a href="#">AR152038</a> 246381	Armstöd platta EM f mob. 30 cm Konstläder Svart <i>Armrest EM Mobile 30 cm Skai Black</i>
7	<a href="#">AR151038</a> 246382	Armstöd platta EM f mob. 25 cm Konstläder Svart <i>Armrest EM Mobile 25 cm Skai Black</i>
8	<a href="#">AR112038</a> 242381	Armstöd platta Mini 30 cm Konstläder Svart <i>Armrest Mini 30 cm Skai Black</i>
9	<a href="#">AR111038</a> 242382	Armstöd platta Mini 25 cm Konstläder Svart <i>Armrest Mini 25 cm Skai Black</i>
B01 1	<a href="#">AR513038</a>	Armstöd platta extra soft 35 cm Konstläder Svart <i>Armrest Extra soft 35 cm Skai Black</i>
2	<a href="#">AR512038</a>	Armstöd platta extra soft 30 cm Konstläder Svart <i>Armrest Extra soft 30 cm Skai Black</i>
3	<a href="#">AR511038</a>	Armstöd platta extra soft 25 cm Konstläder Svart <i>Armrest Extra soft 25 cm Skai Black</i>
C01 1	<a href="#">AR303038</a> 245380	Armstöd platta Mobil 35 cm Konstläder Svart <i>Armrest Mobile 35 cm Skai Black</i>
2	<a href="#">AR302038</a> 245381	Armstöd platta Mobil 30 cm Konstläder Svart <i>Armrest Mobile 30 cm Skai Black</i>
3	<a href="#">AR301038</a> 245382	Armstöd platta Mobil 25 cm Konstläder Svart <i>Armrest Mobile 25 cm Skai Black</i>
4	<a href="#">AR304038</a> 245383	Armstöd platta Mobil 40 cm Konstläder Svart <i>Armrest Mobile 40 cm Skai Black</i>
5	<a href="#">AR313038</a> 248380	Armstöd platta Mobil 35 cm Konstläder Svart 9000 Borråd <i>Armrest Mobile 35 cm Skai Black Drilled</i>
6	<a href="#">AR312038</a> 248381	Armstöd platta Mobil 30 cm Konstläder Svart 9000 Borråd <i>Armrest Mobile 30 cm Skai Black Drilled</i>
7	<a href="#">AR311038</a> 248382	Armstöd platta Mobil 25 cm Konstläder Svart 9000 Borråd <i>Armrest Mobile 25 cm Skai Black Drilled</i>
C02	<a href="#">AR406038</a> 244382	Armstöd platta Hemiplegi 45x12 cm Konstläder Svart <i>Armrest Hemiplegi 45x12 cm Skai Black</i>
D01 1	<a href="#">AR205138</a> 243380	Armstöd platta ErgoM PLUS Hö 42 cm Konstläder Svart <i>Armrest ErgoMedic PLUS Right 42 cm Skai Black</i>
2	<a href="#">AR205238</a> 243385	Armstöd platta ErgoM PLUS Vä 42 cm Konstläder Svart <i>Armrest ErgoMedic PLUS Left 42 cm Skai Black</i>
D02 1	<a href="#">AR202138</a> 243381	Armstöd platta ErgoM PLUS Hö 30 cm Konstläder Svart <i>Armrest ErgoMedic PLUS Right 30 cm Skai Black</i>
2	<a href="#">AR202238</a> 243386	Armstöd platta ErgoM PLUS Vä 30 cm Konstläder Svart <i>Armrest ErgoMedic PLUS Left 30 cm Skai Black</i>
D01	<a href="#">803271</a>	Skruvsats f montering armstöd <i>Screw kit for armrest assembly</i>

# Stycklista – Armstödsmechanismer

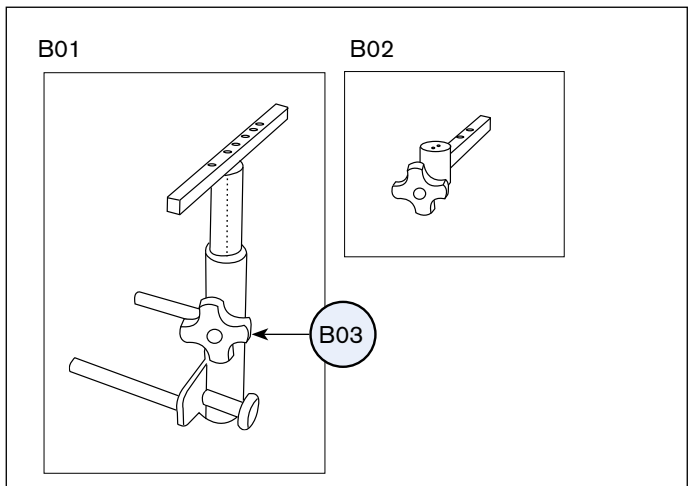
## Part list – Armrest mechanisms

### A Armstödsmekanism PLUS Armrest mechanism PLUS



Pos	Art.nr	Benämning
Pos	Art.no	Name
A01 1	600304	Armstöd PLUS Höger Höjd 32 <i>Armrest PLUS right, Height 32</i>
2	600305	Armstöd PLUS Vänster Höjd 32 <i>Armrest PLUS left, Height 32</i>
3	600306	Armstöd PLUS Höger Höjd 38 <i>Armrest PLUS right, Height 38</i>
4	600307	Armstöd PLUS Vänster Höjd 38 <i>Armrest PLUS left, Height 38</i>
5	802773	Armstöd Plus Mini Höger <i>Armrest PLUS Mini right</i>
6	802774	Armstöd Plus Mini Vänster <i>Armrest PLUS Mini left</i>
A02 1	802992	Armstöd Hemiplegi Höjd 32 PLUS armstöd Höger <i>Hemiplegic armrest Height 32 PLUS armrest right</i>
2	802993	Armstöd Hemiplegi Höjd 32 PLUS armstöd Vänster <i>Hemiplegic armrest Height 32 PLUS armrest left</i>
A03 1	802698	Armstöd Breddbåge PLUS Höger 9000/6100 <i>U-bar for width adjustment PLUS Right</i>
2	802699	Armstöd Breddbåge PLUS Vänster 9000/6100 <i>U-bar for width adjustment PLUS Left</i>
3	802771	Armstöd Breddbåge Plus Mini Höger <i>U-bar for width adjustment PLUS Mini Right</i>
4	802772	Armstöd Breddbåge Plus Mini Vänster <i>U-bar for width adjustment PLUS Mini Left</i>
A04	803004	Stjärnratt Plus M8x20 (Braga gummerad) <i>Gummed knob M8x20 PLUS</i>
B01 1	ARM3011	Armstöd mekanism 6100 kpl. Höger B >40 (Vuxen) 600126 <i>Armrest mecanism 6100 right Compl. &gt;40</i>
2	ARM3012	Armstöd mekanism 6100 kpl. Vänster B >40 (Vuxen) 600125 <i>Armrest mecanism 6100 left Compl. &gt;40</i>
3	ARM3111	Armstöd mekanism 6100 kpl. Vs Höger Br>40 (Vuxen) 600170 <i>Armrest mecanism 6100 right Compl. angle adjustable &gt;40</i>
4	ARM3112	Armstöd mekanism 6100 kpl. Vs Vänster Br>40 (Vuxen) 600169 <i>Armrest mecanism 6100 left Compl. angle adjustable &gt;40</i>
B02 1	802991	Hemiplegi mekanism för fällbara armstöd Hö+Vä <i>Hemiplegic mechanism for foldable armrest Right+Left</i>
2	802989	Hemiplegi mekanism för fällbara armstöd Höger <i>Hemiplegic mechanism for foldable armrest Right</i>
3	802990	Hemiplegi mekanism för fällbara armstöd Vänster <i>Hemiplegic mechanism for foldable armrest Left</i>
B03 1	600139	Justerratt höjd armstöd 6100 kpl <i>Adjustment knob height for foldable armrest</i>

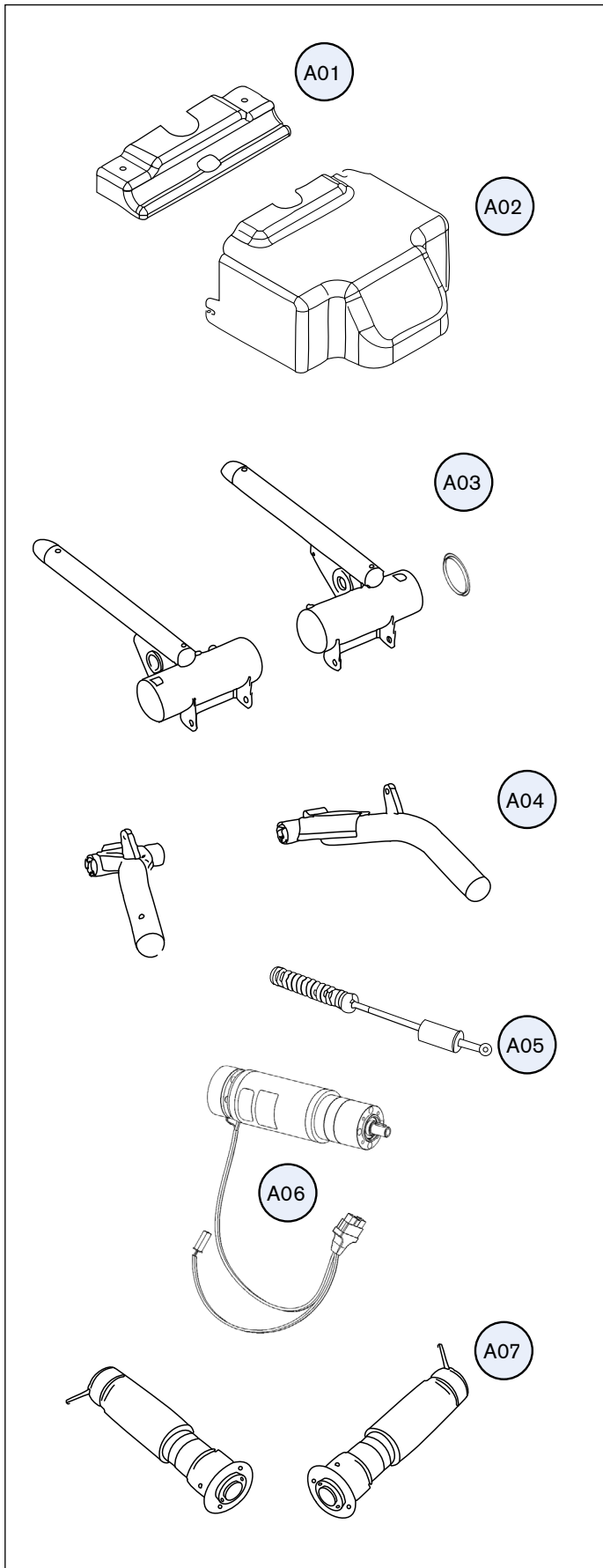
### B Armstödsmekanism fällbar Foldable armrest mechanism



# Stycklista – Chassi

## Part list – Chassis

A

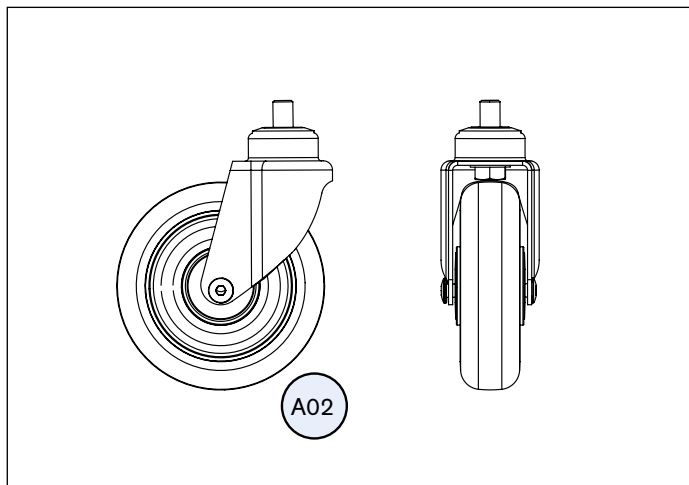


Pos	Art.nr	Benämning
Pos	Art.no	Name
A01	1 600370	Frontkåpa Mobil 6100 Plus <i>Front housing Mobile 6100 Plus</i>
	2 600406	Frontkåpa Mobil 6100 Plus med urtag för Driftdidsmätare <i>Front Housing Mobile 6100 Plus w. socket for hourmeter</i>
A02	600369	Batterikåpa Mobil 6100 Plus <i>Battery cover Mobile 6100 Plus</i>
A03	1 600375	Bakben Vänster 6100 PLUS <i>Rear leg Left</i>
	2 600376	Bakben Höger 6100 PLUS <i>Rear leg right</i>
	3 803944	Styrfläns 6100 PLUS <i>Guide flange 6100 Plus</i>
A04	1 600373	Främre ben Vänster 6100 Plus <i>Front leg left 6100 Plus</i>
	2 600374	Främre ben Höger 6100 Plus <i>Front leg right 6100 Plus</i>
A05	600390	Fjäderpaket f framben kpl f 6100 Plus <i>Springs for front legs 6100 Plus</i>
A06	803661	Drivmotor 6100 PLUS inkl broms och motorkontakt <i>Motor 6100 Plus incl. connections f. brake/motor</i>
A07	1 600393	Drivmotor Vä 6100 Plus kpl med drivaxel och hus <i>Motor left 6100 Plus c/w shaft and housing</i>
	2 600392	Drivmotor Hö 6100 Plus kpl med drivaxel och hus <i>Motor right 6100 Plus c/w shaft and housing</i>

# Stycklista – Hjul

## Part list – Castors

A01 Länkhjul  
Castors

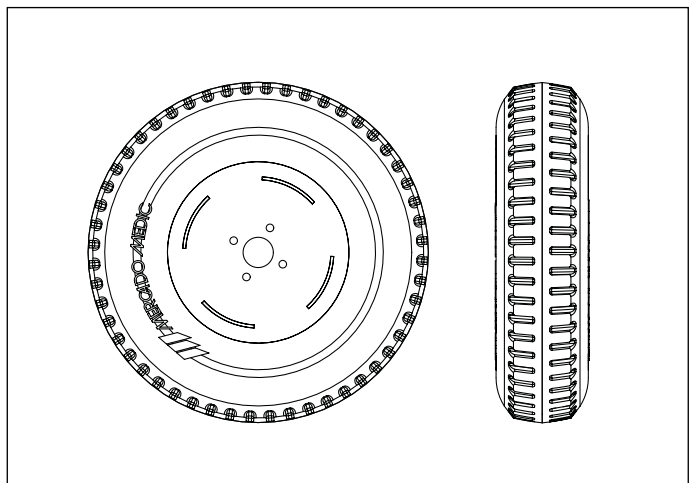


Pos	Art.nr	Benämning
Pos	Art.no	Name

A01	804362	Länkhjul Gummibana 125x36 M12 6100 PLUS Castors 125x36 M12 mm
-----	--------	--

A02	804251	Hjul med gummbana Dia 125x36 Castors without fork 125x36
-----	--------	---

B01 Drivhjul  
Engine wheel

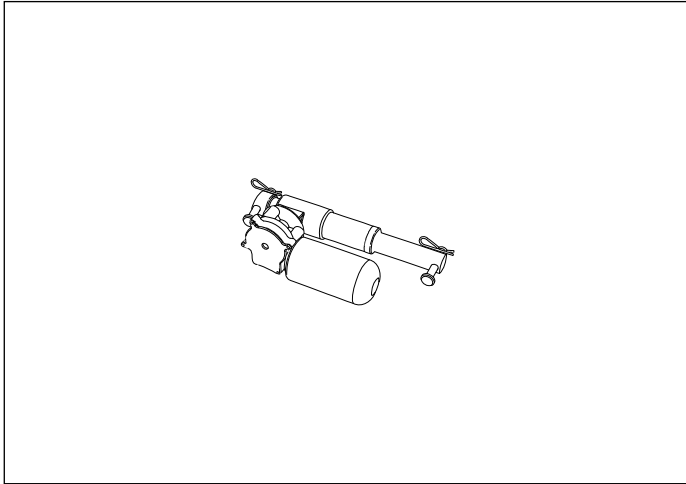


B01	804291	Drivdäck mönstrad bana kpl med fälg 6100 PLUS Motor wheel
-----	--------	--

# Stycklista – Elektronik

## Part list – Electronics

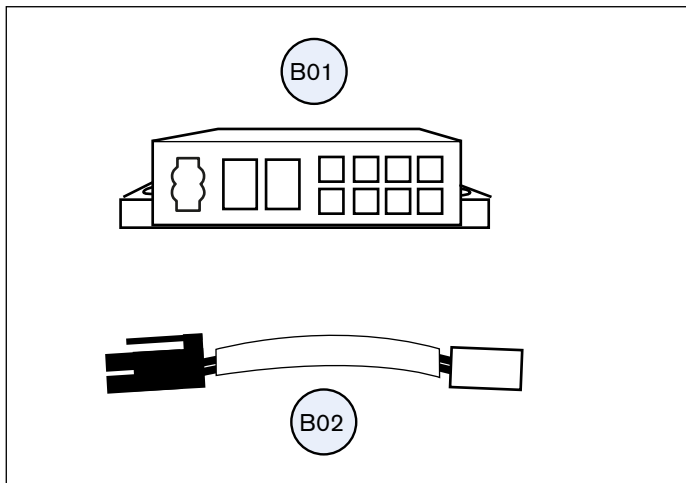
A01 Elektronik för sitsvinkling  
Electronics for seat angle adjustment



Pos	Art.nr	Benämning
Pos	Art.no	Name

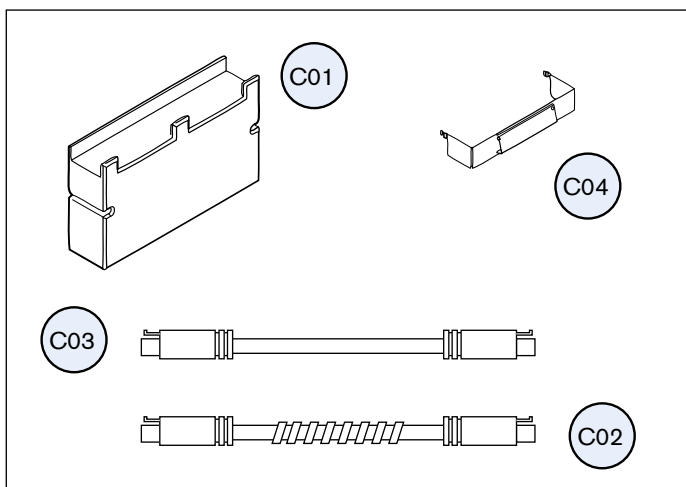
A01	1	<a href="#">SAR44</a>	Eldonssats f sitsstilt f REAL 6100 15/8 Electric kit + relaycard f seat angle 15/8
	2	<a href="#">SAR54</a>	Eldonssats f sitsstilt f REAL 6100 15/15 Electric kit + relaycard f seat angle 15/15

B Elektronik för sitsfunktioner  
Electronics for seat functions



B01	1	<a href="#">803138</a>	Fördelningsbox DX2-ACT4 4 utgångar Relaybox DX2-ACT 4
	2	<a href="#">803137</a>	Fördelningsbox DX2-ACT2 2 utgångar Relaybox DX2-ACT 2
B02		<a href="#">600365</a>	Kablage f eldon/ellyftomat DX2 ACT2/ACT4 Cabling

C Elektronik för drivning  
Electronics for drive



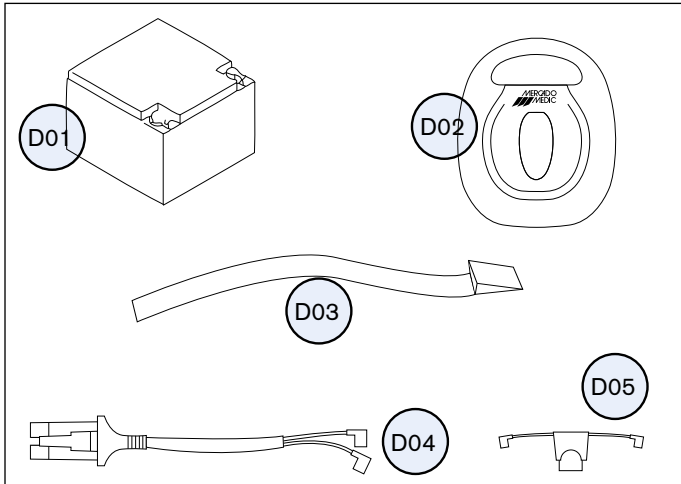
C01		<a href="#">803136</a>	Elektronik 6100 f DX/DX2 DX2-PMA70 Power module 6100 DX2 f LCD
C02		<a href="#">800035</a>	Kabel Mobil 6100 DX-Bus spiral 1-2m DX BUS curly cable 1,0-2,0m
C03		<a href="#">800060</a>	Kabel Mobil 6100 DX-Bus 1m DX BUS cable 1,0m
C04		<a href="#">600381</a>	Fäste powermodul DX2 6100 PLUS Bracket for power module DX2



# Stycklista – Elektronik

## Part list – Electronics

### D Batteri och laddare Battery and charger



Pos	Art.nr	Benämning
Pos	Art.no	Name
D01	800075	Batteri Mobil 6100 12V25A Sonnenschein A512/25G5 Battery 12V 25Ah
D02	BAC1010	Batteriladdare 6100 PLUS 4 Amp Battery charger
D03	804023	Fästband Batteri L 1200mm B 18mm f REAL 6100 PLUS Cord for battery
D04	600274	Kablage Mobil 6100 batteri-elektronik SHARK/DX2 Cabling for batteri-electronics SHARK/DX2
D05	600394	Kablage Mobil 6100 batterisäkringshållare Cabling for batteri fuse







## MERCADO SVERIGE

**Mercado Medic AB**  
Tryffelslingan 14  
181 57 Lidingö

**Telefon & Fax**  
Tel 08 555 143 00  
Fax 08 555 143 99

**Email & Internet**  
Email [info@mercado.se](mailto:info@mercado.se)  
Internet [www.mercado.se](http://www.mercado.se)



## MERCADO NETHERLANDS

**Mercado Medic  
Nederland BV**  
Nobelweg 22  
3899 BN Zeewolde

**Phone & Fax**  
Tel +31 (0) 36 521 99 95  
Fax +31 (0) 36 521 99 90

**Email & Internet**  
Email [info@mercado-medice.nl](mailto:info@mercado-medice.nl)  
Internet [www.mercado-medice.nl](http://www.mercado-medice.nl)



## MERCADO UK

**Mercado Medic UK Ltd**  
PO Box 4818  
Warwick, CV34 9GB

**Phone & Fax**  
Ph +44-(0)844 561 6874  
Fax +44-(0)844 561 6875

**Email & Internet**  
Email [info@mercado-medice.co.uk](mailto:info@mercado-medice.co.uk)  
Internet [www.mercado-medice.co.uk](http://www.mercado-medice.co.uk)



## MERCADO GERMANY

**Mercado Medic Deutschland GmbH**  
Augustinusstraße 11e  
50226 Frechen Königsdorf

**Telefon**  
T. +49 2234 809 85 87

**E-mail und Internet**  
[info@mercadomedic.de](mailto:info@mercadomedic.de)  
[www.mercadomedic.de](http://www.mercadomedic.de)



## MERCADO NORGE

**Sunrise Medical AS**  
Delitoppen 3  
1540 Vestby, Norge

**Telefon & Telefaks**  
Telefon: +47 (0) 66 96 38 00  
Telefaks: +47 (0) 66 96 38 80

**Epost & internett**  
Epost: [post@sunrisemedical.no](mailto:post@sunrisemedical.no)  
Internett: [www.sunrisemedical.no](http://www.sunrisemedical.no)