



REAL[®] 2000

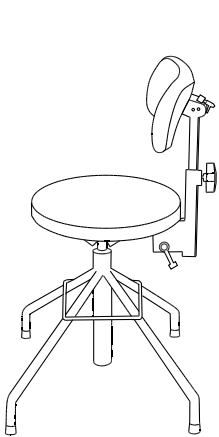
CE

**INSTRUCTIONS FOR USE AND CARE
REAL 2000**

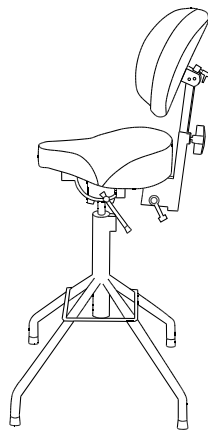
Article No. 803418
Changed 111102
Valid from 030401

REAL 2000 is people who need to relieve the strain on hip/knee or ankle in connection with tasks that require standing up. And for people with tasks that require a seated, forwardleaning posture.

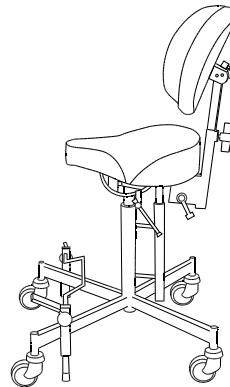
The REAL-chair with the following specifications are registered as CE labeled products in accordance with the statute-book for medical-technical products, LVFS 2003:11 (M), issued by the National Swedish Medical products agency.



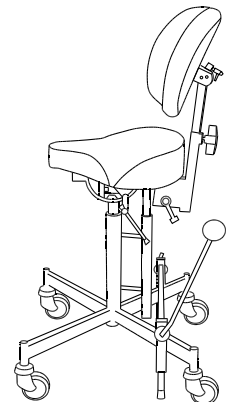
REAL 2001



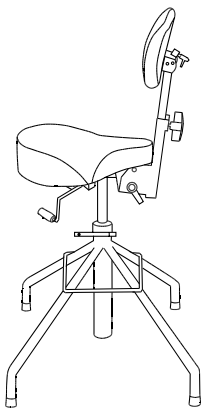
REAL 2011



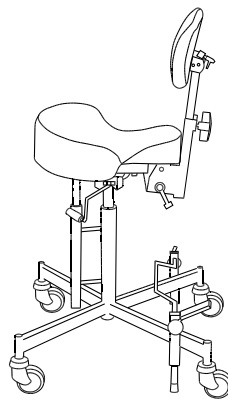
REAL 2014



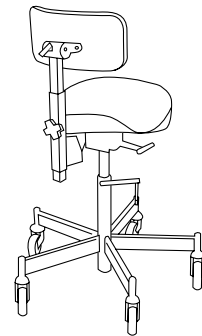
REAL 2015



REAL 2621



REAL 2624



REAL 2625



Mercado Medic AB
Tryffelslingan 14
181 57 Lidingö
Sweden

Telefon & Fax
Tel +46 8 555 143 00
Fax +46 8 555 143 99

Email & Internet
Email info@mercado.se
Internet www.mercado.se

IMPORTANT INFORMATION & CLASS

The REAL chair has exchangeable components, accessories and functions that can be adjusted to suit individual needs. The chair should only be used by the person and for the purpose for which it was originally intended. The chair is designed for indoor use and should not be exposed to water, other fluids or chemicals nor should it be exposed to high temperatures intensive sunlight or similar. The chair may not be equipped with other accessories or components than those approved by Mercado Medic. Repairs and other technical adjustments may only be carried out by personnel authorized by Mercado Medic. Please read through these instructions carefully before using your chair.

- Max user weight: REAL 2000 130 kg.
- The chair must be transported in designated boxes on pallets, and must be stored indoors at minimum +10°C.
- This symbol warns of the danger of crushing.



GET ACQUAINTED WITH YOUR REAL 2000

PRE-USE INSPECTION CHECKLIST

1. Slide the backrest onto the designated pole and tighten the knob that allows you to alter the height of the backrest.
2. Insert the brake lever into the designated bracket (right or left side).
3. Make sure all knobs and levers are secure and tightened before using the chair.
4. When getting in or out of the chair make sure that the brake is always applied.
5. Tighten the seat angle properly before using the chair. Tighten the seat tilt on a regular basis.

GUIDELINES FOR INDIVIDUAL ADAPATATION OF MERCADO MEDICS PRODUCTS

Adjustments are only to be made by Mercado Medic Certified personnel.

Only approved products from the following list can be fitted to Mercado Medic chairs without compromising The CE certification. <http://mercado.se/int/technical-information>

If other products, not in the pre-approved list, are to be fitted to a Mercado Chair, written approval has to be obtained from Mercado Medic AB.

Non approved products must physically be sent to Mercado Medic AB for evaluation. Mercado Medic will contact the product distributor/Manufacturer to establish whether the product can be included under current agreements. Mercado Medic will then perform a risk assessment before issuing a written approval.

Changes made to any Mercado Medic chair has to be approved by Mercado Medic AB for Mercado Medic AB to sustain product responsibility in accordance with the following policy.

- Upholstery (Seats, Back rests, Arm rests, Side support, Trunk support and Head rests) can be altered in accordance with recommended sizes for the product in question.
- Centre of Gravity must be kept centred above (Lift) actuator to maintain ultimate performance and can never be fitted outside of the base area (The area inside the mounting points of the castor wheels).
- Upholstery must comply with current Furniture and Furnishings Fire Safety Regulations and other environmental regulation.

If these guidelines are followed Mercado Medic will maintain product responsibility for the product in question.

Enquiries regarding product adaptation please contact Andreas Teske:

Phone +46 8 555 143 19 E-mail andreas.teske@mercado.se

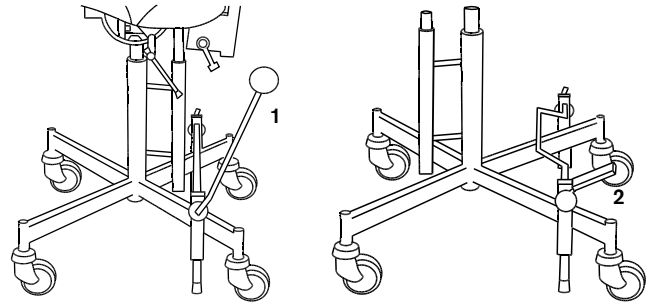
BRAKE

Note! When getting in or out of the chair make sure that the brake is always applied.

The brakes should be checked regularly. The rubber brake blocks can be replaced after wear and tear. Braking function may be impaired on an uneven surface.

THERE ARE TWO TYPES OF BRAKE:

Handbrake and footbrake.



CONTROL

1. Handbrake, pull lever forward
2. Footbrake, push the pedal down

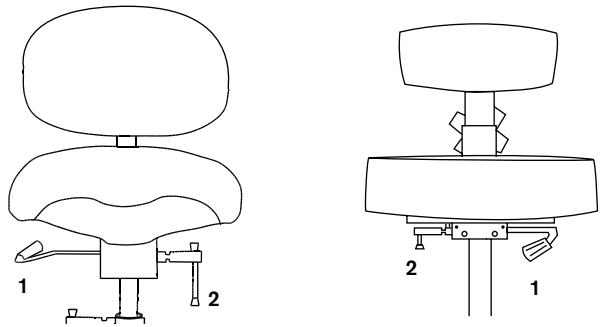
SEAT HEIGHT & ROTATION RELEASE

Note! Make sure that the rotation is locked.

If the chair's rotation is not locked be careful when mounting/get off it.

CONTROL

1. Seat height. Gas spring - pull the lever upward.
The seat can not be burdened when the height is raised.
2. Rotation. Turn counterclockwise to release, turn clockwise to lock.

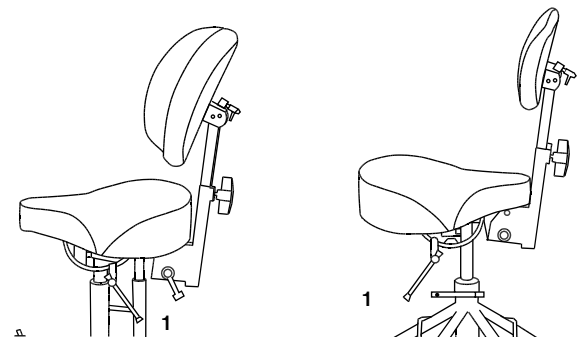


SEAT TILT

Note! Tighten the seat tilt properly before using the chair. Tighten the seat tilt on a regular basis.

CONTROL

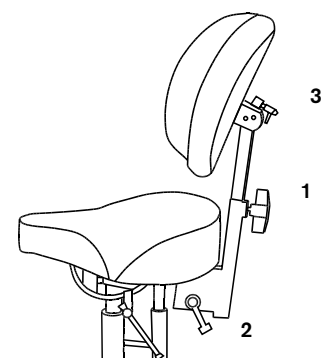
1. Seat angle. Loosen the knob, apply desired seat tilt.
Tighten the knob.



BACKREST MECHANISM

CONTROL

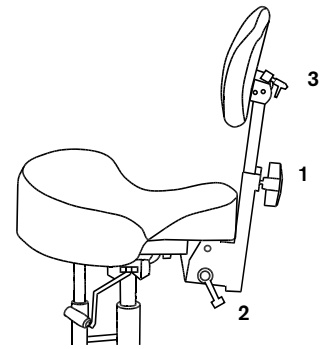
1. Height
2. Backrest mechanism angle
3. Backrest angle



CHEST SUPPORT

CONTROL

1. Height
2. Angle of chest support
3. Angle of på chestplate



CLEANING AND MAINTENANCE

The chair must be wiped clean and kept dirt and dust free. Clean the upholstery with foamwash

1. Remove dirt, crumbs etc.
2. Apply a thin layer of foam, use a moist cloth to wipe the foam in an equally thick layer.
3. Swab with a clean and damp cloth.
4. Vacuum when dry

The seat, back support and other upholstered parts are not made from sealed materials for functional reasons. For

hygienic reasons, whenever the upholstery is replaced, the seat and upholstery filling must also be replaced.

The lifting device must be checked regularly for dirt, dust and stability: Move the seat up to the highest position. Clean with a dry cloth. Do not use water or solvents. Lubricate the cylinder with a thin film of teflon- or silicon-based grease.